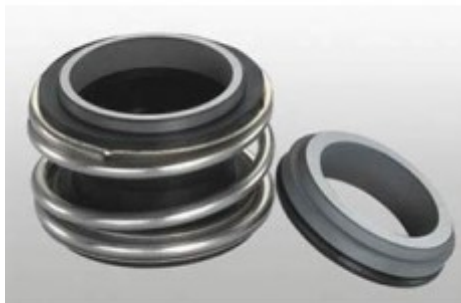


VANDENS SIURBLIAI, UAB  
Įmonės kodas 144708571  
PVM kodas LT447085716  
Girulių g. 24, Šiauliai  
LT78138, Lietuva



## **MECHANINIS SANDARIKLIS TSMG1-43 (G60) CA/CE/NBR/SS304 - 138.1 €**

### **Gamintojas**

---



### **APRAŠYMAS:**

---

Mechaninis sandariklis modelis MG1 gali pakeisti „AESSEAL B02“, „BURGMANN MG1“, „FLOWSERVE 190“ ir „MTU FG1“, kuris yra plačiai naudojamas „Hecker HN 410SU“ ir kitų rūšių siurbliams. Įprastas medžiagų derinys apima: anglis / keramika / nbr / ss304, anglies dervos / keramika / nbr / ss304 /, sic / sic / nbr / ss304, tc / tc / nbr / ss316 ir pan. Mechaninis sandariklis modelis MG12 gali pakeisti „AESSEAL B012“, „BURGMANN MG12“, „FLOWSERVE 192“ ir „MTU FG2“, kuris yra plačiai naudojamas „Hecker HN 410KU“ ir kitų rūšių siurbliams. Įprastas medžiagų derinys apima: anglis / keramika / nbr / ss304, anglies dervos / keramika / nbr / ss304 /, sic / sic / nbr / ss304, tc / tc / nbr / ss316 ir pan. TS MG1 (TSG) TS MG12 (TSG2) Sukamasis žiedas (anglis / SiC / TC) Stacionarus žiedas (keramikinis / SiC / TC) Antrinis sandariklis (NBR / EPDM / VITON) Spyruoklė ir kitos dalys (SUS304 / SUS316) TS MG1 TS MG12 serijos mechaninių sandariklių veikimo ribos: Slėgis: ≤1,2MPa Greitis: ≤10m / s Temperatūra: -20 °C ~ + 120 °C Gamintojas:



Kontenerio dydis (mm)	Tilpumas				
	V	m <sup>3</sup>	m <sup>3</sup>	m <sup>3</sup>	m <sup>3</sup>
4	4	970	960	950	940
6	6	1455	1440	1425	1410
8	8	1940	1920	1905	1890
10	10	2425	2400	2385	2370
12	12	2910	2880	2865	2850
14	14	3395	3360	3345	3330
16	16	3880	3840	3825	3810
18	18	4365	4320	4305	4290
20	20	4850	4800	4785	4770
22	22	5335	5280	5265	5250
24	24	5820	5760	5745	5730
26	26	6305	6240	6225	6210
28	28	6790	6720	6705	6690
30	30	7275	7200	7185	7170
32	32	7760	7680	7665	7650
34	34	8245	8160	8145	8130
36	36	8730	8640	8625	8610
38	38	9215	9120	9105	9090
40	40	9700	9600	9585	9570
42	42	10185	10080	10065	10050
44	44	10670	10560	10545	10530
46	46	11155	11040	11025	11010
48	48	11640	11520	11505	11490
50	50	12125	12000	11985	11970
52	52	12610	12480	12465	12450
54	54	13095	12960	12945	12930
56	56	13580	13440	13425	13410
58	58	14065	13920	13905	13890
60	60	14550	14400	14385	14370
62	62	15035	14880	14865	14850
64	64	15520	15360	15345	15330
66	66	16005	15840	15825	15810
68	68	16490	16320	16305	16290
70	70	16975	16800	16785	16770
72	72	17460	17280	17265	17250
74	74	17945	17760	17745	17730
76	76	18430	18240	18225	18210
78	78	18915	18720	18705	18690
80	80	19400	19200	19185	19170
82	82	19885	19680	19665	19650
84	84	20370	20160	20145	20130
86	86	20855	20640	20625	20610
88	88	21340	21120	21105	21090
90	90	21825	21600	21585	21570
92	92	22310	22080	22065	22050
94	94	22795	22560	22545	22530
96	96	23280	23040	23025	23010
98	98	23765	23520	23505	23490
100	100	24250	24000	23985	23970

[TRISUN](#) Sandariklio matmenys pateikti lentelėje:

## TS MG1(TSG) TS MG12(TSG2)

技术参数:

压力:  $\leq 1.2\text{MPa}$

线速度:  $\leq 10\text{m/s}$

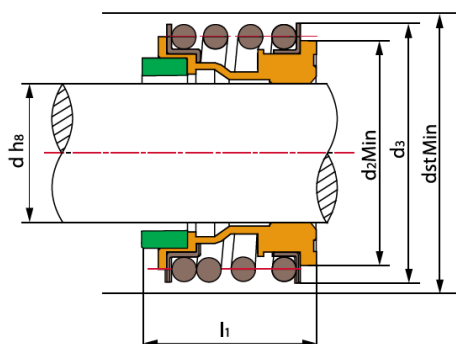
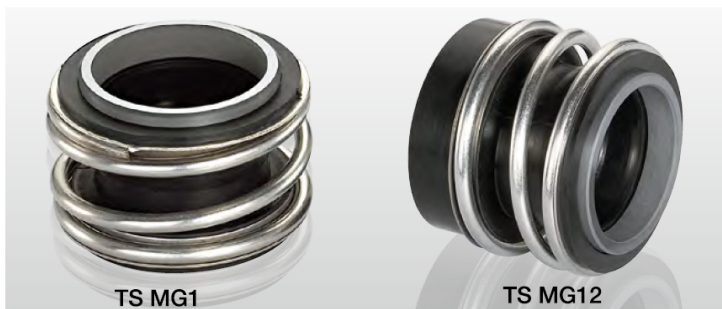
温度:  $-20^{\circ}\text{C} \sim +120^{\circ}\text{C}$

### Operating Limits

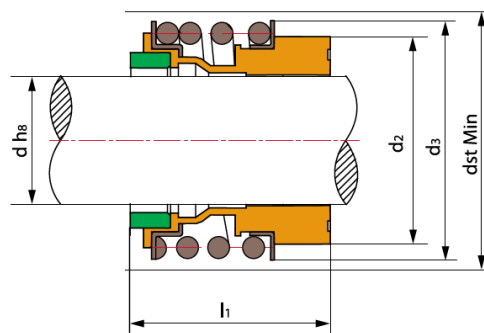
Pressure:  $\leq 1.2\text{MPa}$

Speed:  $\leq 10\text{m/s}$

Temperature:  $-20^{\circ}\text{C} \sim +120^{\circ}\text{C}$



- 动环(石墨/碳化硅/碳化钨)
- 静环(陶瓷/碳化硅/碳化钨)
- 辅助密封(丁腈胶/三元乙丙胶/氟胶)
- 弹簧及其它金属件(不锈钢)



- Rotary Ring (Carbon/SiC/TC)
- Stationary Ring (Ceramic/SiC/TC)
- Secondary Seal (NBR/EPDM/VITON)
- Spring & Other Parts (SUS304/SUS316)

TS MG1					
Seal size d(mm)	d	d <sub>2</sub>	d <sub>3</sub>	d <sub>st</sub>	l <sub>1</sub>
8	8	17.5	19.0	23	12.5
10	10	20.5	22.5	24	14.5
12	12	22.5	25.0	26	15.0
14	14	26.5	28.5	30	17.0
15	15	26.5	28.5	30	17.0
16	16	26.5	28.5	30	17.0
18	18	29.0	32.0	33	19.5
19	19	33.0	37.0	38	21.5
20	20	33.0	37.0	38	21.5
22	22	33.0	37.0	38	21.5
24	24	38.0	42.5	44	22.5
25	25	38.0	42.5	44	23.0
28	28	44.0	49.0	50	26.5
30	30	44.0	49.0	50	26.5
32	32	46.0	53.5	55	27.5
33	33	46.0	53.5	55	27.5
35	35	50.0	57.0	59	28.5
38	38	53.0	59.0	61	30.0
40	40	55.0	62.0	64	30.0
42	42	58.0	65.5	67	30.0
43	43	58.0	65.5	67	30.0
45	45	60.0	68.0	70	30.0
48	48	63.0	70.5	74	30.5
50	50	65.0	74.0	77	30.5
53	53	70.0	78.5	81	33.0
55	55	72.0	81.0	83	35.0
58	58	75.0	85.5	88	37.0
60	60	79.0	88.5	91	38.0
65	65	84.0	93.5	96	40.0
68	68	88.0	96.5	100	40.0
70	70	90.0	99.5	103	40.0
75	75	95.0	107.0	110	40.0
80	80	100.0	112.0	116	40.0
85	85	107.0	120.0	124	41.0
90	90	114.0	127.0	131	45.0
95	95	119.0	132.0	136	46.0
100	100	124.0	137.0	140	47.0

TS MG12					
Seal size d(mm)	d	d <sub>2</sub>	d <sub>st</sub>	d <sub>3</sub>	l <sub>1</sub>
10	10	20.5	24	22.5	25.9
12	12	22.5	26	25.0	25.9
14	14	26.5	30	28.5	28.4
16	16	26.5	30	28.5	28.4
18	18	29.0	33	32.0	30.0
20	20	33.0	38	37.0	30.0
22	22	33.0	38	37.0	30.0
24	24	38.0	44	42.5	32.5
25	25	38.0	44	42.5	32.5
28	28	44.0	50	49.0	35.0
30	30	44.0	50	49.0	35.0
32	32	46.0	55	53.5	35.0
33	33	46.0	55	53.5	35.0
35	35	50.0	59	57.0	35.0
38	38	53.0	61	59.0	36.0
40	40	55.0	64	62.0	36.0
43	43	58.0	67	65.5	36.0
45	45	60.0	70	68.0	36.0
48	48	63.0	74	70.5	36.0
50	50	65.0	77	74.0	38.0
53	53	70.0	81	78.5	36.5
55	55	72.0	83	81.0	36.5
58	58	75.0	88	85.5	41.5
60	60	79.0	91	88.5	41.5
65	65	84.0	96	93.5	41.5
68	68	88.0	100	96.5	41.2
70	70	90.0	103	99.5	48.7
75	75	95.0	110	107.0	48.7
80	80	100.0	116	112.0	48.0
85	85	107.0	124	120.0	46.0
90	90	114.0	131	127.0	51.0
95	95	119.0	136	132.0	51.0
100	100	124.0	140	137.0	51.0