

VANDENS SIURBLIAI, UAB  
Įmonės kodas 144708571  
PVM kodas LT447085716  
Girulių g. 24, Šiauliai  
LT78138, Lietuva



## **MECHANINIS SANDARIKLIS TSCR-12 SIC/SIC/VITON/SUS304 - 290.4 €**

### **Gamintojas**

---



### **APRAŠYMAS:**

---

Sandarikliai: TS CR serija

Veikimo ribos:

Slėgis:  $\leq 1,0$ MPa

Sukimosi greitis:  $\leq 10$ m / s

Temperatūra:  $-30$  °C ~  $+ 180$  °C

Medžiagos:

Sukamasis žiedas (SiC / TC)

Stacionarus žiedas (SiC / TC)

Antrinis sandariklis (NBR / VITON)

Spyruoklė ir kitos dalys (SUS304 / SUS316)

Šie mechaniniai sandarikliai naudojami nerūdijančio plieno vertikaliems daugiapakopiams išcentriniam siurbliams.

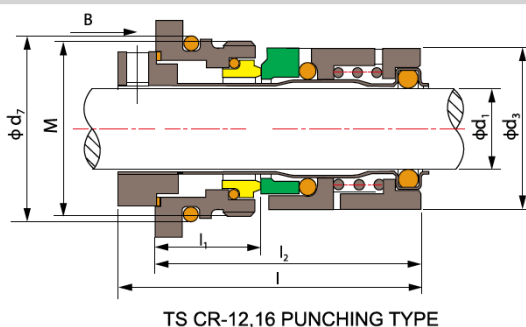
Jie yra tinkami naudoti „Grundfos“ siurbliuose:

CR1 / CR3 / CR5 / CR10 / CR15 / CR20 / CR32 / CR45 / CR64 / CR90 vandens siurbliai, O-žiedo tipo  
 CRN1 / CRN3 / CRN5 / CRN10 / CRN15 / CRN20 / CRN32 / CRN45 / CRN64 / CRN90 vandens  
 siurbliai, O-žiedo tipo

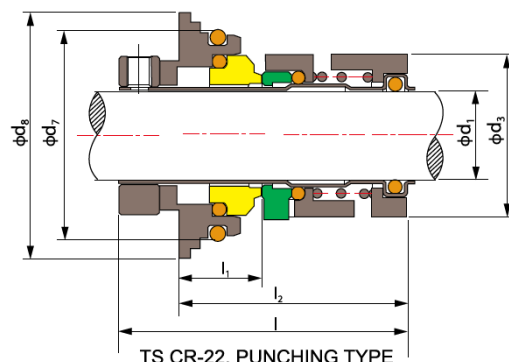
Matmenys:

TRISUN 三昇

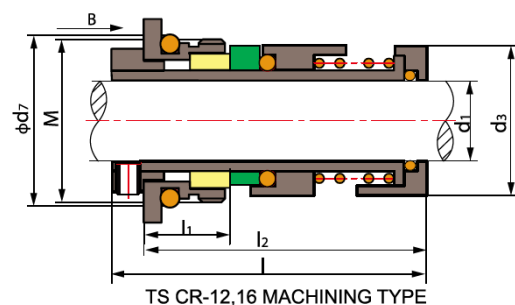
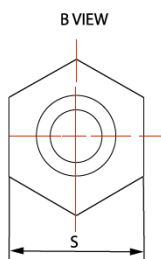
www.trisunltd.com  
 ISO9001 & TS16949



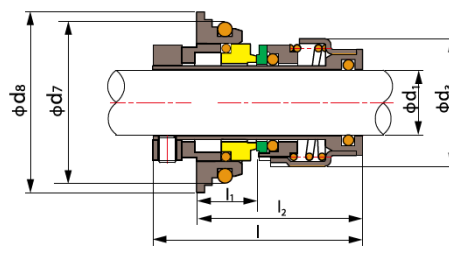
TS CR-12,16 PUNCHING TYPE



TS CR-22, PUNCHING TYPE



TS CR-12,16 MACHINING TYPE



TS CR-22 MACHINING TYPE

**Operating Limits**

Pressure:  $\leq 1.0\text{MPa}$   
 Speed:  $\leq 10\text{m/s}$   
 Temperature:  $-30^\circ\text{C} \sim +180^\circ\text{C}$

- Rotary Ring (SiC/TC)
- Stationary Ring (SiC/TC)
- Secondary Seal (NBR/VITON)
- Spring & Other Parts (SUS304/SUS316)

Model	$d_1$	$d_3$	$d_7$	$d_8$	M	I	$l_1$	$l_2$	S
CR-12	12	25.0	29	\	M28X1.5	55	19	29.0	35.8
CR-16	16	30.5	34	\	M33X1.5	57.5	20	30.5	40.8
CR-22 PUNCH	22	39.0	50	59	\	70.0	20	55.0	\
CR-22 MACHINING	22	42.0	50	60	\	70.0	20	55.0	\

**Mechanical seals used for stainless steel vertical multistage centrifugal pump**

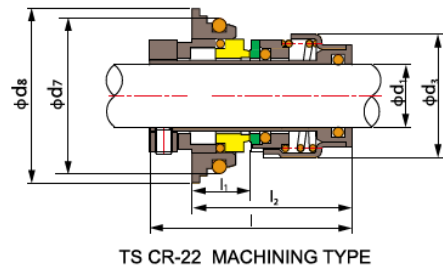
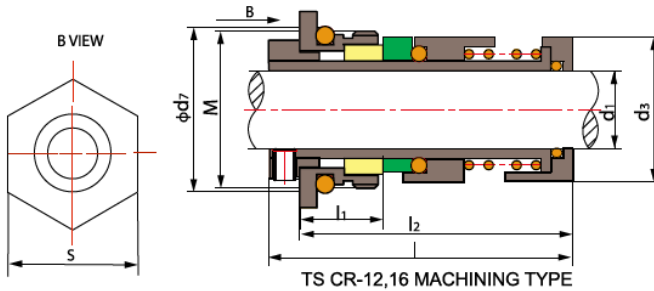
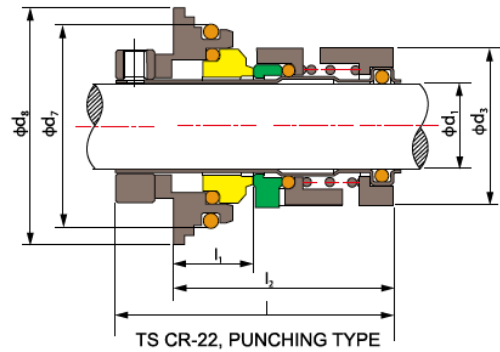
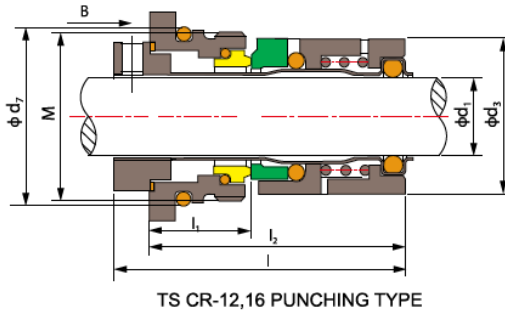
It is suitable to GRUNDFOS pumps:

CR1, 3, 5, 10, 15, 20, 32, 45, 64, 90 Ordinary machine—seal of water pump, O ring assembly type;  
 CRN1, 3, 5, 10, 15, 20, 32, 45, 64, 90 Ordinary machine—seal of water pump, O ring assembly type;

NEW

TRISUN

www.trisunltd.com  
ISO9001 & TS16949



## TS CR

### 技术参数:

压力:  $\leq 1.0\text{MPa}$   
线速度:  $\leq 10\text{m/s}$   
温度:  $-30^\circ\text{C} \sim +180^\circ\text{C}$

- 动环(碳化硅/碳化钨)
- 静环(碳化硅/碳化钨)
- 辅助密封(丁腈胶/氟胶)
- 弹簧及其他金属件(不锈钢)

### Operating Limits

Pressure:  $\leq 1.0\text{MPa}$   
Speed:  $\leq 10\text{m/s}$   
Temperature:  $-30^\circ\text{C} \sim +180^\circ\text{C}$

- Rotary Ring (SiC/TC)
- Stationary Ring (SiC/TC)
- Secondary Seal (NBR/VITON)
- Spring & Other Parts (SUS304/SUS316)

Model	$d_1$	$d_3$	$d_7$	$d_8$	M	l	$l_1$	$l_2$	S
CR-12	12	25.0	29	\	M28X1.5	55	19	29.0	35.8
CR-16	16	30.5	34	\	M33X1.5	57.5	20	30.5	40.8
CR-22 PUNCH	22	39.0	50	59	\	70.0	20	55.0	\
CR-22 MACHINING	22	42.0	50	60	\	70.0	20	55.0	\

### 不锈钢立式多级离心泵用机械密封

适配于格兰富:

CR1, 3, 5, 10, 15, 20, 32, 45, 64, 90 水泵常规机封, O 形圈集装式结构

CRN1, 3, 5, 10, 15, 20, 32, 45, 64, 90 水泵常规机封, O 形圈集装式结构

### Mechanical seals used for stainless steel vertical multistage centrifugal pump

It is suitable to GRUNDFOS pumps:

CR1, 3, 5, 10, 15, 20, 32, 45, 64, 90 Ordinary machine—seal of water pump, O ring assembly type;

CRN1, 3, 5, 10, 15, 20, 32, 45, 64, 90 Ordinary machine—seal of water pump, O ring assembly type;