

VANDENS SIURBLIAI, UAB
Įmonės kodas 144708571
PVM kodas LT447085716
Girulių g. 24, Šiauliai
LT78138, Lietuva



MECHANINIS SANDARIKLIS TSCR-12 SiC/TC/VITON/SUS304 - 290.4 €

Gamintojas



APRAŠYMAS:

Sandarikliai: TS CR serija

Veikimo ribos:

Slėgis: $\leq 1,0$ MPa

Sukimosi greitis: ≤ 10 m / s

Temperatūra: -30 °C ~ $+ 180$ °C

Medžiagos:

Sukamasis žiedas (SiC / TC)

Stacionarus žiedas (SiC / TC)

Antrinis sandariklis (NBR / VITON)

Spyruoklė ir kitos dalys (SUS304 / SUS316)

Šie mechaniniai sandarikliai naudojami nerūdijančio plieno vertikaliems daugiapakopiams išcentriniam siurbliams.

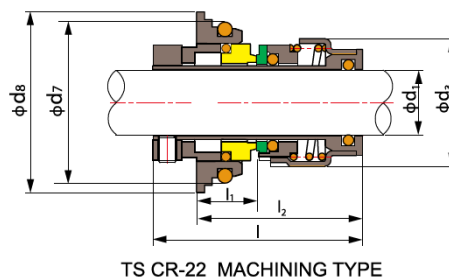
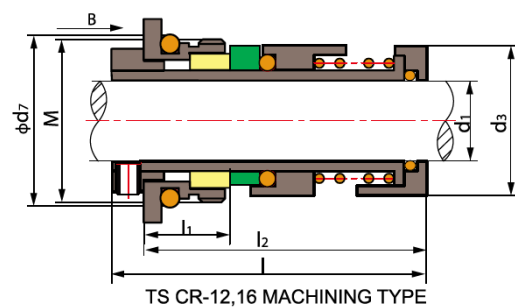
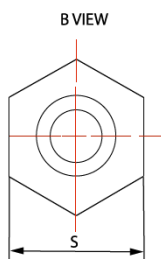
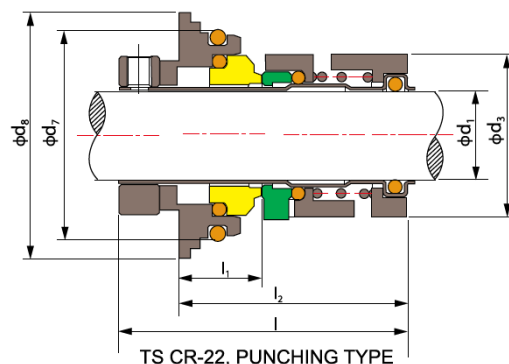
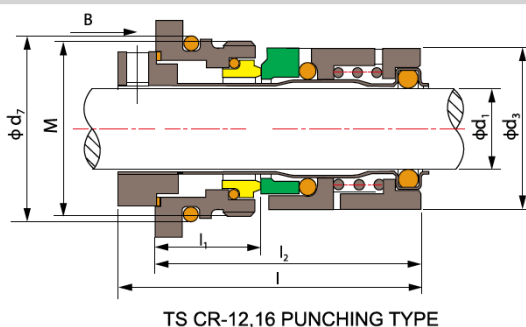
Jie yra tinkami naudoti „Grundfos“ siurbliuose:

CR1 / CR3 / CR5 / CR10 / CR15 / CR20 / CR32 / CR45 / CR64 / CR90 vandens siurbliai, O-žiedo tipo
 CRN1 / CRN3 / CRN5 / CRN10 / CRN15 / CRN20 / CRN32 / CRN45 / CRN64 / CRN90 vandens
 siurbliai, O-žiedo tipo

Matmenys:

TRISUN 三昇

www.trisunltd.com
 ISO9001 & TS16949



Operating Limits

Pressure: $\leq 1.0\text{MPa}$
 Speed: $\leq 10\text{m/s}$
 Temperature: $-30^\circ\text{C} \sim +180^\circ\text{C}$

- Rotary Ring (SiC/TC)
- Stationary Ring (SiC/TC)
- Secondary Seal (NBR/VITON)
- Spring & Other Parts (SUS304/SUS316)

Model	d_1	d_3	d_7	d_8	M	I	l_1	l_2	S
CR-12	12	25.0	29	\	M28X1.5	55	19	29.0	35.8
CR-16	16	30.5	34	\	M33X1.5	57.5	20	30.5	40.8
CR-22 PUNCH	22	39.0	50	59	\	70.0	20	55.0	\
CR-22 MACHINING	22	42.0	50	60	\	70.0	20	55.0	\

Mechanical seals used for stainless steel vertical multistage centrifugal pump

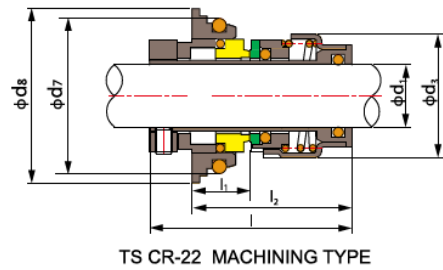
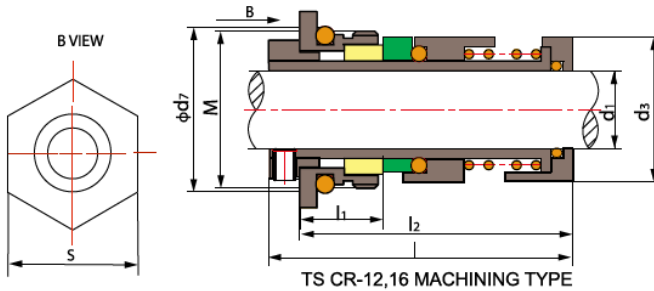
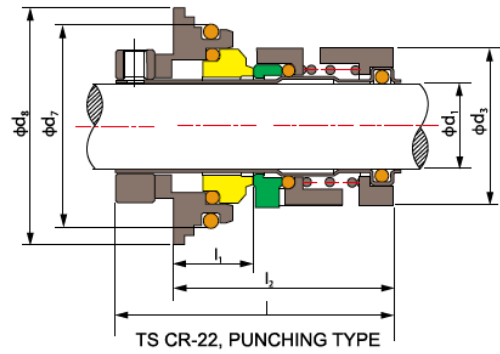
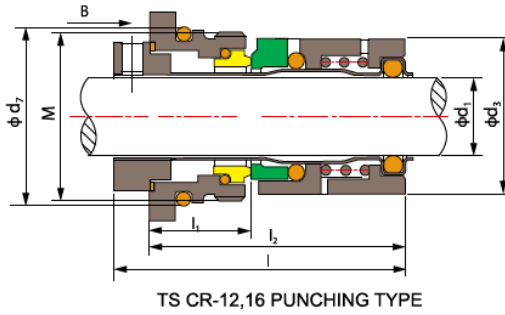
It is suitable to GRUNDFOS pumps:

CR1, 3, 5, 10, 15, 20, 32, 45, 64, 90 Ordinary machine—seal of water pump, O ring assembly type;
 CRN1, 3, 5, 10, 15, 20, 32, 45, 64, 90 Ordinary machine—seal of water pump, O ring assembly type;

NEW

TRISUN

www.trisunltd.com
ISO9001 & TS16949



TS CR

技术参数:

压力: $\leq 1.0\text{MPa}$
线速度: $\leq 10\text{m/s}$
温度: $-30^{\circ}\text{C} \sim +180^{\circ}\text{C}$

- 动环(碳化硅/碳化钨)
- 静环(碳化硅/碳化钨)
- 辅助密封(丁腈胶/氟胶)
- 弹簧及其他金属件(不锈钢)

Operating Limits

Pressure: $\leq 1.0\text{MPa}$
Speed: $\leq 10\text{m/s}$
Temperature: $-30^{\circ}\text{C} \sim +180^{\circ}\text{C}$

- Rotary Ring (SiC/TC)
- Stationary Ring (SiC/TC)
- Secondary Seal (NBR/VITON)
- Spring & Other Parts (SUS304/SUS316)

Model	d_1	d_3	d_7	d_8	M	l	l_1	l_2	S
CR-12	12	25.0	29	\	M28X1.5	55	19	29.0	35.8
CR-16	16	30.5	34	\	M33X1.5	57.5	20	30.5	40.8
CR-22 PUNCH	22	39.0	50	59	\	70.0	20	55.0	\
CR-22 MACHINING	22	42.0	50	60	\	70.0	20	55.0	\

不锈钢立式多级离心泵用机械密封

适配于格兰富:

CR1, 3, 5, 10, 15, 20, 32, 45, 64, 90 水泵常规机封, O 形圈集装式结构

CRN1, 3, 5, 10, 15, 20, 32, 45, 64, 90 水泵常规机封, O 形圈集装式结构

Mechanical seals used for stainless steel vertical multistage centrifugal pump

It is suitable to GRUNDFOS pumps:

CR1, 3, 5, 10, 15, 20, 32, 45, 64, 90 Ordinary machine—seal of water pump, O ring assembly type;

CRN1, 3, 5, 10, 15, 20, 32, 45, 64, 90 Ordinary machine—seal of water pump, O ring assembly type;