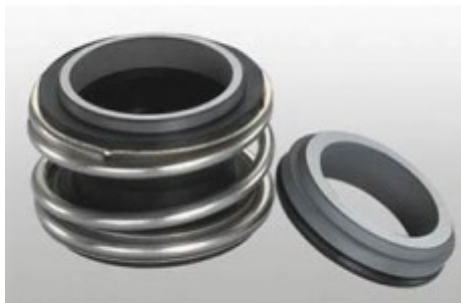


VANDENS SIURBLIAI, UAB
Įmonės kodas 144708571
PVM kodas LT447085716
Girulių g. 24, Šiauliai
LT78138, Lietuva



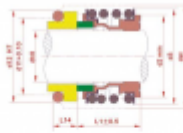
MECHANINIS SANDARIKLIS TSMG1-38 (G60) SIC/TC/VIT/SS304 - 117.77 €

Gamintojas



APRAŠYMAS:

Mechaninis sandariklis modelis MG1 gali pakeisti „AESSEAL B02“, „BURGMANN MG1“, „FLOWSERVE 190“ ir „MTU FG1“, kuris yra plačiai naudojamas „Hecker HN 410SU“ ir kitų rūšių siurbliams. Įprastas medžiagų derinys apima: anglis / keramika / nbr / ss304, anglies dervos / keramika / nbr / ss304 /, sic / sic / nbr / ss304, tc / tc / nbr / ss316 ir pan. Mechaninis sandariklis modelis MG12 gali pakeisti „AESSEAL B012“, „BURGMANN MG12“, „FLOWSERVE 192“ ir „MTU FG2“, kuris yra plačiai naudojamas „Hecker HN 410KU“ ir kitų rūšių siurbliams. Įprastas medžiagų derinys apima: anglis / keramika / nbr / ss304, anglies dervos / keramika / nbr / ss304 /, sic / sic / nbr / ss304, tc / tc / nbr / ss316 ir pan. TS MG1 (TSG) TS MG12 (TSG2) Sukamasis žiedas (anglis / SiC / TC) Stacionarus žiedas (keramikinis / SiC / TC) Antrinis sandariklis (NBR / EPDM / VITON) Spyruoklė ir kitos dalys (SUS304 / SUS316) TS MG1 TS MG12 serijos mechaninių sandariklių veikimo ribos: Slėgis: ≤1,2MPa Greitis: ≤10m / s Temperatūra: -20 °C ~ + 120 °C Gamintojas:



Sąrašo numeras (ilgumai)	Ilgumai				
	L	l ₁	l ₂	l ₃	l ₄
1	4	970	960	950	940
2	10	2010	2000	1990	1980
3	15	3010	3000	2990	2980
4	20	4010	4000	3990	3980
5	25	5010	5000	4990	4980
6	30	6010	6000	5990	5980
7	35	7010	7000	6990	6980
8	40	8010	8000	7990	7980
9	45	9010	9000	8990	8980
10	50	10010	10000	9990	9980
11	55	11010	11000	10990	10980
12	60	12010	12000	11990	11980
13	65	13010	13000	12990	12980
14	70	14010	14000	13990	13980
15	75	15010	15000	14990	14980
16	80	16010	16000	15990	15980
17	85	17010	17000	16990	16980
18	90	18010	18000	17990	17980
19	95	19010	19000	18990	18980
20	100	20010	20000	19990	19980
21	105	21010	21000	20990	20980
22	110	22010	22000	21990	21980
23	115	23010	23000	22990	22980
24	120	24010	24000	23990	23980
25	125	25010	25000	24990	24980
26	130	26010	26000	25990	25980
27	135	27010	27000	26990	26980
28	140	28010	28000	27990	27980
29	145	29010	29000	28990	28980
30	150	30010	30000	29990	29980
31	155	31010	31000	30990	30980
32	160	32010	32000	31990	31980
33	165	33010	33000	32990	32980
34	170	34010	34000	33990	33980
35	175	35010	35000	34990	34980
36	180	36010	36000	35990	35980
37	185	37010	37000	36990	36980
38	190	38010	38000	37990	37980
39	195	39010	39000	38990	38980
40	200	40010	40000	39990	39980
41	205	41010	41000	40990	40980
42	210	42010	42000	41990	41980
43	215	43010	43000	42990	42980
44	220	44010	44000	43990	43980
45	225	45010	45000	44990	44980
46	230	46010	46000	45990	45980
47	235	47010	47000	46990	46980
48	240	48010	48000	47990	47980
49	245	49010	49000	48990	48980
50	250	50010	50000	49990	49980
51	255	51010	51000	50990	50980
52	260	52010	52000	51990	51980
53	265	53010	53000	52990	52980
54	270	54010	54000	53990	53980
55	275	55010	55000	54990	54980
56	280	56010	56000	55990	55980
57	285	57010	57000	56990	56980
58	290	58010	58000	57990	57980
59	295	59010	59000	58990	58980
60	300	60010	60000	59990	59980
61	305	61010	61000	60990	60980
62	310	62010	62000	61990	61980
63	315	63010	63000	62990	62980
64	320	64010	64000	63990	63980
65	325	65010	65000	64990	64980
66	330	66010	66000	65990	65980
67	335	67010	67000	66990	66980
68	340	68010	68000	67990	67980
69	345	69010	69000	68990	68980
70	350	70010	70000	69990	69980
71	355	71010	71000	70990	70980
72	360	72010	72000	71990	71980
73	365	73010	73000	72990	72980
74	370	74010	74000	73990	73980
75	375	75010	75000	74990	74980
76	380	76010	76000	75990	75980
77	385	77010	77000	76990	76980
78	390	78010	78000	77990	77980
79	395	79010	79000	78990	78980
80	400	80010	80000	79990	79980
81	405	81010	81000	80990	80980
82	410	82010	82000	81990	81980
83	415	83010	83000	82990	82980
84	420	84010	84000	83990	83980
85	425	85010	85000	84990	84980
86	430	86010	86000	85990	85980
87	435	87010	87000	86990	86980
88	440	88010	88000	87990	87980
89	445	89010	89000	88990	88980
90	450	90010	90000	89990	89980
91	455	91010	91000	90990	90980
92	460	92010	92000	91990	91980
93	465	93010	93000	92990	92980
94	470	94010	94000	93990	93980
95	475	95010	95000	94990	94980
96	480	96010	96000	95990	95980
97	485	97010	97000	96990	96980
98	490	98010	98000	97990	97980
99	495	99010	99000	98990	98980
100	500	100010	100000	99990	99980

[TRISUN](#) Sandariklio matmenys pateikti lentelėje:

TS MG1(TSG) TS MG12(TSG2)

技术参数:

压力: $\leq 1.2\text{MPa}$

线速度: $\leq 10\text{m/s}$

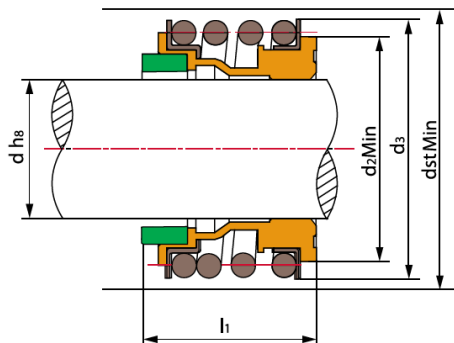
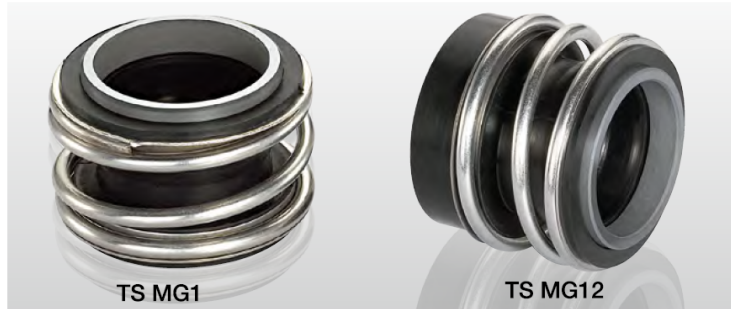
温度: $-20^{\circ}\text{C} \sim +120^{\circ}\text{C}$

Operating Limits

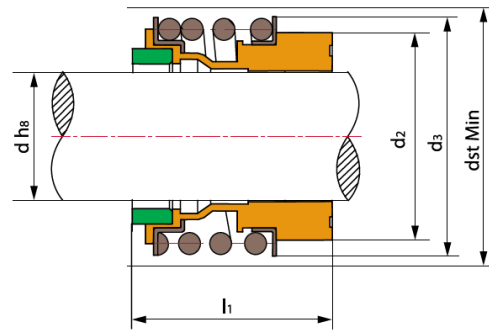
Pressure: $\leq 1.2\text{MPa}$

Speed: $\leq 10\text{m/s}$

Temperature: $-20^{\circ}\text{C} \sim +120^{\circ}\text{C}$



- 动环(石墨/碳化硅/碳化钨)
- 静环(陶瓷/碳化硅/碳化钨)
- 辅助密封(丁腈胶/三元乙丙胶/氟胶)
- 弹簧及其它金属件(不锈钢)



- Rotary Ring (Carbon/SiC/TC)
- Stationary Ring (Ceramic/SiC/TC)
- Secondary Seal (NBR/EPDM/VITON)
- Spring & Other Parts (SUS304/SUS316)

TS MG1					
Seal size d(mm)	d	d ₂	d ₃	d _{st}	l ₁
8	8	17.5	19.0	23	12.5
10	10	20.5	22.5	24	14.5
12	12	22.5	25.0	26	15.0
14	14	26.5	28.5	30	17.0
15	15	26.5	28.5	30	17.0
16	16	26.5	28.5	30	17.0
18	18	29.0	32.0	33	19.5
19	19	33.0	37.0	38	21.5
20	20	33.0	37.0	38	21.5
22	22	33.0	37.0	38	21.5
24	24	38.0	42.5	44	22.5
25	25	38.0	42.5	44	23.0
28	28	44.0	49.0	50	26.5
30	30	44.0	49.0	50	26.5
32	32	46.0	53.5	55	27.5
33	33	46.0	53.5	55	27.5
35	35	50.0	57.0	59	28.5
38	38	53.0	59.0	61	30.0
40	40	55.0	62.0	64	30.0
42	42	58.0	65.5	67	30.0
43	43	58.0	65.5	67	30.0
45	45	60.0	68.0	70	30.0
48	48	63.0	70.5	74	30.5
50	50	65.0	74.0	77	30.5
53	53	70.0	78.5	81	33.0
55	55	72.0	81.0	83	35.0
58	58	75.0	85.5	88	37.0
60	60	79.0	88.5	91	38.0
65	65	84.0	93.5	96	40.0
68	68	88.0	96.5	100	40.0
70	70	90.0	99.5	103	40.0
75	75	95.0	107.0	110	40.0
80	80	100.0	112.0	116	40.0
85	85	107.0	120.0	124	41.0
90	90	114.0	127.0	131	45.0
95	95	119.0	132.0	136	46.0
100	100	124.0	137.0	140	47.0

TS MG12					
Seal size d(mm)	d	d ₂	d _{st}	d ₃	l ₁
10	10	20.5	24	22.5	25.9
12	12	22.5	26	25.0	25.9
14	14	26.5	30	28.5	28.4
16	16	26.5	30	28.5	28.4
18	18	29.0	33	32.0	30.0
20	20	33.0	38	37.0	30.0
22	22	33.0	38	37.0	30.0
24	24	38.0	44	42.5	32.5
25	25	38.0	44	42.5	32.5
28	28	44.0	50	49.0	35.0
30	30	44.0	50	49.0	35.0
32	32	46.0	55	53.5	35.0
33	33	46.0	55	53.5	35.0
35	35	50.0	59	57.0	35.0
38	38	53.0	61	59.0	36.0
40	40	55.0	64	62.0	36.0
43	43	58.0	67	65.5	36.0
45	45	60.0	70	68.0	36.0
48	48	63.0	74	70.5	36.0
50	50	65.0	77	74.0	38.0
53	53	70.0	81	78.5	36.5
55	55	72.0	83	81.0	36.5
58	58	75.0	88	85.5	41.5
60	60	79.0	91	88.5	41.5
65	65	84.0	96	93.5	41.5
68	68	88.0	100	96.5	41.2
70	70	90.0	103	99.5	48.7
75	75	95.0	110	107.0	48.7
80	80	100.0	116	112.0	48.0
85	85	107.0	124	120.0	46.0
90	90	114.0	131	127.0	51.0
95	95	119.0	136	132.0	51.0
100	100	124.0	140	137.0	51.0