

VANDENS SIURBLIAI, UAB
Įmonės kodas 144708571
PVM kodas LT447085716
Girulių g. 24, Šiauliai
LT78138, Lietuva



E.SYDOCK 2 MAX GAS PAGRINDAS - 859 €

Gamintojas

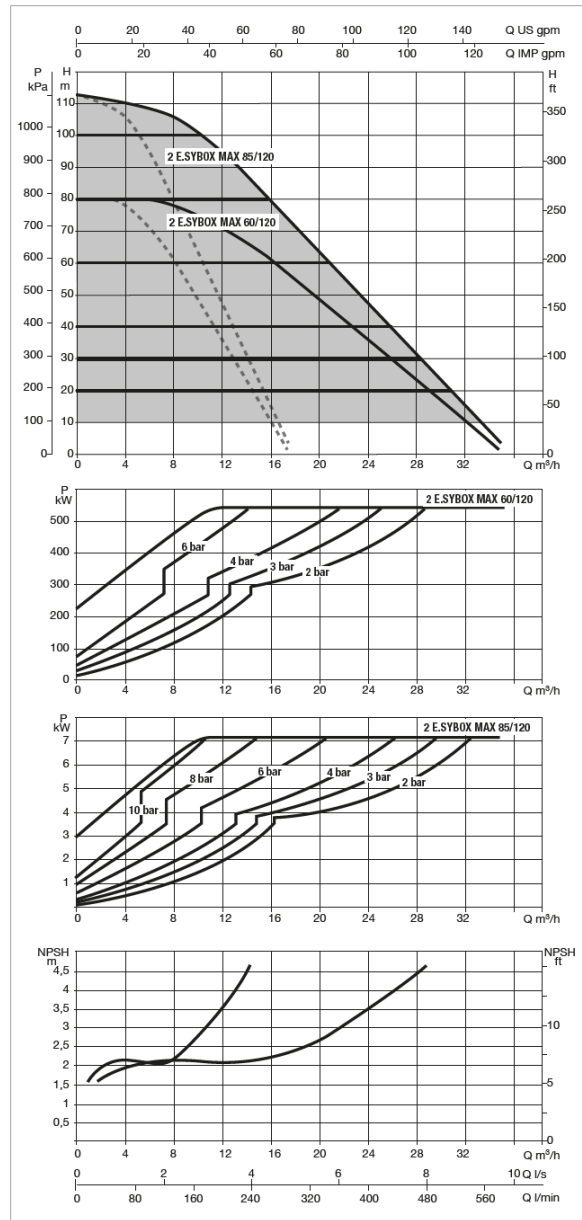
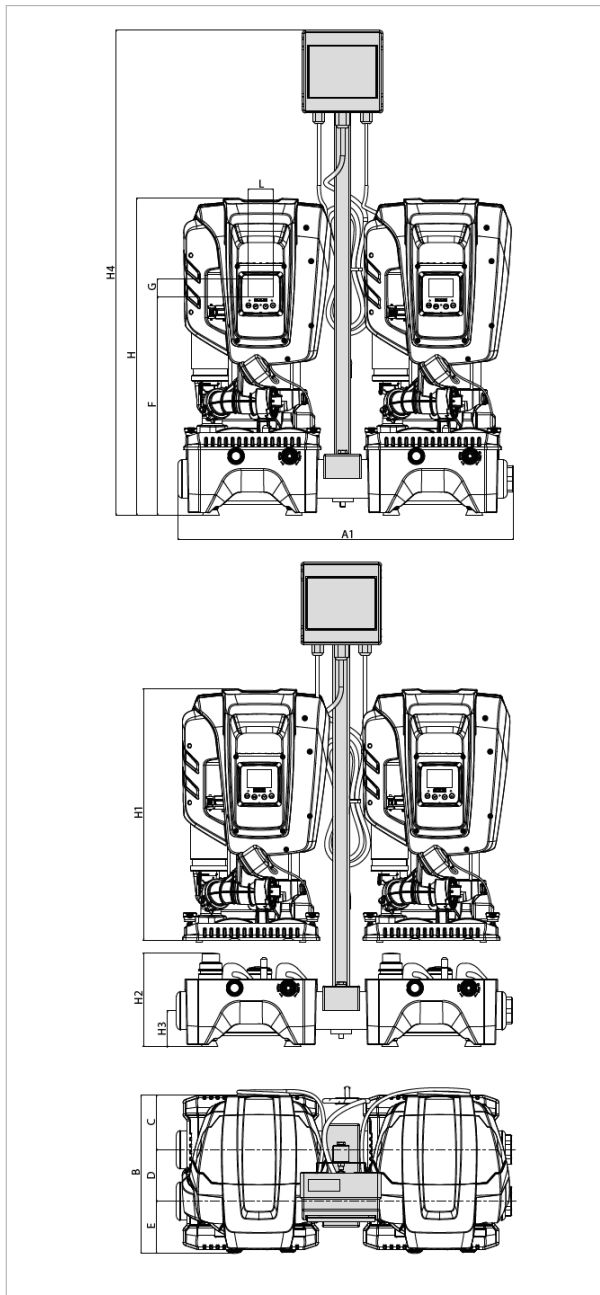


APRAŠYMAS:

Pagrindas skirtas greitai įdiegti „E.SYBOX MAX“ siurblius ir prijungti prie išorinių komunikacijų. E.SYDOCK rinkinyje yra būtini hidrauliniai ir mechaniniai komponentai, įskaitant antivibracines kojas.

2 ESYBOX MAX - ELECTRONIC BOOSTER SET

Liquid temperature: +50°C - Maximum ambient temperature: +55°C



The performance curves are based on the kinematic viscosity values = 1 mm²/s and density equivalent to 1000 kg/m³. Curve tolerance according to ISO 9906.
For the four pumps version, the flow rate is the double.

MODEL	N° IMPELLERS	POWER SUPPLY 50/60 Hz	P1 MAX		2x In A	SET POINT
			2x kW	2x HP		
2 ESYBOX MAX 60/120 M	3	1x208-240 V ~	2,68	3,6	12,5 - 11,5	1-12
2 ESYBOX MAX 60/120 T	3	3x380-480 V ~	2,65	3,5	4,4	1-12
2 ESYBOX MAX 85/120 T	4	3x380-480 V ~	3,50	4,7	5,6	1-12

MODEL	A1	B	C	D	E	F	G	H	H1	H2	H3	H4**	L	DNA	DNM	PACKING DIMENSIONS* PUMP UNIT			WEIGHT* PUMP UNIT Kg	PACKING DIMENSIONS DOCK			WEIGHT DOCK Kg
																L/A	L/B	H		L/A	L/B	H	
2 ESYBOX MAX 60/120	811	384	131.8	124.5	127.7	526	45	766	613	228	87	1172	59.5	2"	2"	400	380	800	29	900	400	250	18
2 ESYBOX MAX 85/120	811	384	131.8	124.5	127.7	526	45	766	613	228	87	1172	59.5	2"	2"	400	380	800	30	900	400	250	18

* Weights and packaging dimensions refer to a pump unit **Control panel and Mounting bracket sold separately as optional accessories

