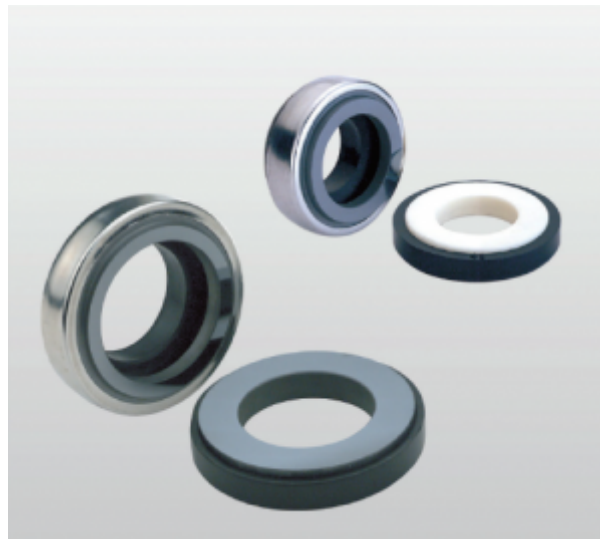


VANDENS SIURBLIAI, UAB
Įmonės kodas 144708571
PVM kodas LT447085716
Girulių g. 24, Šiauliai
LT78138, Lietuva



MECHANINIS SANDARIKLIS TS301-60 SIC/SIC/NBR/SS304 - 525.66 €

Gamintojas

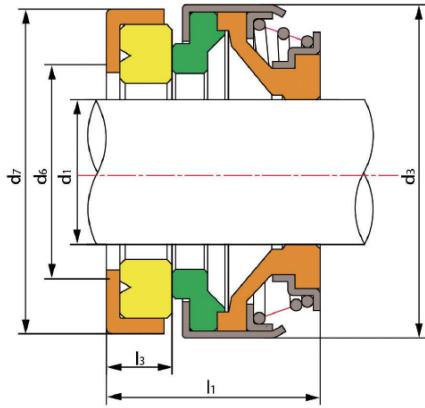


APRAŠYMAS:

„TS 301“ serijos sandariklių veikimo ribos □ Slėgis: 0,6 MPa Greitis: 10 m/s Temperatūra: -30 °C □ + 200 °C Rotacinis žiedas (plastikinė anglis/anglis/Sic/TC) Stacionarus žiedas (keramikinis/Sic/Tc)

Antrinis sandariklis (nbr / Epdm)/VITON) Spyruoklė (nerūdijantis plienas AISI304/AISI316)

Modelis	d1	d3	d6	d7	L1	L3
TS301-60	60	105	63	110.0	45.0	15.0



TS 301

Operating Limits

Pressure: $\leq 0.6\text{MPa}$

Speed: $\leq 10\text{m/s}$

Temperature: $-30^{\circ}\text{C} \sim +200^{\circ}\text{C}$

Model	d ₁ (mm)	d ₃	d ₆	d ₇	l ₁	l ₃	Model	d ₁ (mm)	d ₃	d ₆	d ₇	l ₁	l ₃
TS301-6	6	18	8	22.0	14.0	4.0	TS301-19	19	39	21	42.0	21.0	8.0
TS301-8S	8	18	10	22.0	15.0	4.0	TS301-20	20	39	22	42.0	21.0	8.0
TS301-8M	8	20	10	22/26	16.5	4.0/5.5	TS301-20L	20	42	24	45.0	23.0	10.0
TS301-8L	8	24	10	26.0	16.5	5.5	TS301-22S	22	36	24	45.0	26.5	10.0
TS301-10	10	24	12	26.0	21.0	8.0	TS301-22L	22	42	24	45.0	23.0	10.0
TS301-11	11	24	13	26.0	21.0	8.0	TS301-23	23	47	25	50.0	23.5	10.0
TS301-12	12	24	14	25/26	21.0	8.0	TS301-24	24	47	26	50.0	23.5	10.0
TS301-13	13	24	15	26.0	19.5	5.5/8.0	TS301-25	25	42	27	50.0	23.5	10.0
TS301-13L	13	28	16	28.0	21.0	8.0	TS301-25L	25	47	27	50.0	23.5	10.0
TS301-13H	13	32	16	29.5	30.5	8.0	TS301-26	26	47	29	50.0	23.5	10.0
TS301-14	14	28	16	28/28.5	21.0	8.0	TS301-27	27	47	30	50.0	23.5	10.0
TS301-14L	14	32	16	29.5	21.0	8.0	TS301-28	28	54	31	57.0	25.0	10.0
TS301-15S	15	28	16	28.5/30	21.0	8.0	TS301-30	30	54	33	57.0	25.0	10.0
TS301-15M	15	32	16	30/29.5	21.0	8.0	TS301-32	32	54	35	57.0	25.0	10.0
TS301-15L	15	39	18	38.0	21.0	8.0	TS301-35	35	60	38	63.0	26.0	10.0
TS301-16S	16	28	16	29.5/30	21.0	8.0	TS301-38	38	65	41	68.0	30.0	12.0
TS301-16M	16	32	18	29.5	21.0	8.0	TS301-40	40	65	43	68.0	30.0	12.0
TS301-16L	16	39	18	38.0	21.0	8.0	TS301-45	45	70	48	73.0	32.0	12.0
TS301-16H	16	32	16	30.0	29.0	10.0	TS301-50	50	85	52	88.0	38.0	15.0
TS301-17	17	39	19	42.0	21.0	8.0	TS301-55	55	85	58	88.0	38.0	15.0
TS301-18	18	39	20	42.0	21.0	8.0	TS301-60	60	105	63	110.0	45.0	15.0
							TS301-65	65	105	\	110.0	47.0	15.0
							TS301-70	70	105	\	110.0	47.0	15.0

TRISUN 冠

轻型密封件
Single-Spring Mechanical Seal