

VANDENS SIURBLIAI, UAB
Įmonės kodas 144708571
PVM kodas LT447085716
Girulių g. 24, Šiauliai
LT78138, Lietuva



DAŽNIO KEITIKLIS FC-102N110T4E54H2XGC - 8820.9 €

Gamintojas



APRAŠYMAS:

„Danfoss Drive“ skirta vėdinimo, šildymo ir šaldymo įrenginiams. Jame yra daugybė funkcijų, specialiai sukurtų naudoti su siurbliais, ventiliatoriais ir kompresoriais, siekiant taupyti energiją, atitikti aplinkosaugos reikalavimus ir sumažinti išlaidas šiuolaikiniuose pastatuose.

SPECIFIKACIJOS

Gaminio informacija VLT® HVAC DRIVE FC 100 SERIES

Product View (Switch)	GLBL	Global (Standard)
Product Group	FC-	VLT® HVAC Drive FC-
Series	102	102
Power Rating	N110	(N110) 110 KW / 150 HP
Phase	T	Three phase
Mains Voltage	4	380 - 480 VAC
Enclosure	E54	(E54) IP54 / Type 12
RFI Filter	H2	RFI Filter

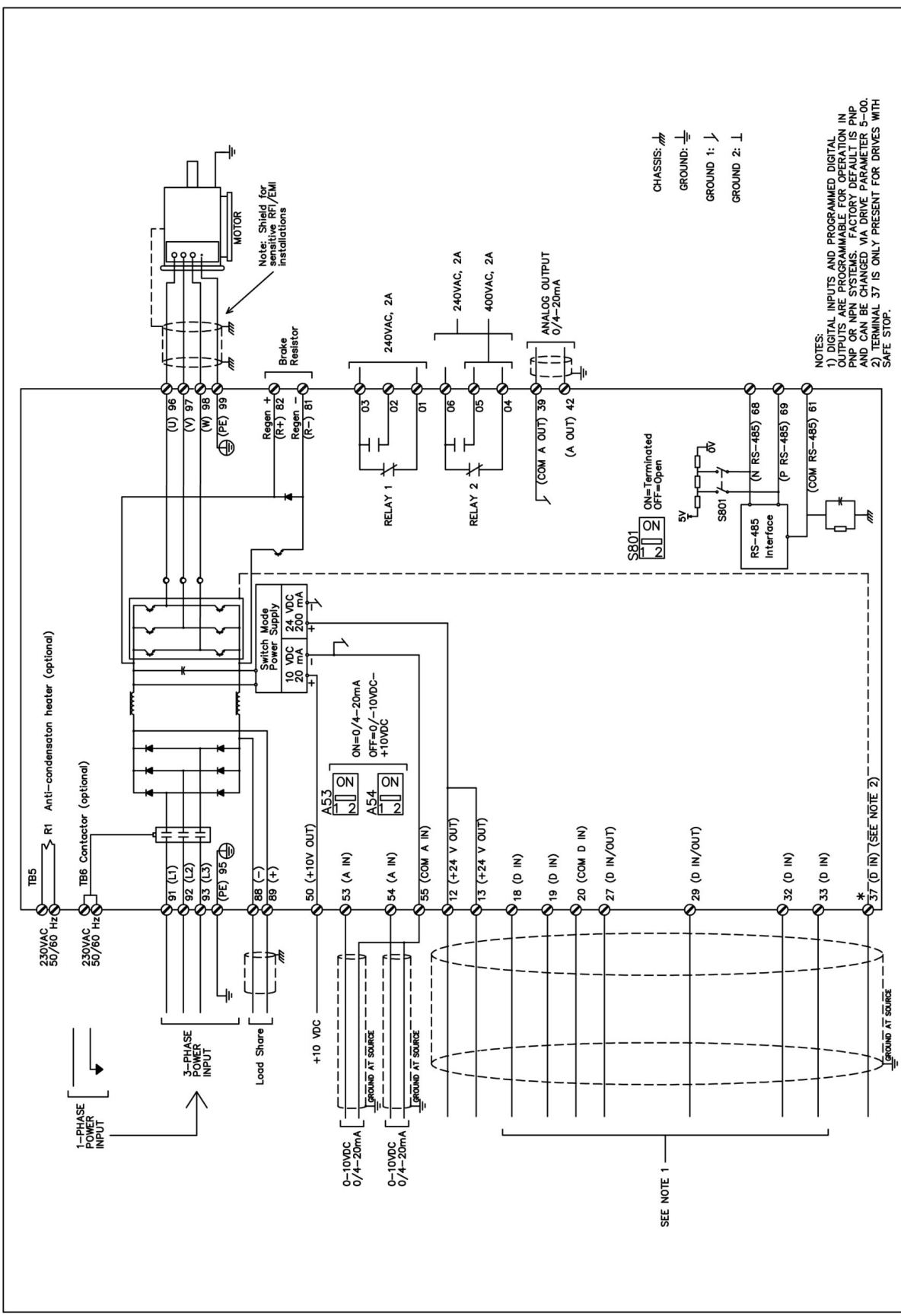
Brake - Safe Stop	X	No brake chopper
LCP	G	Graphical Loc. Cont. Panel
Coating PCB	C	Coated PCB
Mains Option	X	No Mains Option
Adaptation A	X	Standard Cable Entries
Adaptation B	X	No adaptation
Software Release	SXXX	Latest release std. SW.
Software Language Pack	X	Standard Language Pack
A Option	AX	No A Option
B Option	BX	No B Option
C0 Option MCO	CX	No C0 option
C1 Option	X	No C1 option
C Option Software	XX	No software option
D Option	DX	No D option
Frame Size	D1H	D1H
Product Catalog	NO_VIEW	NO VIEW
Typecode Part 1		FC-102N110T4E54H2XGC
Typecode Part 2		XXXSXXXAXBXCXXXXDX
Power 110% (NO) [KW]		110
Height [mm]		901,0
Width w/ no C options [mm]		325,0
Depth [mm]		378,0
Depth with Option A/B [mm]		378,0
kVA		147
Power Loss NO [W]		2555
Power Loss NO [W]		2257
Continuous Current (NO) [A]		212
Intermittent Current (NO) [A]		233
Continuous Current (NO) [A]		190
Intermittent Current (NO) [A]		209
Calculated Gross Weight [kg]		62.3
Calculated Net Weight [kg]		62
Material Gross Weight		73
Material Net Weight		69
Vendor	ERR01	Cannot Determine Vendor
Recommended Factory	ERR01	Cannot Determine Vendor
Modelcode01		FC-102N110T4E54H2XGC
Modelcode02		XXXSXXXAXBXCXXXXDX

Gamintojas: [Danfoss](#)

SPECIFIKACIJOS:

Įtampa, V	480
-----------	-----

Variklio galingumas (kW)	110
--------------------------	-----



NOTES:
 1) DIGITAL INPUTS AND PROGRAMMED DIGITAL OUTPUTS ARE PROGRAMMABLE FOR OPERATION IN PNP OR NPN SYSTEMS. FACTORY DEFAULT IS PNP AND CAN BE CHANGED VIA DRIVE PARAMETER 5-00.
 2) TERMINAL 37 IS ONLY PRESENT FOR DRIVES WITH SAFE STOP.

B															
A															
DR	2016XXXX	7/14/16													
REV	ECN	DATE													
- NOTICE - THIS DOCUMENT CONTAINS PROPRIETARY INFORMATION OF DANFOSS DRIVES. IT IS LOANED BY DANFOSS DRIVES SUBJECT TO THE CONDITIONS THAT IT AND THE INFORMATION EMBODIED THEREIN SHALL BE USED ONLY FOR RECORD AND REFERENCE PURPOSES. SHALL NOT BE USED OR CAUSED TO BE USED IN ANY WAY PREJUDICIAL TO THE INTERESTS OF DANFOSS DRIVES. SHALL NOT BE REPRODUCED OR COPIED IN WHOLE OR IN PART, OR DISCLOSED TO ANYONE WITHOUT THE WRITTEN PERMISSION OF DANFOSS DRIVES AND SHALL BE RETURNED UPON REQUEST.											NAME FC-102 D FRAME DRIVE CONNECTIONS	MODEL FC-102	PAGE 1 OF 1	SIZE A	DWG NO.
DRN 7/13/16											PCN M/JM	APR 7/13/16			

