

Receiver

From

Society
Reference
Address
Phone
Fax
E-mail

Item n° :

60150962

Model :

EVOPLUS B 120/220.32 M

Pump data

Pressure rating : 1,6 MPa
Min. fluid temperature : -10 °C
Max. fluid temperature : 110 °C
EEI : ≤ 0,20

Minimum suction head :

Temperature °C 90 100

Minimum suction head : m 20 25

Requested data

Flow :
Head :
Fluid (%) :
Fluid Temperature : 20 °C
Density : 998,3 kg/m³
Kinematic viscosity : 1,005 mm²/s
Vapor pressure :

Hydraulic data (duty point)

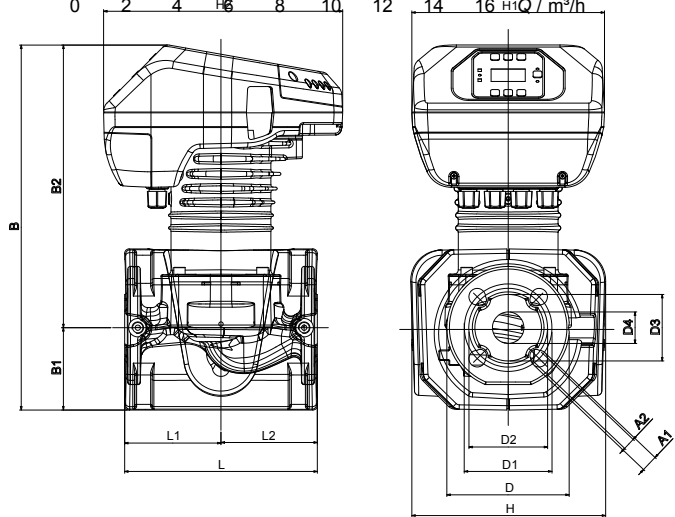
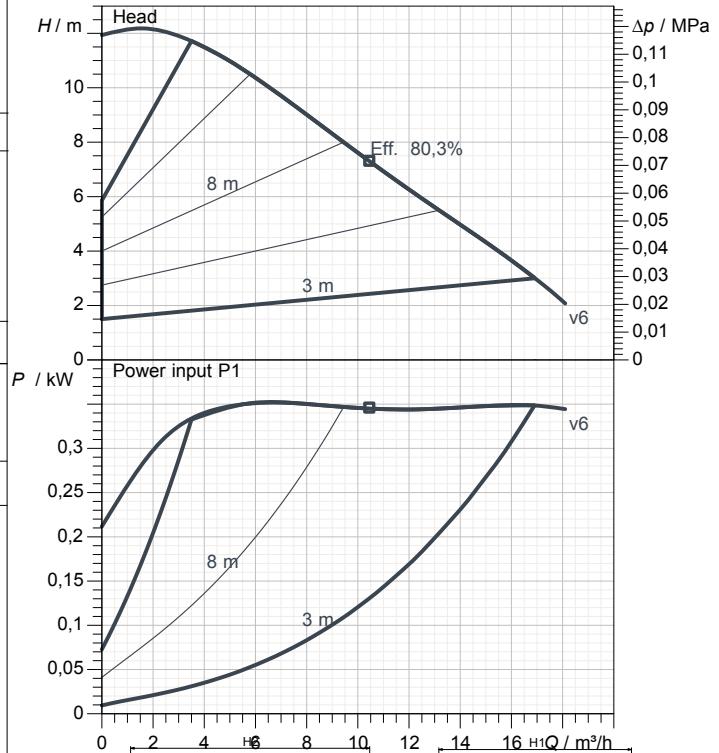
Flow :

Head :

Materials

Pump body Cast iron 250 UNI ISO 185 - CTF
Impeller Technopolymer
Motor shaft Stainless steel
Seal ring EPDM
Motor casing Die cast aluminium
Closing flange Stainless steel
Thrust ring support Stainless steel

Curve tolerance according to ISO 9906



Motor data

Motor brand : DAB
Power input P1 : 0,34 kW
Rated voltage : 1~ 220-240 V 50 Hz
Nominal current : 1,7 A
Degree of protection : IP 44

Dimensions in mm

A1	19	D1	100	H2	273		
A2	14	D2	90	L	220		
B	417	D3	76	L1	110		
B1	94	D4	36	L2	110		
B2	323	H	222				
D	140	H1	220				

Weight : 24 kg

Pump connection

Suction side : DN 32 / PN6, PN10, PN16
Discharge side : DN 32 / PN6, PN10, PN16

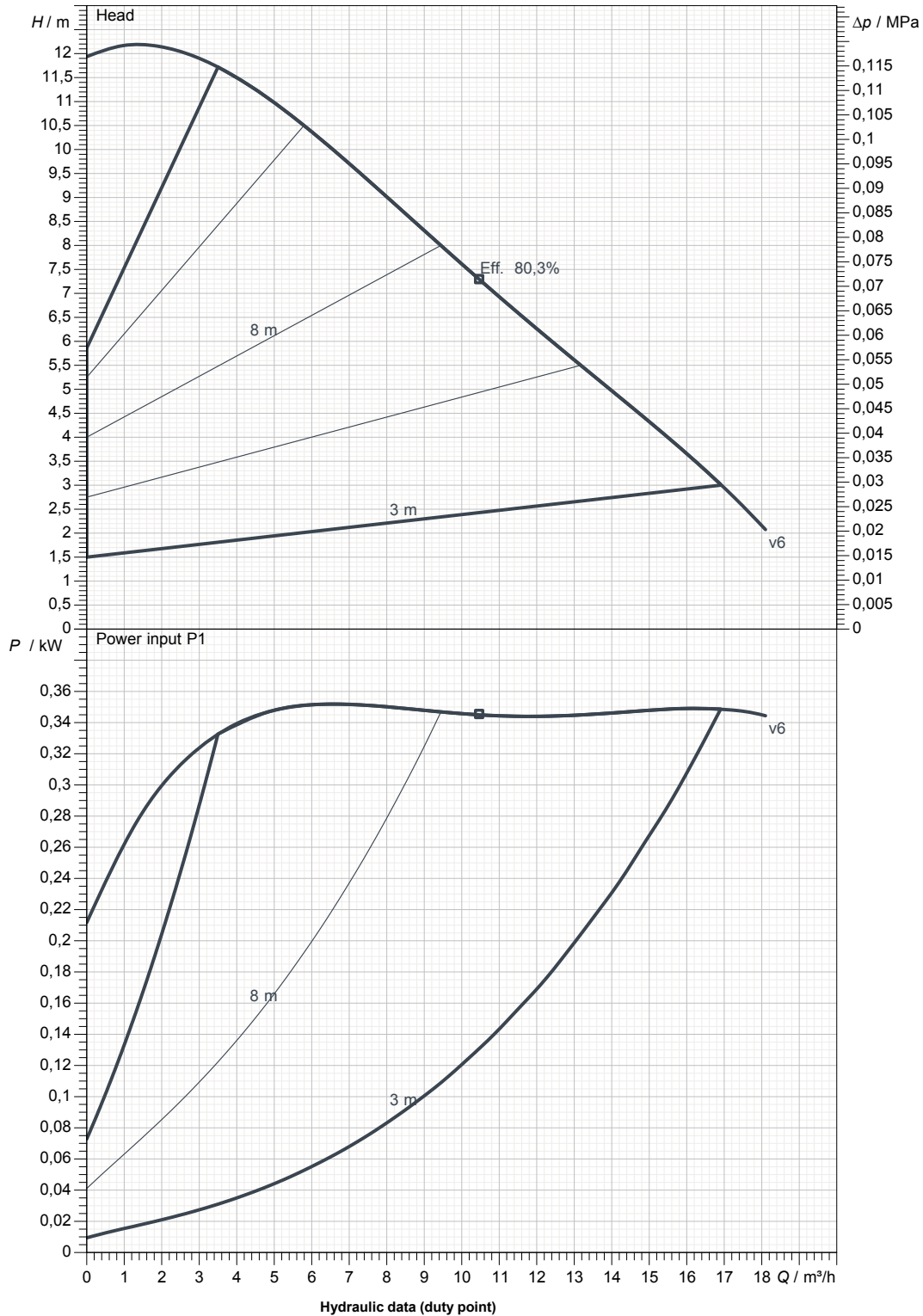
Receiver

From

Society
Reference
Address
Phone
Fax
E-mail

EVOPLUS B 120/220.32 M

Curve tolerance according to ISO 9906



Suction side :
DN 32
PN6, PN10, PN16

Discharge side :
DN 32
PN6, PN10, PN16

Flow :

Head :

Rated speed :
2900 1/min

MAIN_PROJECT_TITLE

BUSINESS_PROCESS_IC

OWNER_

ISSUE_DATE



DIMENSIONAL DRAWING

2019-07-1€

Page 3 / 3

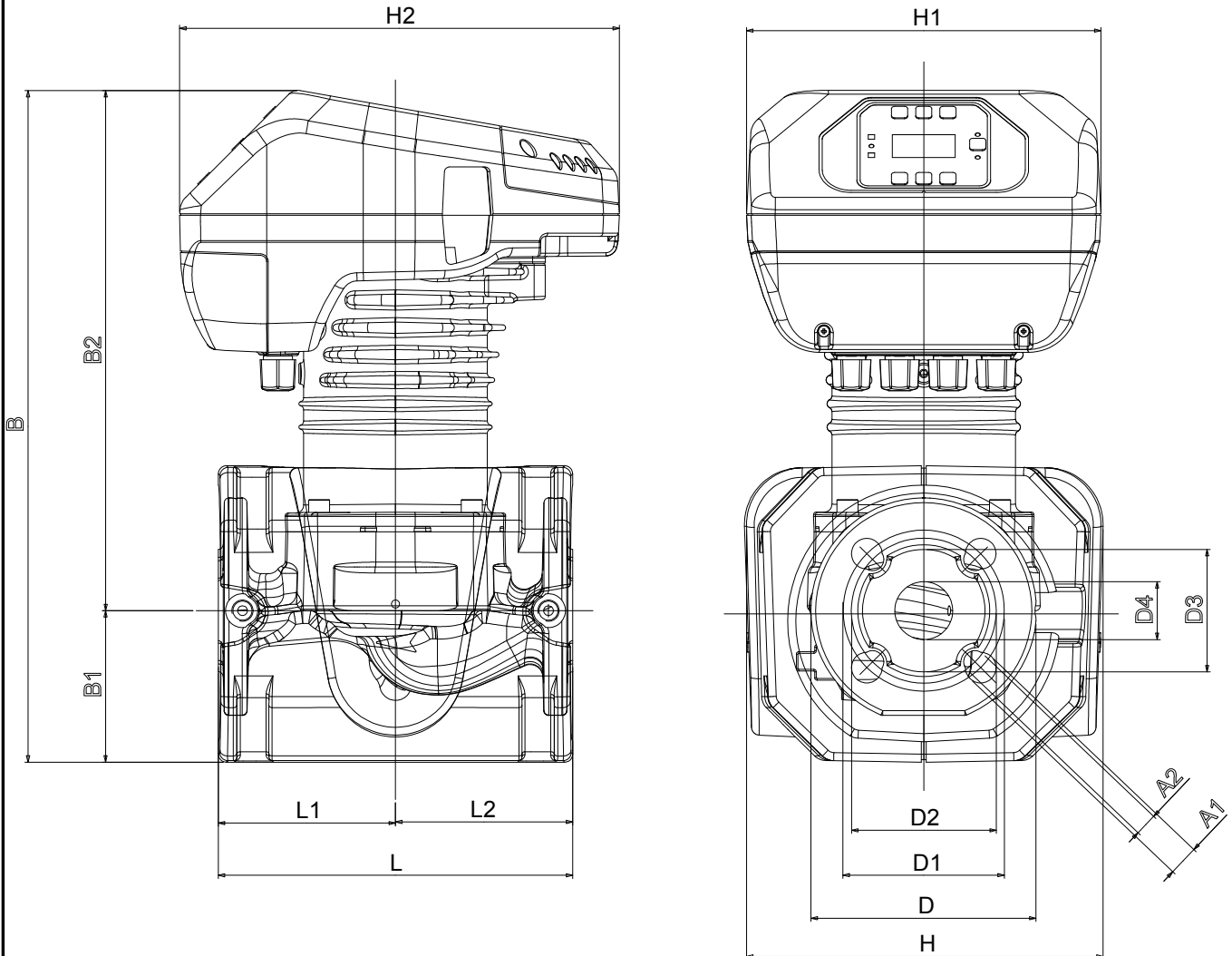
DAB PUMPS S.p.A.
Via Marco Polo, 14 - 35035 Mestrino (PD), Italy
Tel. +39 049 5125000 - Fax +39 049 5125950
www.dabpumps.com

Receiver

From

Society
Reference
Address
Phone
Fax
E-mail

EVOPLUS B 120/220.32 M



Dimensions in mm					Pump connection	
1	A1	19	H2	273	Suction DN 32 PN6, PN10, PN16 Discharge DN 32 PN6, PN10, PN16	
2	A2	14	L	220		
3	B	417	L1	110		
4	B1	94	L2	110		
5	B2	323				
6	D	140				
7	D1	100				
8	D2	90				
9	D3	76				
10	D4	36				
11	H	222				
12	H1	220				

MAIN_PROJECT_TITLE	BUSINESS_PROCESS_ID	OWNER	ISSUE_DATE