

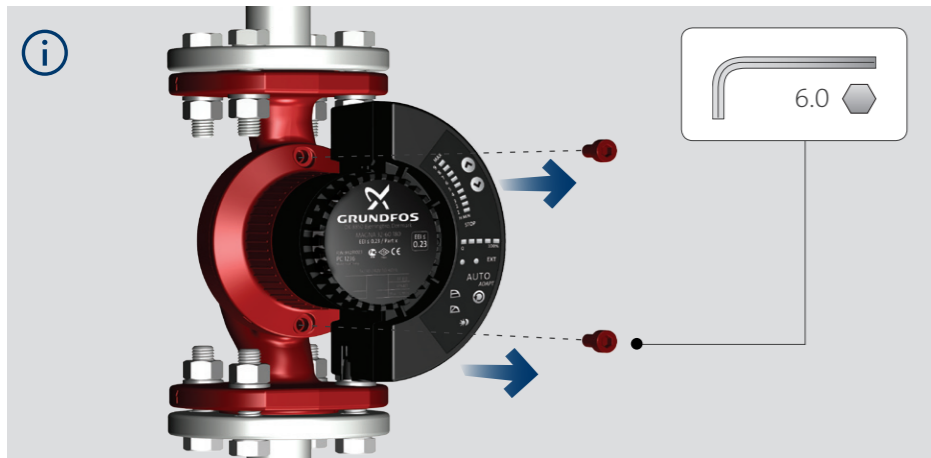
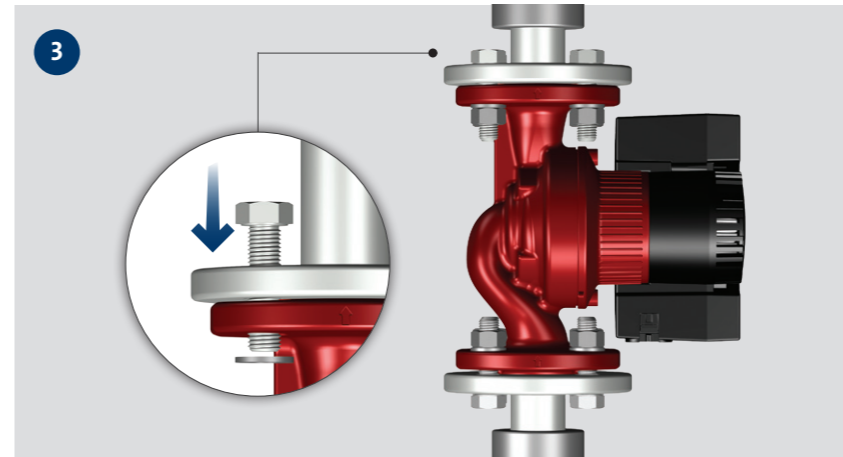
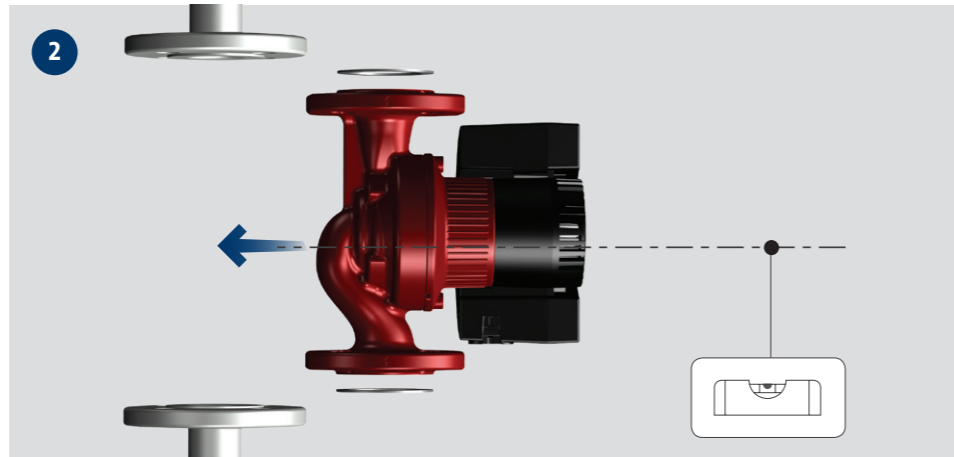
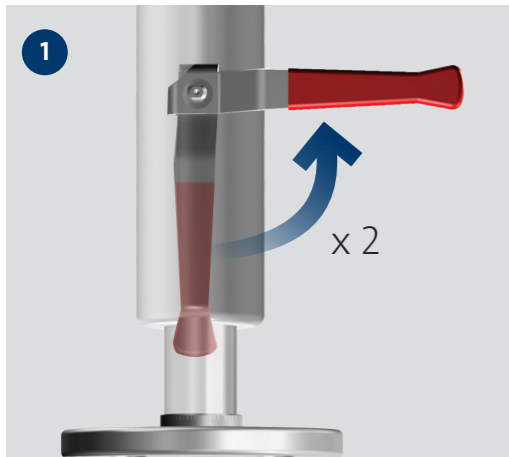


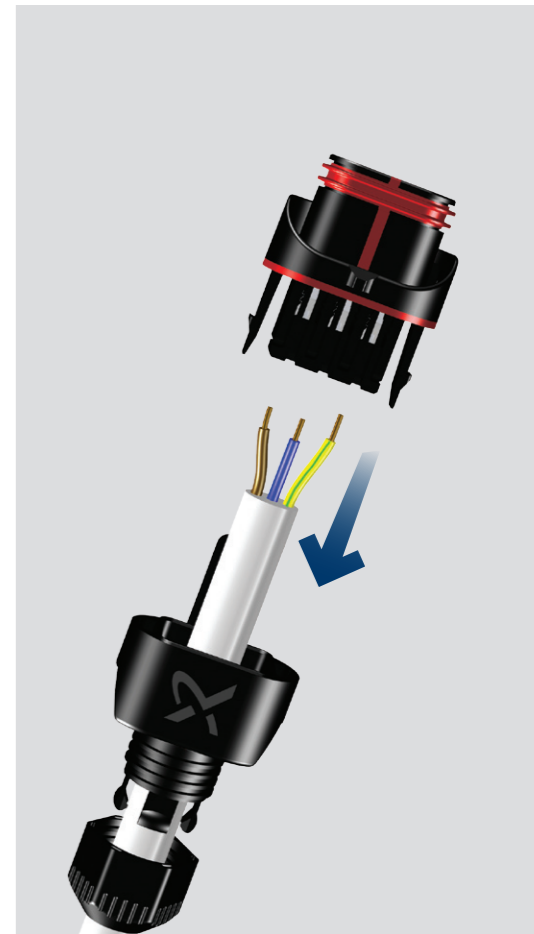
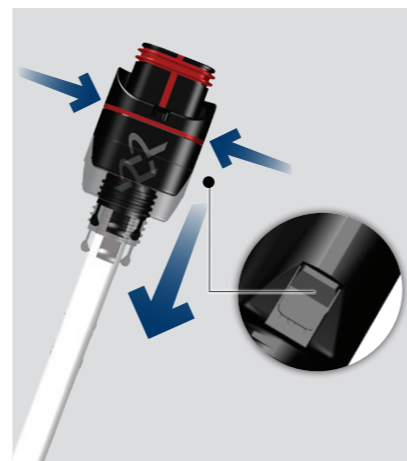
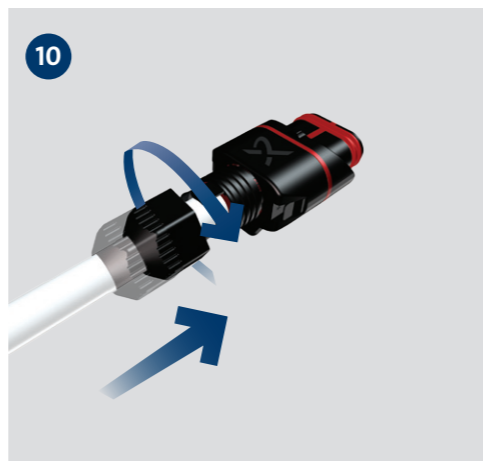
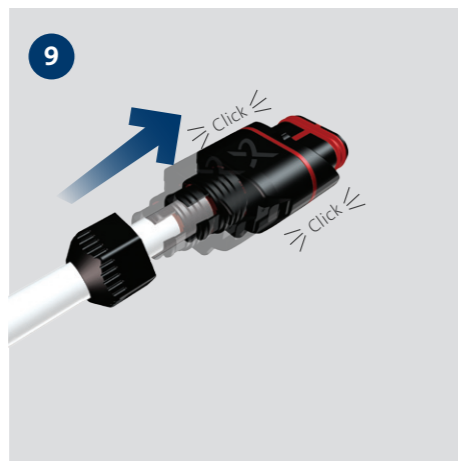
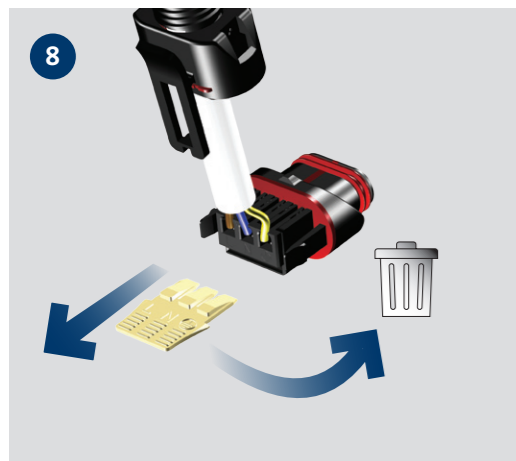
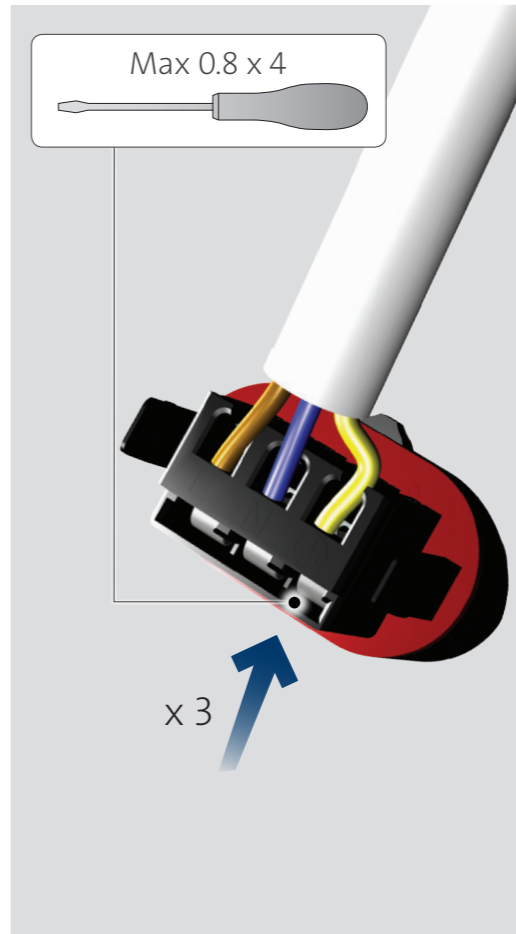
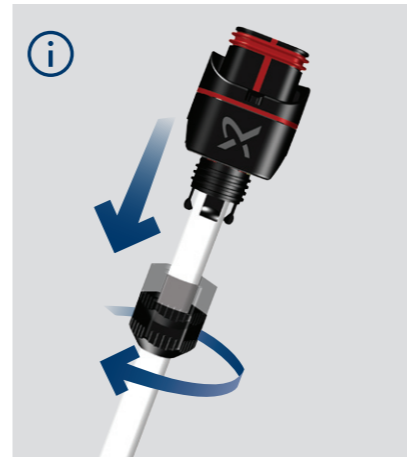
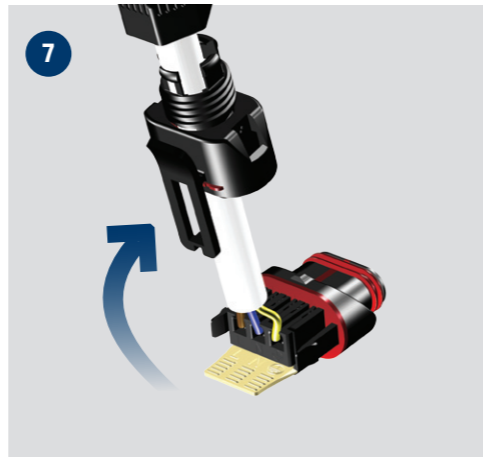
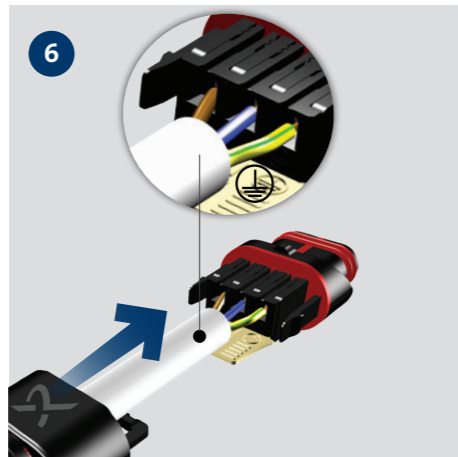
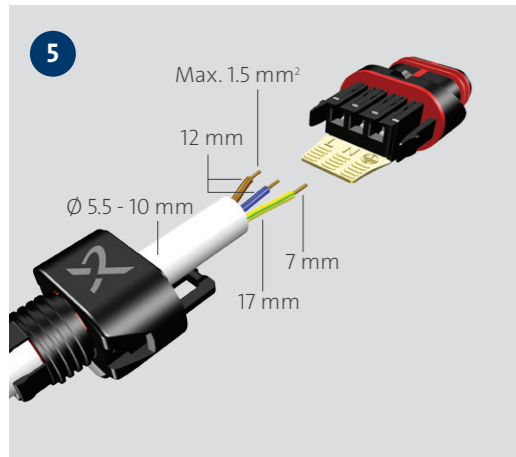
MAGNA

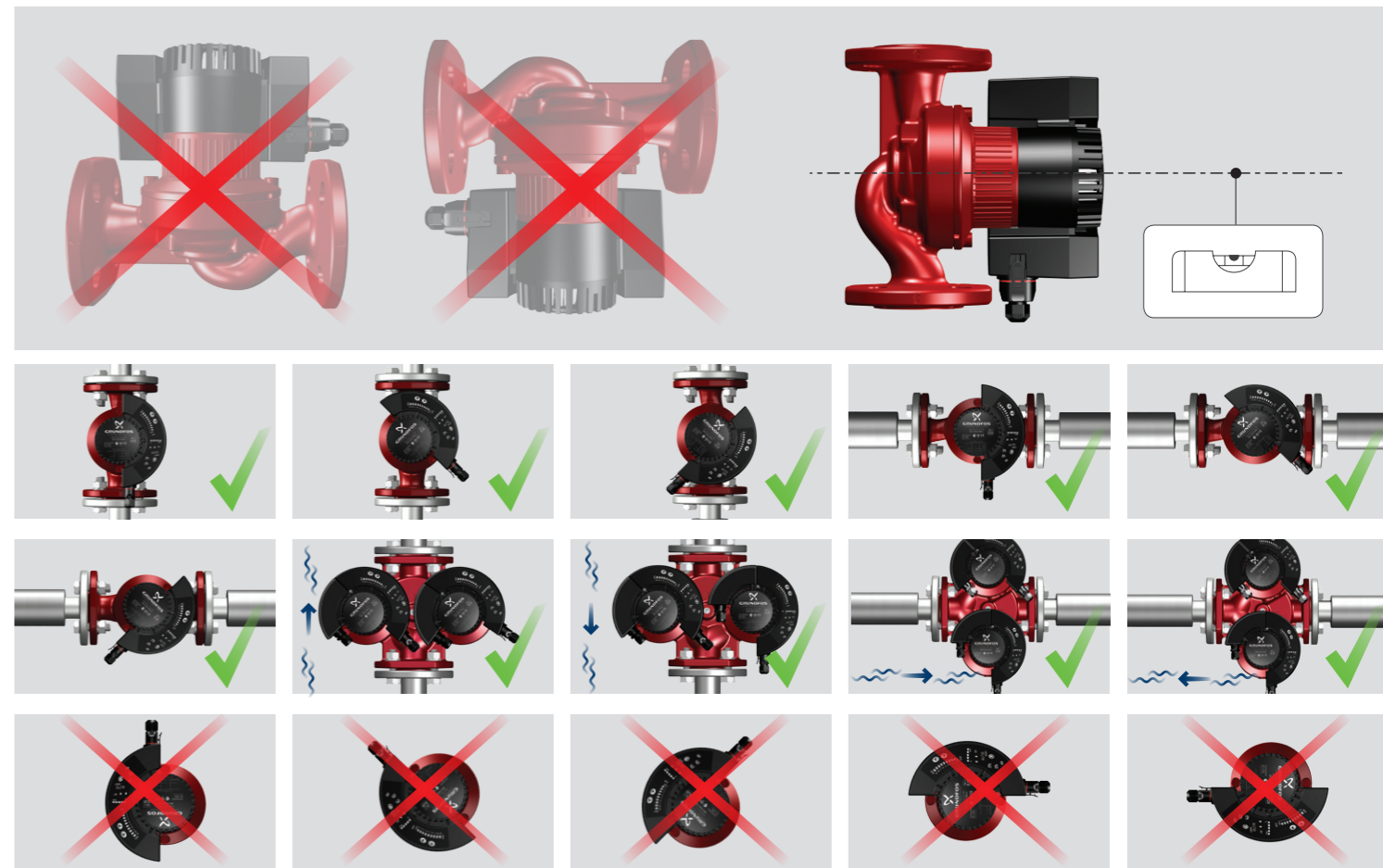
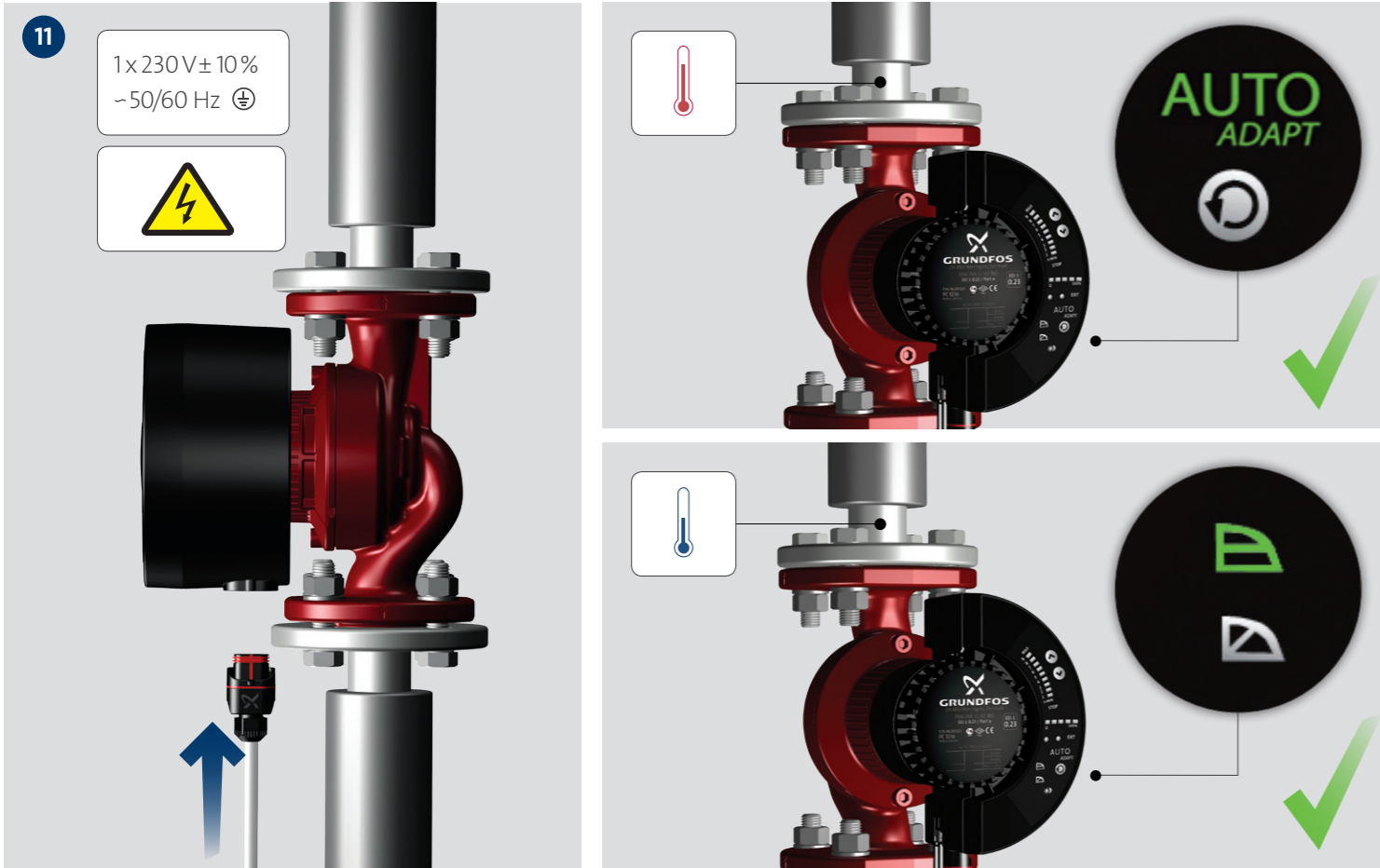
SERIES 2000

25-40/-60/-80/-100, 32-40/-60/- 80/-100,
40-60/-80/-100 (D), 50-100









Being responsible is our foundation
Thinking ahead makes it possible
Innovation is the essence

98375056 1112

ECM: 1103441

The name Grundfos, the Grundfos logo, and the payoff be think innovate are registered trademarks owned by Grundfos Holding A/S or Grundfos A/S, Denmark. All rights reserved worldwide.

BE ▶ THINK ▶ INNOVATE ▶

GRUNDFOS 