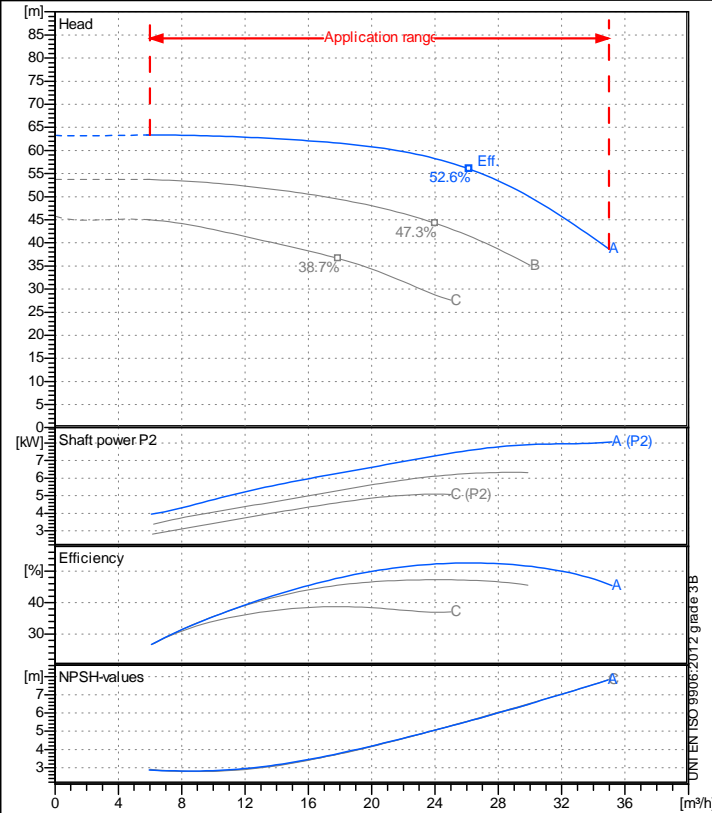


Receiver

From

 Company name
 Respons. Department
 Person in charge
 Phone number
 Fax no
 E-mail address

Operating data specification

Nominal flow	m ³ /h 0
Nominal head	m 0
Static head	m 0
NPSH - v value of plant	m 0
Inlet pressure	bar 0.09793
Fluid	Water, pure
Operating temperature t A	°C 20
Density at t A	kg/dm ³ 0.9983
Kin. viscosity at t A	mm ² /s 1.005

Pump

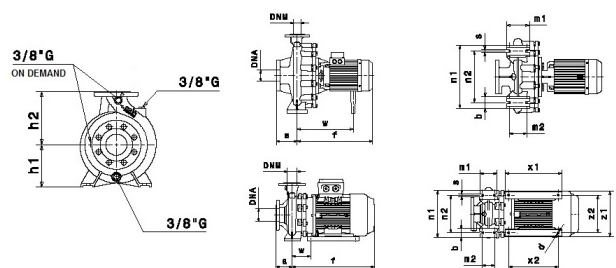
Pump name		IR32-200NA	
Size		50/32/200	
MEI (Reg. 547/2002 EU) >		0,4	
Speed 1/min	2900	No of stages	1
Impeller type			
Flow	Nominal	m ³ /h	
	Max-	m ³ /h	35
	Min-	m ³ /h	6
Head	Nominal	m	
	Max-	m	63.3
	Min-	m	38.7
Head H(Q=0)		m	63.3
NPSH 3%		m	
Max. working pressure		bar	6.2
Shaft power		kW	
Efficiency		%	
Max absorbed power		kW	8.0604

Materials Pump

Shaft	Stainless steel AISI 431 (1.4057)		
Impeller	Cast iron EN-GJL-250		
Pump body	Cast iron EN-GJL-250		
Seal disc	Cast iron EN-GJL-250		
Gasket	Natural fiber		
Mechanical seal	BVEG (Grafito/Ossido Allumina/EPDM)		

Dimensions in mm

a	80	z1	261	DNM	DNA		
b	50	z2	216	C	78	C	102
d	12			D	140	D	165
f	505			DN	32	DN	50
h1	160			K	100	K	125
h2	180			n°	4 x 19 mm ²		4 x 19 mm
m1	100						
m2	70						
n1	240						
n2	190						
s	14						
w	304						
x1	320						
x2	280						



Motor	Manufacturer / Type			SAER	132-2P-10
Efficiency	IEC 60034-30			IE3	
Rated power	kW	7.5	Efficiency 4/4	90.7 %	
Number of poles	2		Frame size	132	
Electric current	A	14.4 A	Speed	1/min	2949
Electric voltage	V	400 V	3~	Hz	50
Starting mode	Unknown				
Degree of protection	IP 55		Insulation class	F	

Remarks:

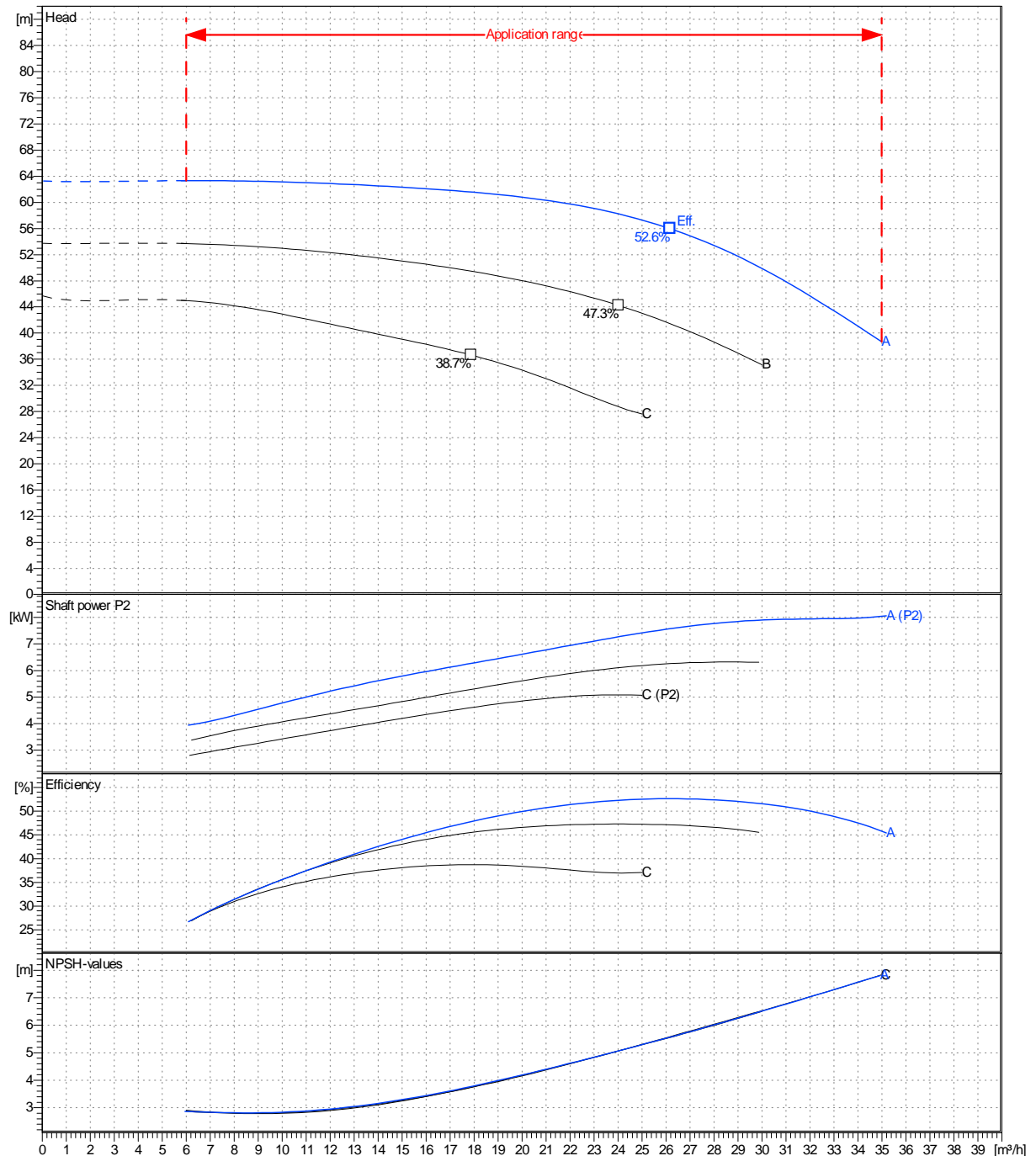
Project	Project ID	Created by	Created on	Last update
			2021-08-05	

Receiver	From
Company name	
Respons. Department	
Person in charge	
Phone number	
Fax no	
E-mail address	

Operating area	Flow	Head	Impeller type
Operating data specification	0 m ³ /h	0 m	Impeller construction
Pump data	m ³ /h	m	Sense of rotation
			Outlet width
			Speed
			1/min 2900
			Frequency
			Hz 50 Hz
	Min. Max. η Max.	H(Q=0) η Max.	P2(Q=0) Max. η Max.
	m ³ /h m ³ /h m ³ /h	m m	kW kW kW
	6 35 26.2	63.3 56	8.06 7.58

Performance data based to: Water, pure [100%]; 20°C; 0.998kg/dm³; 1mm²/s

UNI EN ISO 9906:2012 - Grade 3B



Project	Project ID	Created by	Created on	Last update
			2021-08-05	

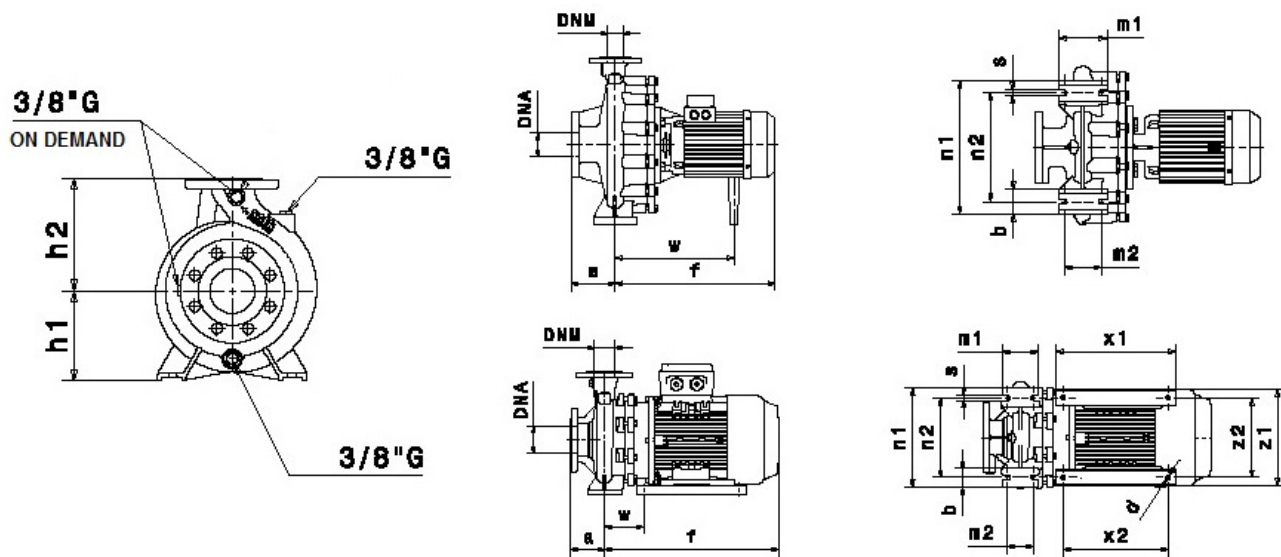
Revision no

Pump dimensions

Connections

Suction side	Discharge port
DN50	DN32
PN10 / PN16	PN10 / PN16

Dimensions in mm



Disegni dimensionali e immagini non vincolanti. Saer si riserva il diritto di effettuare cambiamenti senza alcun preavviso. Dimensional drawing and picture are not binding. Saer reserves the right to make changes without prior notice.

a	80		
b	50		
d	12		
f	505		
h1	160		
h2	180		
m1	100		
m2	70		
n1	240		
n2	190		
s	14		
w	304		
x1	320		
x2	280		
z1	261		
z2	216		

Project

Project ID

Created by

Created on
2021-08-05

Last update