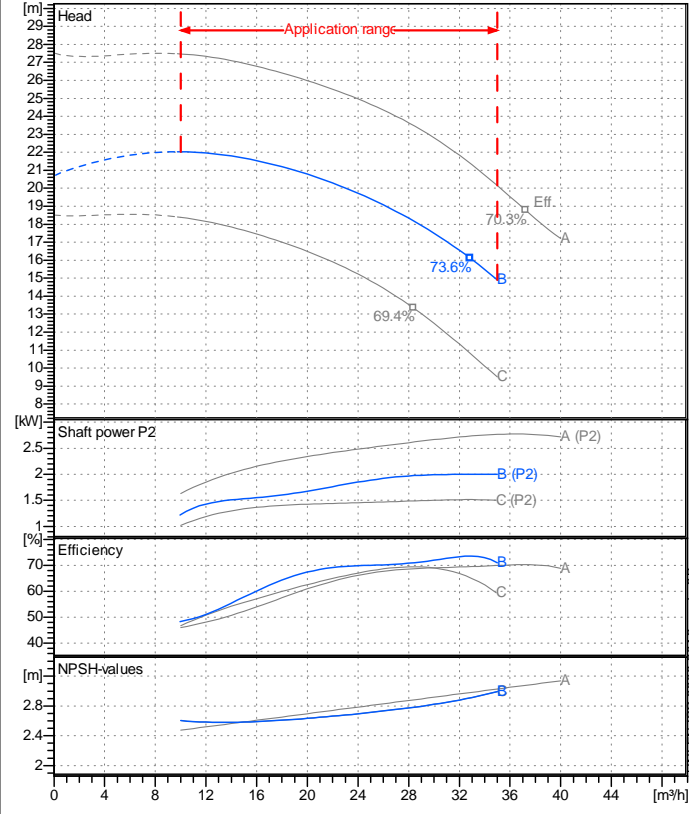


Company name
 Respons. Department
 Person in charge
 Phone number
 Fax no
 E-mail address

Receiver	From



Operating data specification

Nominal flow	m³/h 0
Nominal head	m 0
Static head	m 0
NPSH - v alue of plant	m 0
Inlet pressure	bar 0.09793
Fluid	Water, pure
Operating temperature t A	°C 20
Density at t A	kg/dm³ 0.9983
Kin. viscosity at t A	mm²/s 1.005

Pump

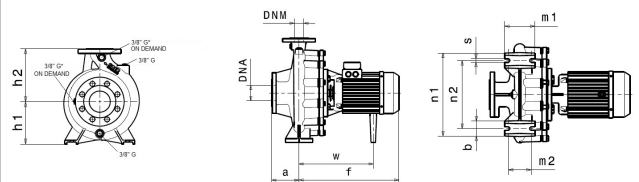
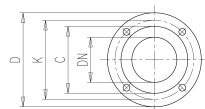
Pump name		IR40-125B	
Size		65/40/125	
MEI (Reg. 547/2002 EU) >		0,1	
Speed 1/min	2900	No of stages	1
Impeller type			
Flow	Nominal	m³/h	
	Max-	m³/h 35	
	Min-	m³/h 10	
Head	Nominal	m	
	Max-	m 22	
	Min-	m 14.9	
Head H(Q=0)	m 20.7		
NPSH 3%	m		
Max. working pressure	bar 2.03		
Shaft power	kW		
Efficiency	%		
Max absorbed power	kW 1.9999		

Materials Pump

Shaft	Stainless steel AISI 431 (1.4057)
Impeller	Cast iron EN-GJL-250
Pump body	Cast iron EN-GJL-250
Seal disc	Cast iron EN-GJL-250
Gasket	Natural fiber
Mechanical seal	BVEG (Grafito/Ossido Allumina/EPDM)

Dimensions in mm

a	80	DNM		DNA	
b	50	C	88	C	122
f	372	D	150	D	185
h1	112	DN	40	DN	65
h2	140	K	110	K	145
m1	100	n°	4 x 19 mm	n°	4 x 19 mm
m2	70				
n1	210				
n2	160				
s	14				
w	273				



Motor	Manufacturer / Type	SAER	90-2P-3	
Efficiency	IEC 60034-30	IE3		
Rated power	kW 2.2	Efficiency 4/4	85.9 %	
Number of poles	2	Frame size	90	
Electric current	A 4.6 A	Speed	1/min 2915	
Electric voltage	V 380 V	3~	Hz 50	
Starting mode	Unknown			
Degree of protection	IP 55	Insulation class	F	

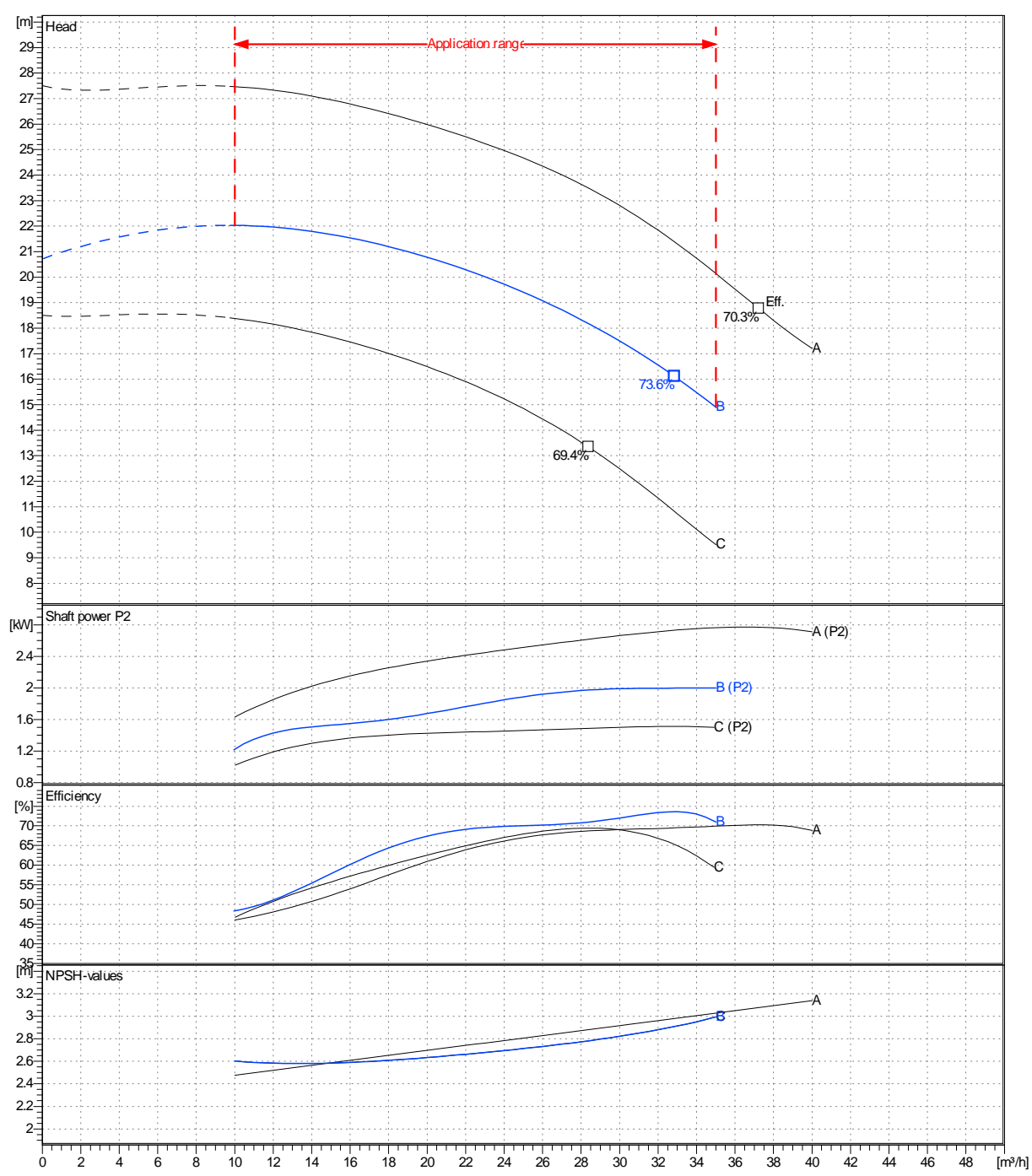
Remarks:

Project	Project ID	Created by	Created on	Last update
			2021-08-05	

Receiver	From

Operating area	Flow	Head	Impeller type
Operating data specification	0 m ³ /h	0 m	Impeller construction: Closed
Pump data	m ³ /h		Sense of rotation: Clockwise from the drive end
	m		Outlet width: DN40
	Flow		Speed: 1/min 2900
	Min. Max. η Max.	Head: H(Q=0) η Max.	Shaft power P2: P2(Q=0) Max. η Max.
	m ³ /h m ³ /h m ³ /h	m m	kW kW kW
			Frequency: 1/min 2900

Performance data based to: Water, pure [100%] ; 20°C; 0.998kg/dm³; 1mm²/s UNI EN ISO 9906:2012 - Grade 3B



Project	Project ID	Created by	Created on	Last update
			2021-08-05	

Revision no

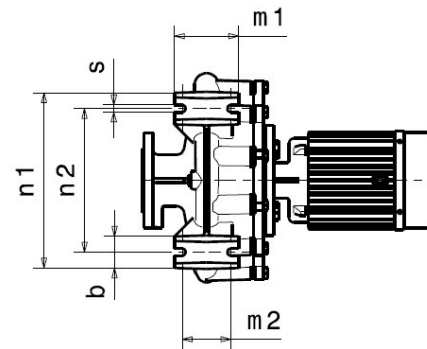
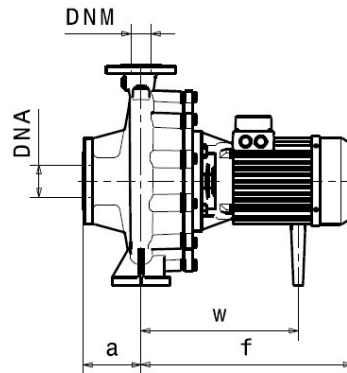
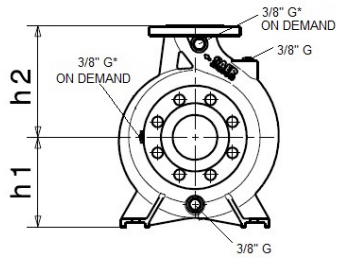
Pump dimensions

Connections

Suction side DN65 PN10 / PN16	Discharge port DN40 PN10 / PN16
-------------------------------------	---------------------------------------

Dimensions in mm

a	80		
b	50		
f	372		
h1	112		
h2	140		
m1	100		
m2	70		
n1	210		
n2	160		
s	14		
w	273		



Disegni dimensionali e immagini non vincolanti. Saer si riserva il diritto di effettuare cambiamenti senza alcun preavviso. Dimensional drawing and picture are not binding. Saer reserves the right to make changes without prior notice.