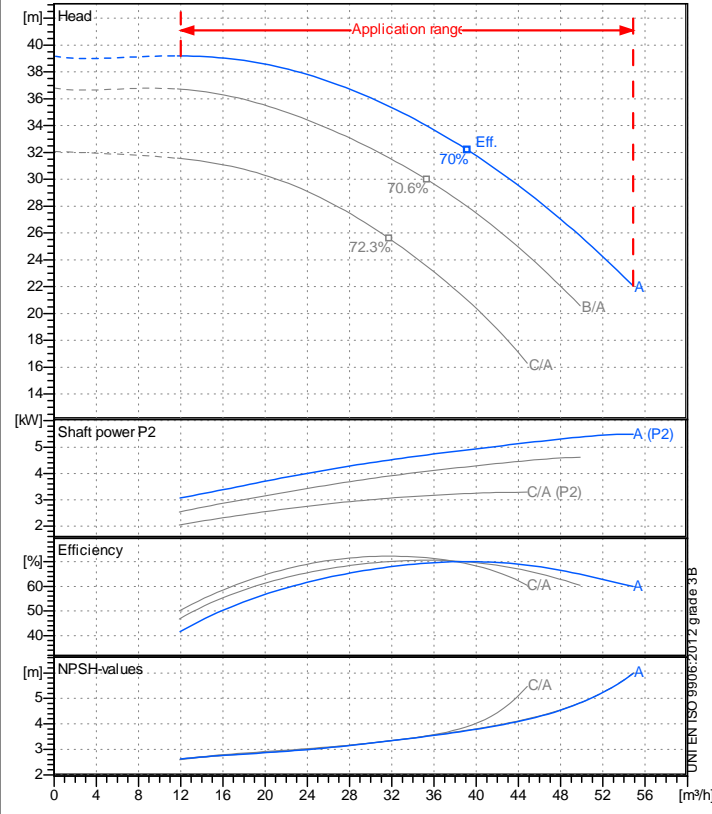


Company name
 Respons. Department
 Person in charge
 Phone number
 Fax no
 E-mail address

Receiver	From



Operating data specification

Nominal flow	m³/h 0
Nominal head	m 0
Static head	m 0
NPSH - v value of plant	m 0
Inlet pressure	bar 0.09793
Fluid	Water, pure
Operating temperature t A	°C 20
Density at t A	kg/dm³ 0.9983
Kin. viscosity at t A	mm²/s 1.005

Pump

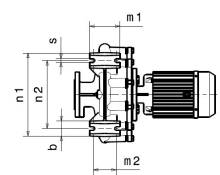
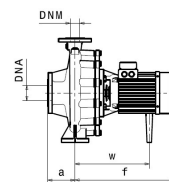
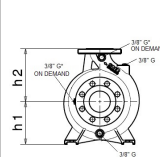
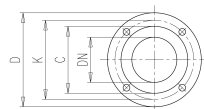
Pump name	IR40-160NA		
Size	65/40/160		
MEI (Reg. 547/2002 EU) >	0,5		
Speed 1/min	2900	No of stages	1
Impeller type			
Flow	Nominal	m³/h	
	Max-	m³/h	55
	Min-	m³/h	12
Head	Nominal	m	
	Max-	m	39.2
	Min-	m	22
Head H(Q=0)	m 39.2		
NPSH 3%	m		
Max. working pressure	bar 3.83		
Shaft power	kW		
Efficiency	%		
Max absorbed power	kW 5.4925		

Materials Pump

Shaft	Stainless steel AISI 431 (1.4057)		
Impeller	Cast iron EN-GJL-250		
Pump body	Cast iron EN-GJL-250		
Seal disc	Cast iron EN-GJL-250		
Gasket	Natural fiber		
Mechanical seal	BVEG (Grafito/Ossido Allumina/EPDM)		

Dimensions in mm

	DNM		DNA		
a	80	C	88	C	122
b	50	D	150	D	185
f	450	DN	40	DN	65
h1	132	K	110	K	145
h2	160	n°	4 x 19 mm	n°	4 x 19 mm
m1	100				
m2	70				
n1	240				
n2	190				
s	14				
w	304				



Motor	Manufacturer / Type	SAER	112-2P-7,5	
Efficiency	IEC 60034-30	IE3		
Rated power	kW 5.5	Efficiency 4/4	89.2 %	
Number of poles	2	Frame size	112	
Electric current	A 10.9 A	Speed	1/min 2928	
Electric voltage	V 380 V	3~	Hz 50	
Starting mode	Unknown			
Degree of protection	IP 55	Insulation class	F	

Remarks:

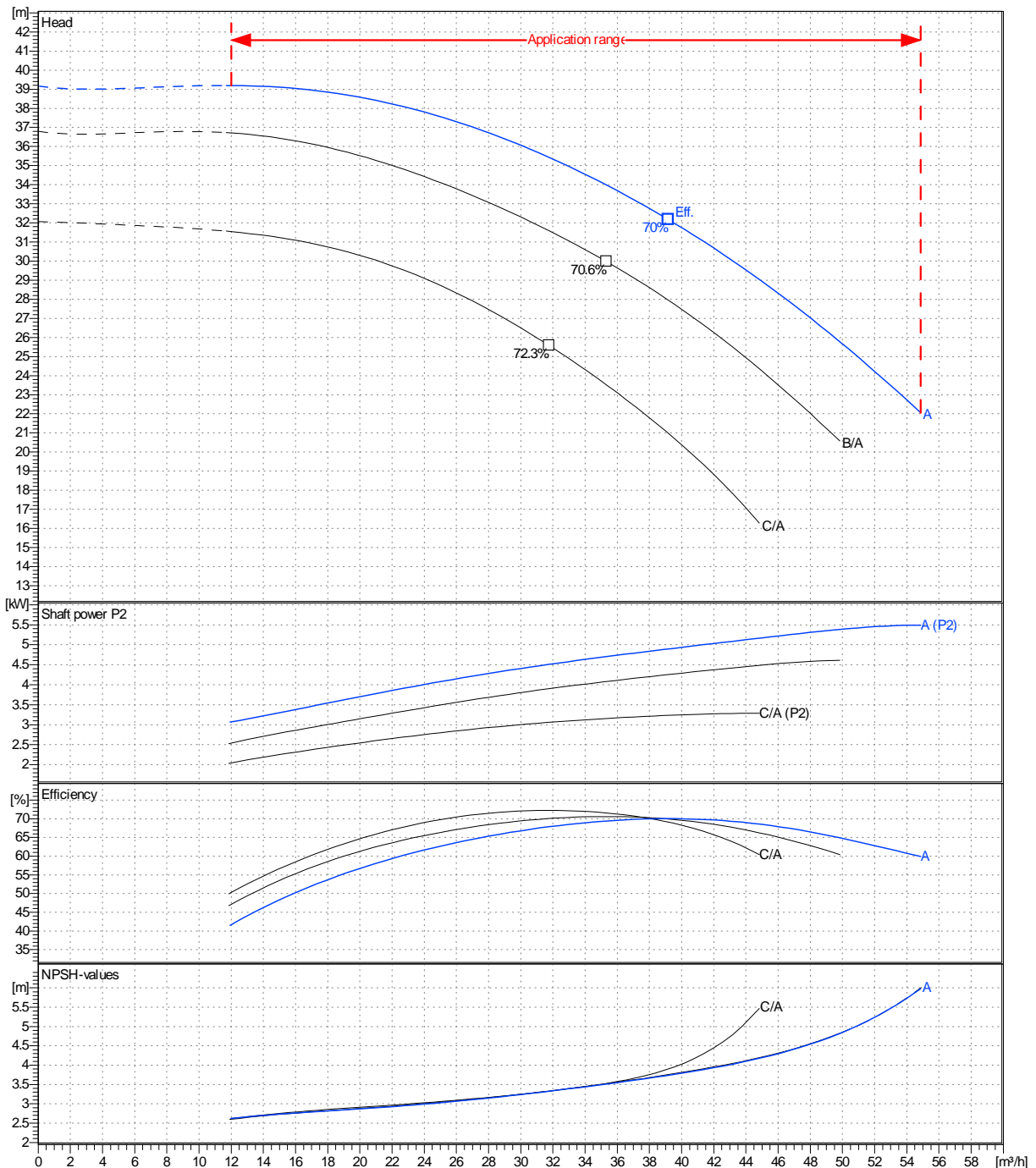
Project	Project ID	Created by	Created on	Last update
			2021-08-05	

Receiver	From
Company name	
Respons. Department	
Person in charge	
Phone number	
Fax no	
E-mail address	

Operating area	Flow	Head	Impeller type
Operating data specification	0 m ³ /h	0 m	Impeller construction: Closed
Pump data	m ³ /h	m	Sense of rotation: Clockwise from the drive end
			Outlet width: DN40
	Flow	Head	Shaft power P2
	Min. Max. η Max.	H(Q=0) η Max.	P2(Q=0) Max. η Max.
	m ³ /h m ³ /h m ³ /h	m m	kW kW kW
	12 54.9 39.2	39.2 32.2	5.49 4.9
			Speed: 1/min 2900
			Frequency: Hz 50 Hz

 Performance data based to: Water, pure [100%]; 20°C; 0.998kg/dm³; 1mm²/s

UNI EN ISO 9906:2012 - Grade 3B



Project	Project ID	Created by	Created on 2021-08-05	Last update
---------	------------	------------	---------------------------------	-------------

Revision no

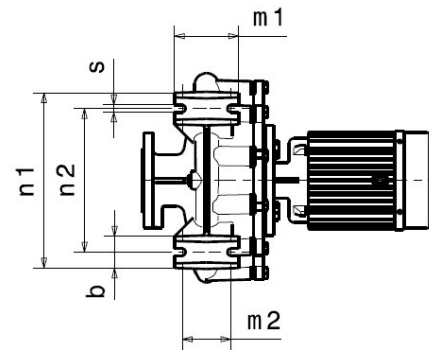
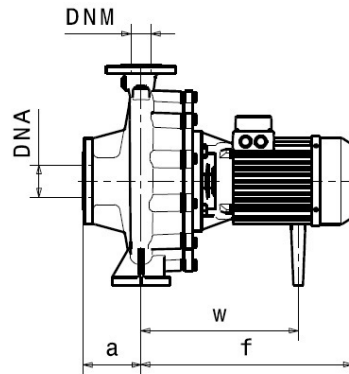
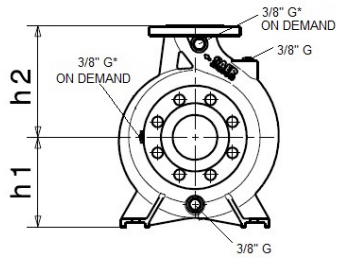
Pump dimensions

Connections

Suction side DN65 PN10 / PN16	Discharge port DN40 PN10 / PN16
-------------------------------------	---------------------------------------

Dimensions in mm

a	80		
b	50		
f	450		
h1	132		
h2	160		
m1	100		
m2	70		
n1	240		
n2	190		
s	14		
w	304		



Disegni dimensionali e immagini non vincolanti. Saer si riserva il diritto di effettuare cambiamenti senza alcun preavviso. Dimensional drawing and picture are not binding. Saer reserves the right to make changes without prior notice.

Project

Project ID

Created by

Created on
2021-08-05

Last update