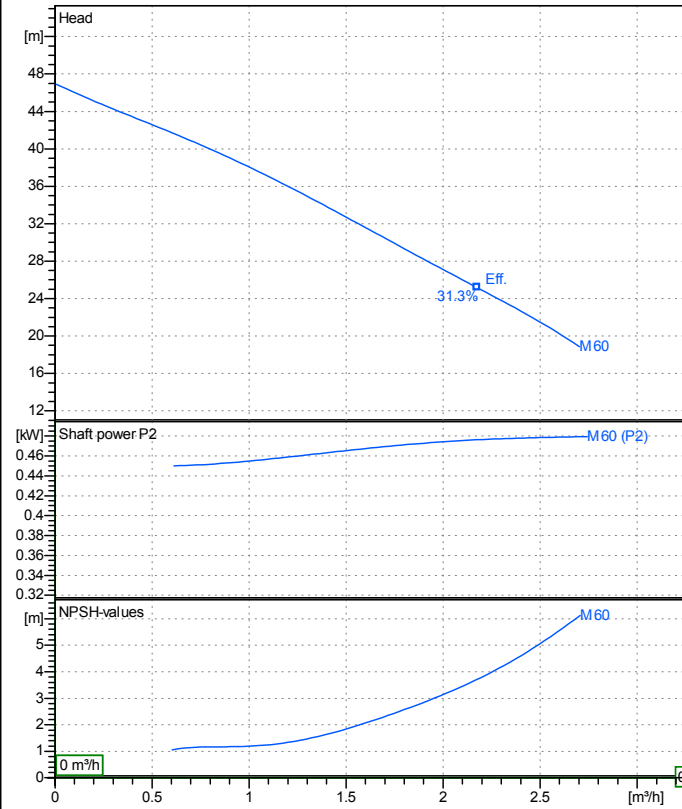


Receiver

From

 Company name
 Respons. Department
 Person in charge
 Phone number
 Fax no
 E-mail address

Operating data specification

Nominal flow	m³/h 0
Nominal head	m 0
Static head	m 0
NPSH - v alue of plant	m 0
Inlet pressure	kPa 9.793
Fluid	Water, pure
Operating temperature t A	°C 20
Density at t A	kg/m³ 998.3
Kin. viscosity at t A	mm²/s 1.005

Pump

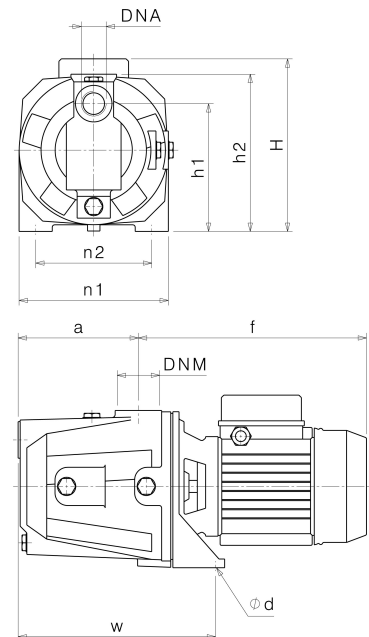
Pump name		M 60	
Size			
Design			
Speed	rpm 2850	No of stages	1
Impeller type			
Flow	Nominal	m³/h	
	Max-	m³/h 2.7	
	Min-	m³/h 0.00128	
Head	Nominal	m	
	Max-	m 47	
	Min-	m 18.8	
Head H(Q=0)		m 47	
NPSH 3%		m	
Max. working pressure		kPa 460	
Shaft power		kW	
Efficiency		%	
Max absorbed power		kW 0.47952	

Materials Pump

Pump body	Cast iron G20
Plug	Brass
Gasket	Aluminium
Nut	Brass
Impeller	Thermoplastic resin
Rotating mechanical seal	Graphite
Fixed mechanical seal	Ceramic
OR	Rubber NBR
Seal retaining disc	Stainless steel AISI 304

Dimensions in mm

a	144
DNA	G 1"
DNM	G 1"
f	277
H	207
h1	154
h2	188
n1	180
n2	140
ød	9
w	240



Motor	Frame size	71		
Manufacturer / Type	SAER 71 2 - 0,37 1~			
Rated power	kW 0.37	Efficiency 4/4	- %	
Electric current	A 2.3 A	Speed	rpm 2950	
Electric voltage	V 230 V	1~	Hz 50	
Starting mode	Unknown			
Degree of protection	IP 44	Insulation class	F	

Remarks:

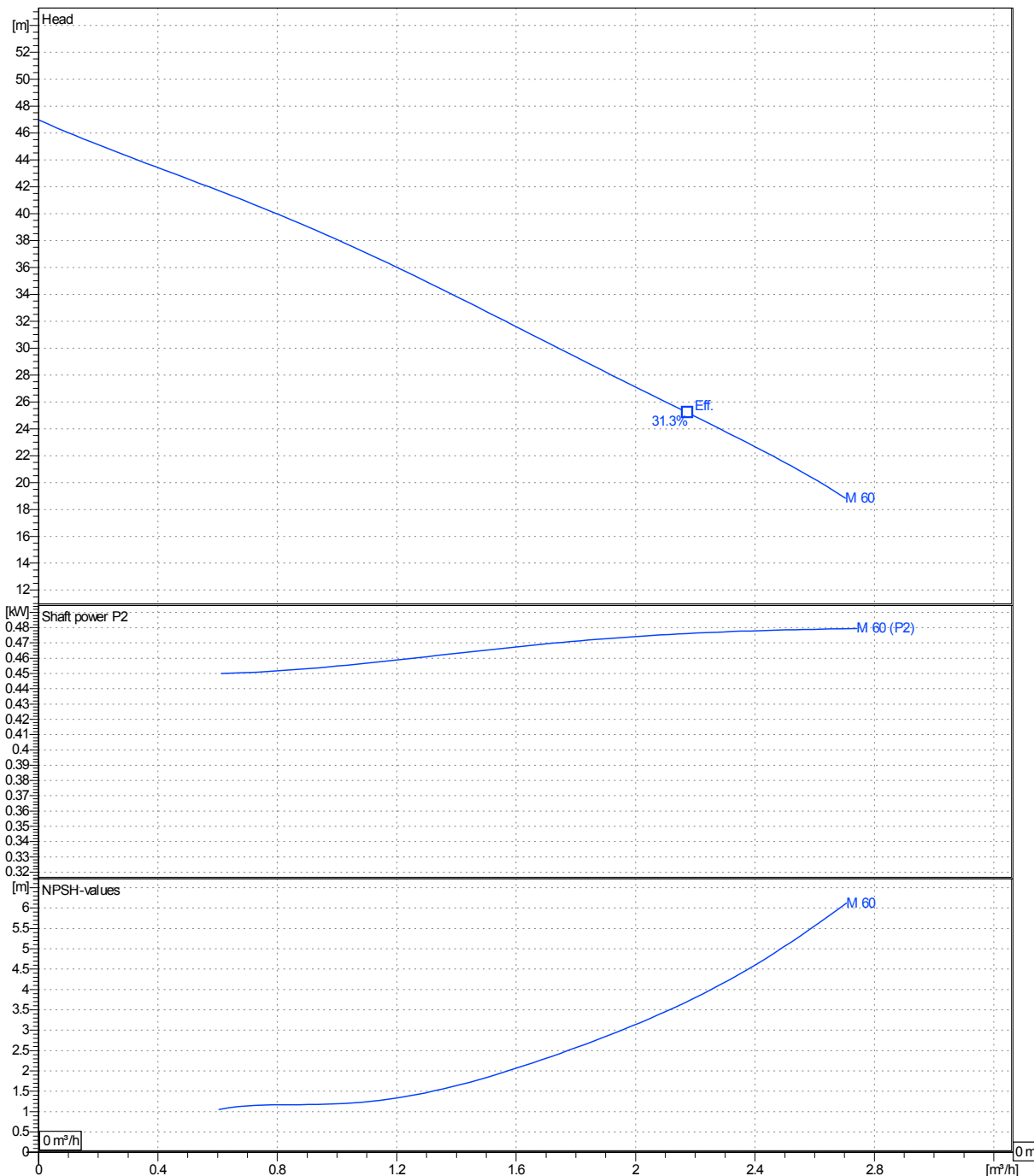
Project	Project ID	Created by	Created on 7/30/2019	Last update
---------	------------	------------	--------------------------------	-------------

Receiver	From
Company name	
Respons. Department	
Person in charge	
Phone number	
Fax no	
E-mail address	

Operating area	Flow	Head	Impeller type
Operating data specification	0 m ³ /h	0 m	Impeller construction
Pump data	m ³ /h	m	Sense of rotation
			Clockwise from the drive end
			Outlet width
			G1"
	Flow	Head	Shaft power P2
	Min. Max. η Max.	H(Q=0) η Max.	P2(Q=0) Max. η Max.
	m ³ /h m ³ /h m ³ /h	m m	kW kW kW
	0.0012 2.7 2.17	47 25.2	0.48 0.476
			Speed rpm 2850
			Frequency Hz 50 Hz

Performance data based to: Water, pure [100%]; 20°C; 998kg/m³; 1mm²/s

UNI EN ISO 9906:2012 - Grade 3B



Project	Project ID	Created by	Created on	Last update
			7/30/2019	