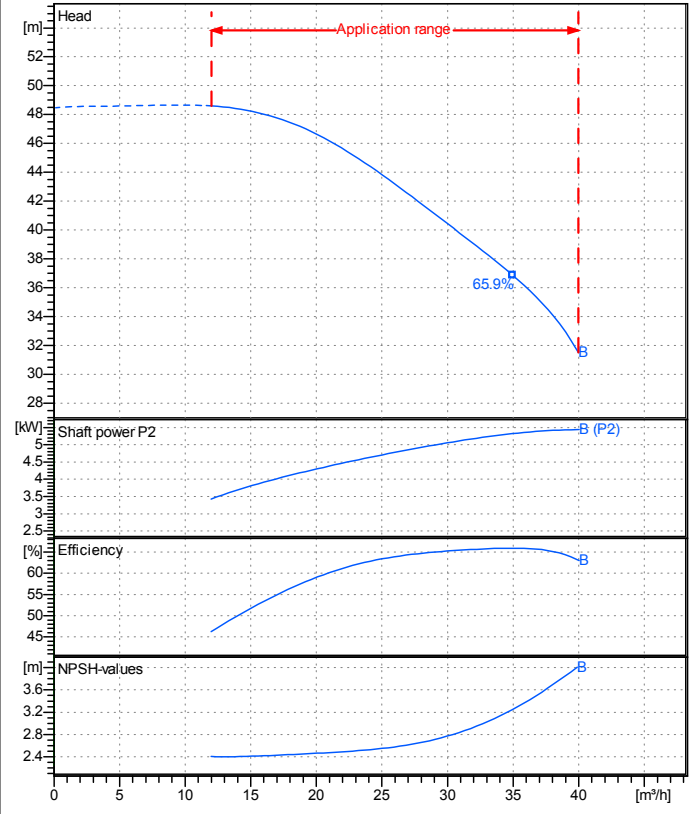


Company name  
 Respons. Department  
 Person in charge  
 Phone number  
 Fax no  
 E-mail address

Receiver	From



### Operating data specification

Nominal flow	m³/h 0
Nominal head	m 0
Static head	m 0
NPSH - v alue of plant	m 0
Inlet pressure	kPa 9.793
Fluid	Water, pure
Operating temperature t A	°C 20
Density at t A	kg/m³ 998.3
Kin. viscosity at t A	mm²/s 1.005

### Pump

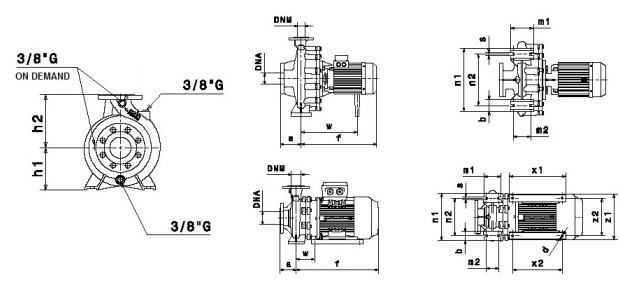
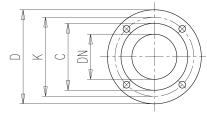
Pump name	IR40-200B		
Size	65/40/200		
MEI (Reg. 547/2002 EU) >	0,7		
Speed rpm	2900	No of stages	1
Impeller type			
Flow	Nominal	m³/h	
	Max-	m³/h	40
	Min-	m³/h	12
Head	Nominal	m	
	Max-	m	48.6
	Min-	m	31.5
Head H(Q=0)	m	48.5	
NPSH 3%	m		
Max. working pressure	kPa	475	
Shaft power	kW		
Efficiency	%		
Max absorbed power	kW	5.439	

### Materials Pump

Shaft	Stainless steel AISI 431 (1.4057)		
Impeller	Cast iron EN-GJL-250		
Pump body	Cast iron EN-GJL-250		
Seal disc	Cast iron EN-GJL-250		
Gasket	Natural fiber		
Mechanical seal	BVEG (Grafito/Ossido Allumina/EPDM)		

### Dimensions in mm

a	100	DNM		DNA	
b	50	C	88	C	122
f	450	D	150	D	185
h1	160	DN	40	DN	65
h2	180	K	110	K	145
m1	100	n°	4 x 19 mm	n°	4 x 19 mm
m2	70				
n1	265				
n2	212				
s	14				
w	304				



<b>Motor</b>	Manufacturer / Type		SAER 112-2P-7,5	
Efficiency	IEC 60034-30		IE2	
Rated power	kW	5.5	Efficiency 4/4	87.4 %
Number of poles	2		Frame size	112
Electric current	A	10.5 A	Speed	rpm 2910
Electric voltage	V	400 V	3~	Hz 50
Starting mode	Star-delta			
Degree of protection	IP 55		Insulation class	F

Remarks:

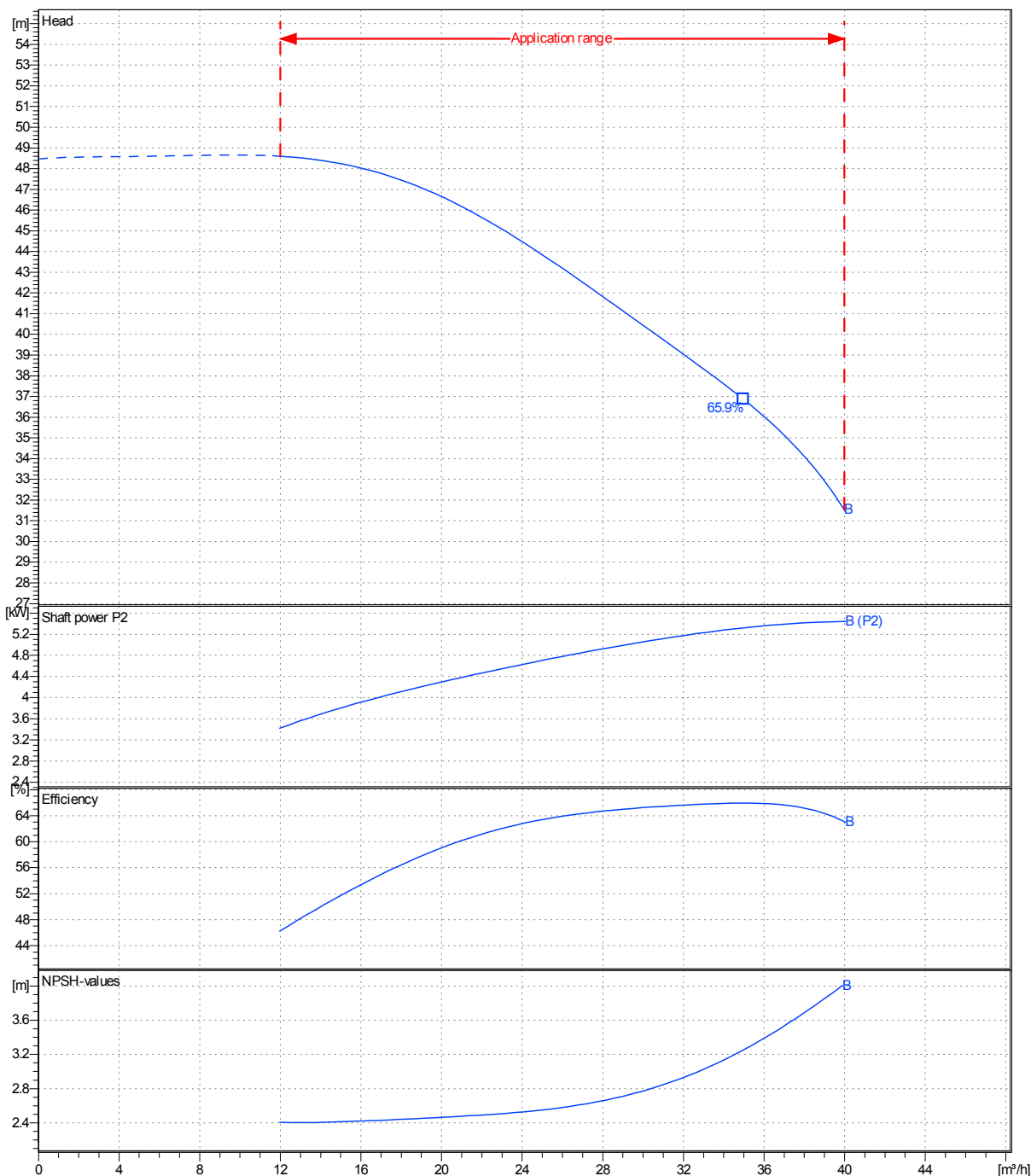
Project	Project ID	Created by	Created on	Last update
			<b>8/6/2019</b>	

<b>Receiver</b>	<b>From</b>
Company name	
Respons. Department	
Person in charge	
Phone number	
Fax no	
E-mail address	

Operating area	Flow	Head	Impeller type
Operating data specification	0 m <sup>3</sup> /h	0 m	Impeller construction: Closed
Pump data	m <sup>3</sup> /h	m	Sense of rotation: Clockwise from the drive end
			Outlet width: DN40
	Flow	Head	Shaft power P2
	Min. Max. $\eta$ Max.	H(Q=0) $\eta$ Max.	P2(Q=0) Max. $\eta$ Max.
	m <sup>3</sup> /h m <sup>3</sup> /h m <sup>3</sup> /h	m m	kW kW kW
	12 40 35	48.5 36.9	5.44 5.32
			Speed rpm: 2900
			Frequency Hz: 50 Hz

Performance data based to: Water, pure [100%]; 20°C; 998kg/m<sup>3</sup>; 1mm<sup>2</sup>/s

UNI EN ISO 9906:2012 - Grade 3B



Project	Project ID	Created by	Created on	Last update
			<b>8/6/2019</b>	

Revision no

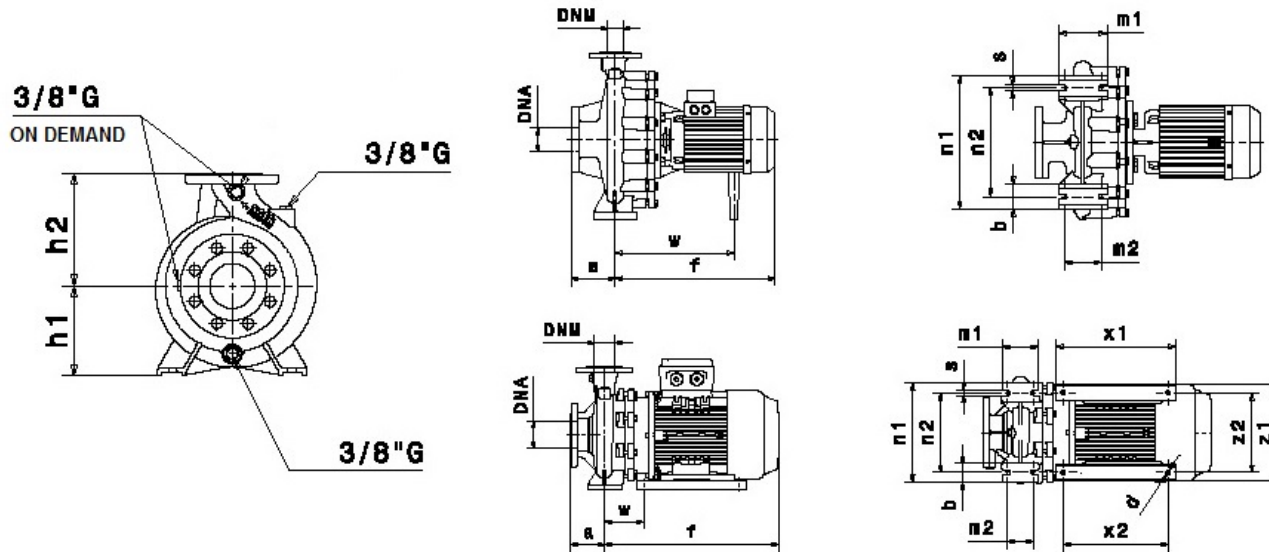
Pump dimensions

Connections

Suction side	Discharge port
DN65	DN40
PN10 /	PN10 /

Dimensions in mm

a	100
b	50
f	450
h1	160
h2	180
m1	100
m2	70
n1	265
n2	212
s	14
w	304



Disegni dimensionali e immagini non vincolanti. Saer si riserva il diritto di effettuare cambiamenti senza alcun preavviso. Dimensional drawing and picture are not binding. Saer reserves the right to make changes without prior notice.

Project

Project ID

Created by

Created on  
8/6/2019

Last update