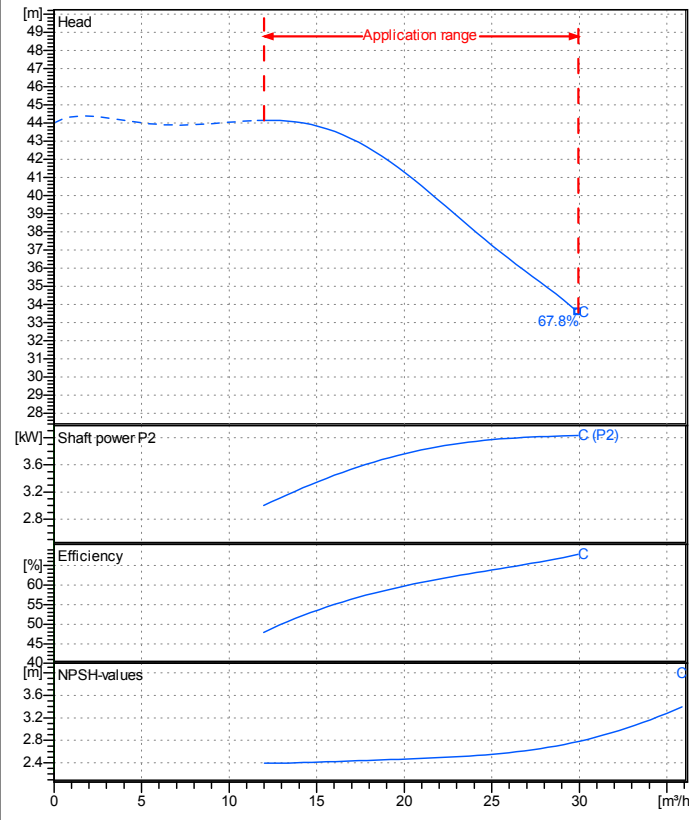


Company name
 Respons. Department
 Person in charge
 Phone number
 Fax no
 E-mail address

Receiver	From



Operating data specification

Nominal flow	m ³ /h 0
Nominal head	m 0
Static head	m 0
NPSH - v alue of plant	m 0
Inlet pressure	kPa 9.793
Fluid	Water, pure
Operating temperature t A	°C 20
Density at t A	kg/m ³ 998.3
Kin. viscosity at t A	mm ² /s 1.005

Pump

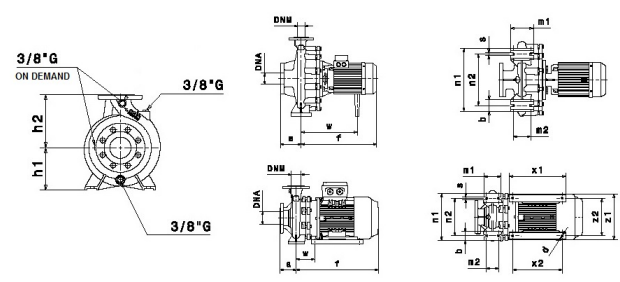
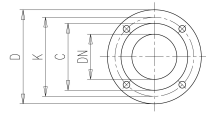
Pump name	IR40-200C		
Size	65/40/200		
MEI (Reg. 547/2002 EU) >	0,7		
Speed rpm	2900	No of stages	1
Impeller type			
Flow	Nominal	m ³ /h	
	Max-	m ³ /h 30	
	Min-	m ³ /h	
Head	Nominal	m	
	Max-	m	
	Min-	m 33.5	
Head H(Q=0)	m 44		
NPSH 3%	m		
Max. working pressure	kPa 431		
Shaft power	kW		
Efficiency	%		
Max absorbed power	kW 4.0304		

Materials Pump

Shaft	Stainless steel AISI 431 (1.4057)
Impeller	Cast iron EN-GJL-250
Pump body	Cast iron EN-GJL-250
Seal disc	Cast iron EN-GJL-250
Gasket	Natural fiber
Mechanical seal	BVEG (Grafito/Ossido Allumina/EPDM)

Dimensions in mm

a	100	DNM		DNA	
b	50	C	88	C	122
f	426	D	150	D	185
h1	160	DN	40	DN	65
h2	180	K	110	K	145
m1	100	n°	4 x 19 mm	n°	4 x 19 mm
m2	70				
n1	265				
n2	212				
s	14				
w	304				



Motor	Manufacturer / Type	SAER	112-2P-5,5	
Efficiency	IEC 60034-30	IE2		
Rated power	kW 4	Efficiency 4/4	86.2 %	
Number of poles	2	Frame size	112	
Electric current	A 7.5 A	Speed	rpm	2895
Electric voltage	V 400 V	3~	Hz	50
Starting mode	Star-delta			
Degree of protection	IP 55	Insulation class	F	

Remarks:

Project	Project ID	Created by	Created on	Last update
			8/6/2019	

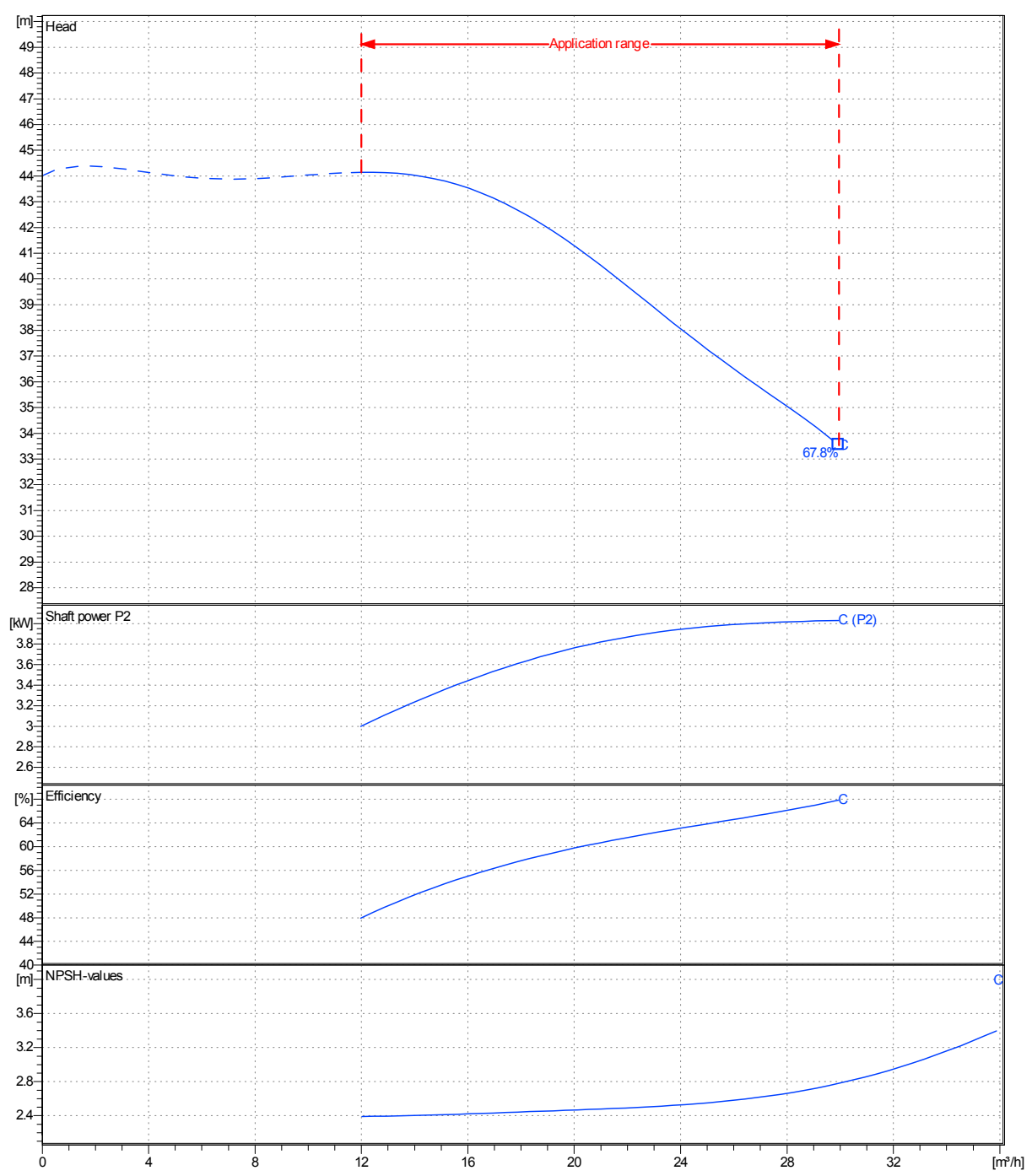
Receiver	From

Company name				
Respons. Department				
Person in charge				
Phone number				
Fax no				
E-mail address				

Operating area	Flow	Head	Impeller type	
Operating data specification	0 m ³ /h	0 m	Impeller construction	Closed
Pump data	m ³ /h	m	Sense of rotation	Clockwise from the drive end
			Outlet width	DN40

Flow			Head		Shaft power P2			Speed	rpm	2900
Min.	Max.	η Max.	H(Q=0)	η Max.	P2(Q=0)	Max.	η Max.	Frequency	Hz	50 Hz
m ³ /h	m ³ /h	m ³ /h	m	m	kW	kW	kW			
12	30	29.9	44	33.6		4.03	4.03			

Performance data based to: Water, pure [100%] ; 20°C; 998kg/m³; 1mm²/s UNI EN ISO 9906:2012 - Grade 3B



Project	Project ID	Created by	Created on	Last update
			8/6/2019	

Revision no

Pump dimensions

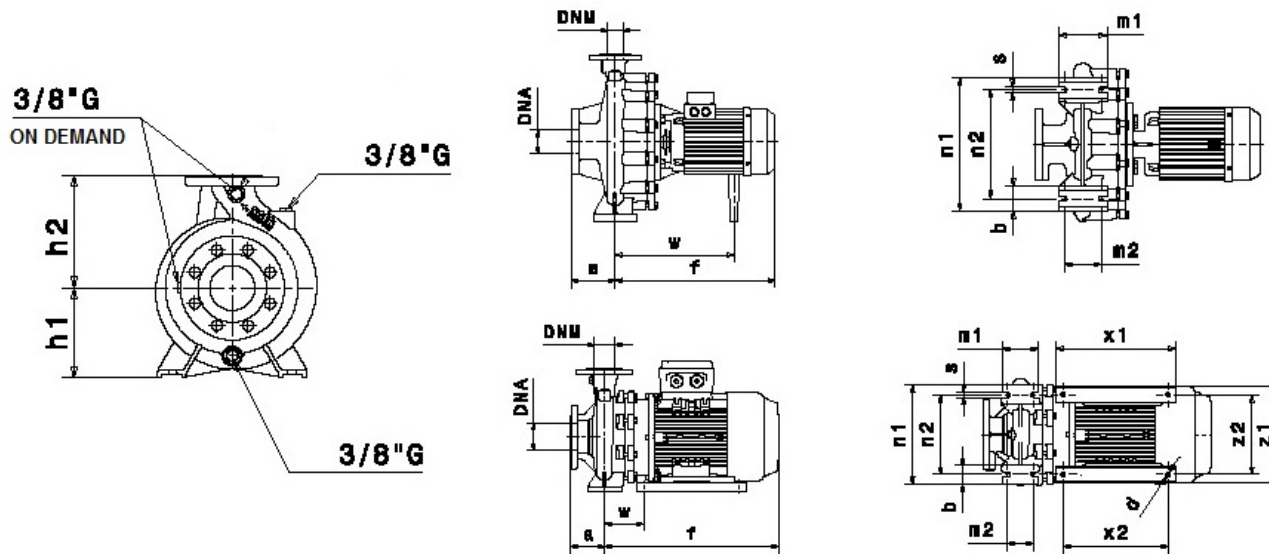
Connections

Suction side	Discharge port
DN65	DN40
PN10 /	PN10 /

Dimensions in mm

a	100
b	50
f	426
h1	160
h2	180
m1	100
m2	70
n1	265
n2	212
s	14
w	304

Disegni dimensionali e immagini non vincolanti. Saer si riserva il diritto di effettuare cambiamenti senza alcun preavviso.
Dimensional drawing and picture are not binding. Saer reserves the right to make changes without prior notice.



Project

Project ID

Created by

Created on
8/6/2019

Last update