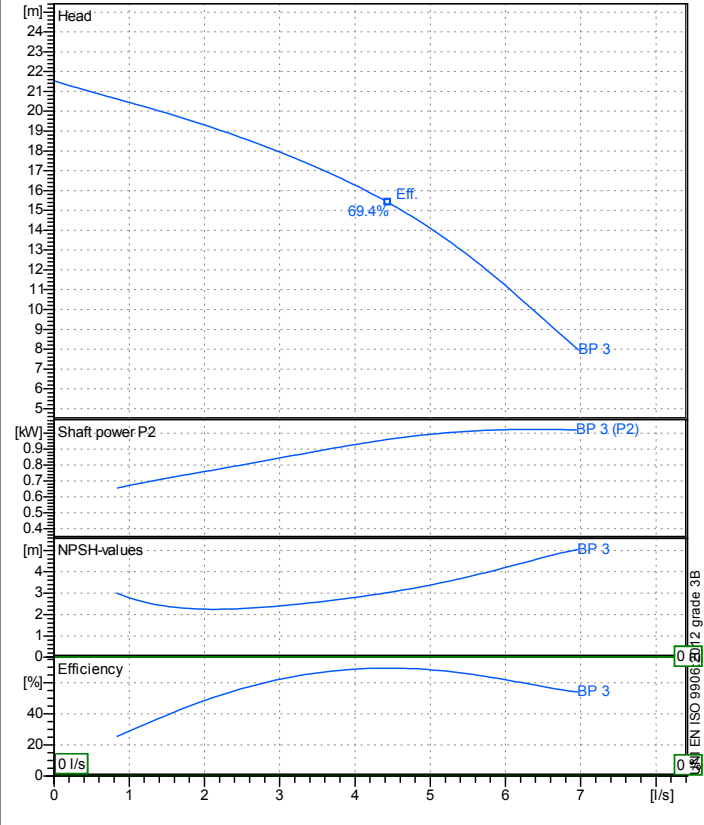


Company name
Respons. Department
Person in charge
Phone number
Fax no
E-mail address

Receiver	From



Operating data specification

Nominal flow	l/s 0
Nominal head	m 0
Static head	m 0
NPSH - v alue of plant	m 0
Inlet pressure	kPa 9.793
Fluid	Water, pure
Operating temperature t A	°C 20
Density at t A	kg/m³ 998.3
Kin. viscosity at t A	mm²/s 1.005

Pump

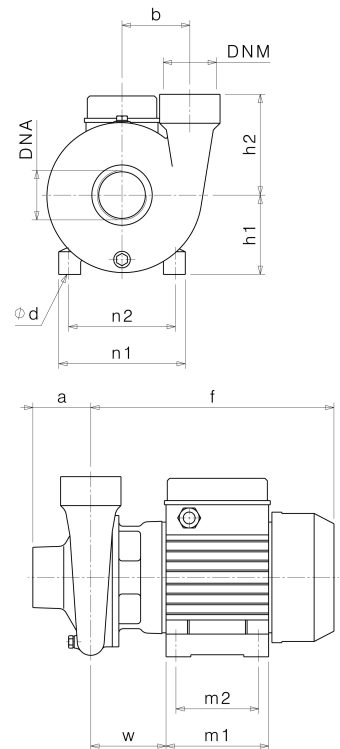
Pump name	BP 3		
Size			
Design			
Speed rpm	2850	No of stages	1
Impeller type			
Flow	Nominal	l/s	
	Max-	l/s	6.97
	Min-	l/s	0
Head	Nominal	m	
	Max-	m	21.5
	Min-	m	7.97
Head H(Q=0)	m	21.5	
NPSH 3%	m		
Max. working pressure	kPa	211	
Shaft power	kW		
Efficiency	%		
Max absorbed power	kW	1.0247	

Materials Pump

Shaft	Stainless steel AISI 420 (1.4028)		
Impeller	Carbon steel G20Mn5 (1.6620)		
Pump body	Cast iron EN-GJL-200		
Support	Cast iron EN-GJL-200		
OR	NBR Rubber		
Mechanical seal	BXPB (Gra/Cer/NBR)		

Dimensions in mm

- a 70
- DNA G 2"
- DNM G 2"
- f 294
- h1 96
- h2 122
- m1 124
- m2 100
- n1 152
- n2 125
- ød 9
- w 88



Motor	Frame size	80		
Manufacturer / Type	SAER 80 2 - 0,75 1~			
Rated power	kW 0.75	Efficiency 4/4	- %	
Electric current	A 6.8 A	Speed	rpm 2950	
Electric voltage	V 230 V	1~	Hz 50	
Starting mode	Unknown			
Degree of protection	IP 44	Insulation class	F	

Remarks:

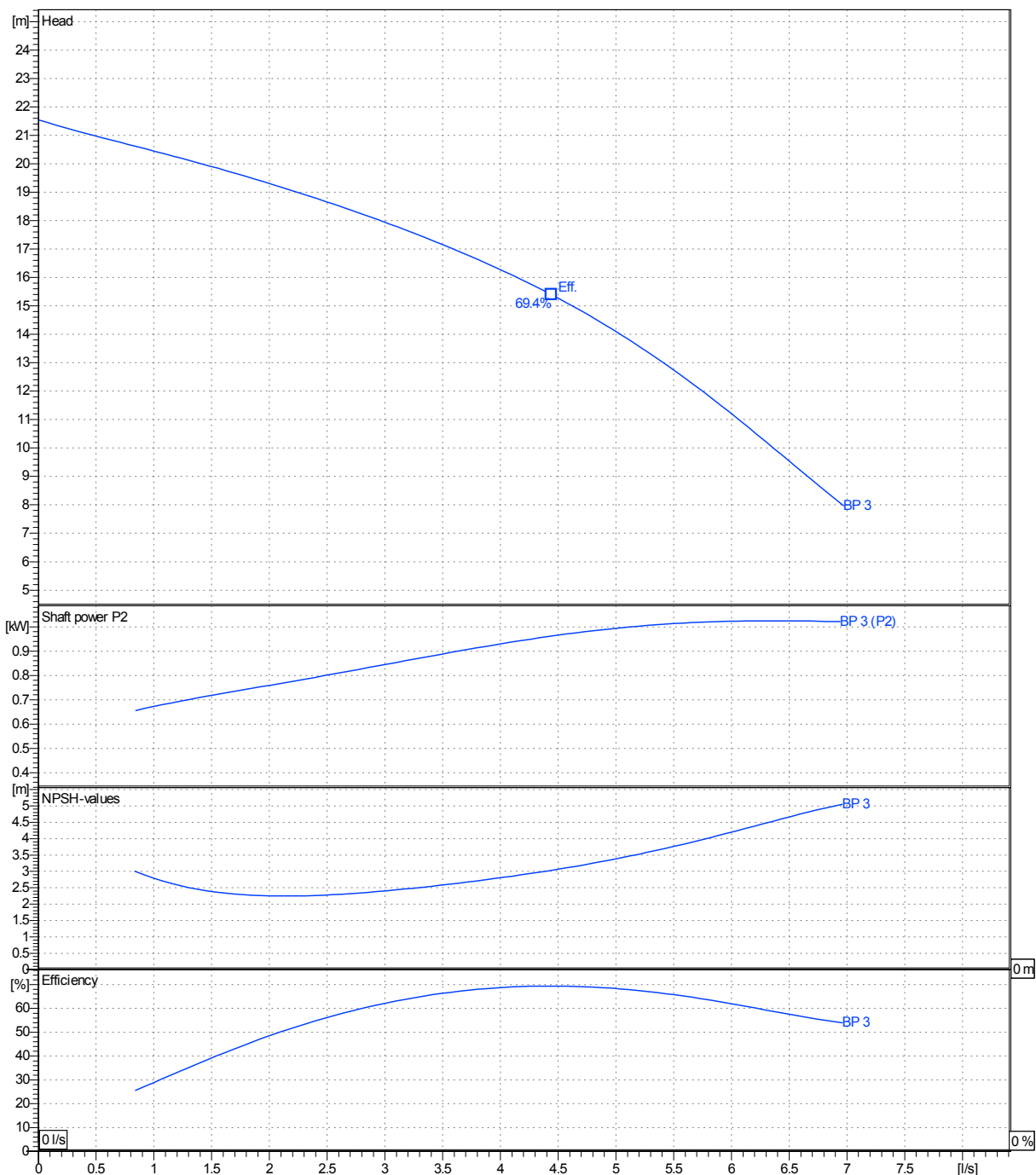
Project	Project ID	Created by	Created on 8/22/2019	Last update
---------	------------	------------	--------------------------------	-------------

Receiver	From
Company name	
Respons. Department	
Person in charge	
Phone number	
Fax no	
E-mail address	

Operating area	Flow	Head	Impeller type
Operating data specification	0 l/s	0 m	Impeller construction: Closed
Pump data	l/s	m	Sense of rotation: Clockwise from the drive end
			Outlet width: G2"
	Flow	Head	Shaft power P2
	Min. Max. η Max.	H(Q=0) η Max.	P2(Q=0) Max. η Max.
	l/s l/s l/s	m m	kW kW kW
	0 6.97 4.44	21.5 15.4	1.02 0.962
			Speed rpm: 2850
			Frequency Hz: 50 Hz

Performance data based to: Water, pure [100%]; 20°C; 998kg/m³; 1mm²/s

UNI EN ISO 9906:2012 - Grade 3B



Project	Project ID	Created by	Created on	Last update
			8/22/2019	