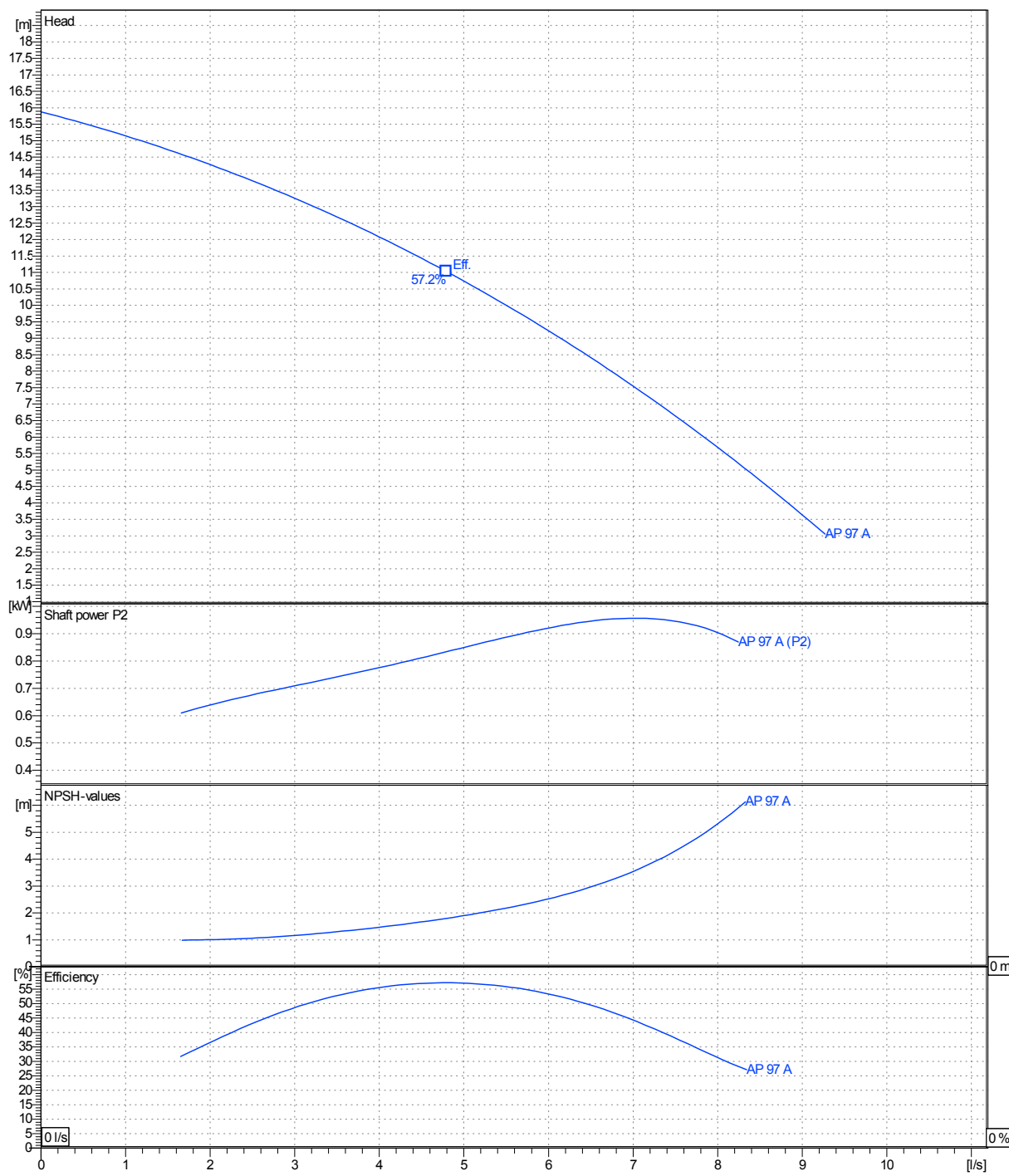


Receiver	From
Company name	
Respons. Department	
Person in charge	
Phone number	
Fax no	
E-mail address	

Operating area										Impeller type	
Ø	Flow			Head		Shaft power P2			Impeller construction		
	Impeller mm	Min. l/s	Max. l/s	η Max. l/s	H(Q=0) m	η Max. m	P2(Q=0) kW	Max. kW	η Max. kW	Sense of rotation	Clockwise from the drive end
Actual	0	0	9.27	4.79	15.9	11		0	0.834	Outlet width	G2"
Min.	0	/	/	4.79	15.9	11		0.87	0.834	Frequency	Hz 50 Hz
Max.	0	/	/	4.79	15.9	11		0.957	0.834	Speed	rpm 2850

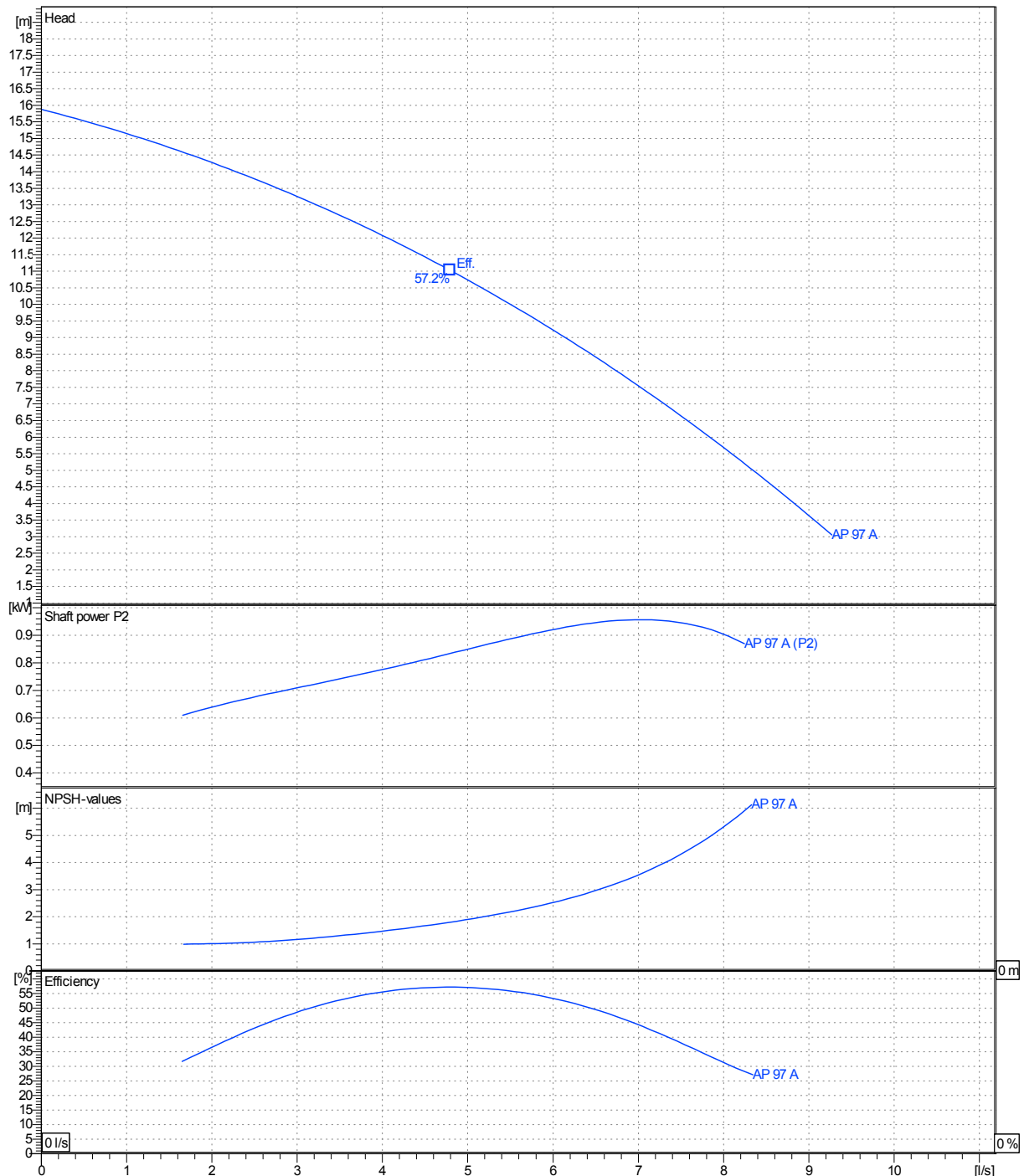
Performance data based to: Water, pure [100%] ; 20°C; 998kg/m³; 1mm²/s



Receiver	From
Company name	
Respons. Department	
Person in charge	
Phone number	
Fax no	
E-mail address	

Operating area										Impeller type	
\varnothing Impeller mm	Flow			Head		Shaft power P2			Impeller construction		
	Min. l/s	Max. l/s	η Max. l/s	H(Q=0) m	η Max. m	P2(Q=0) kW	Max. kW	η Max. kW	Sense of rotation	Clockwise from the drive end	
Actual	0	9.27	4.79	15.9	11		0	0.834	Outlet width		
Min.	/	/	4.79	15.9	11		0.87	0.834	Frequency		
Max.	/	/	4.79	15.9	11		0.957	0.834	Hz	50 Hz	
									Speed		
									rpm	2850	

Performance data based to: Water, pure [100%] ; 20°C; 998kg/m³; 1mm²/s



Project	Project ID	Created by	Created on 8/22/2019	Last update
---------	------------	------------	--------------------------------	-------------

Type of installation
AP 97 A

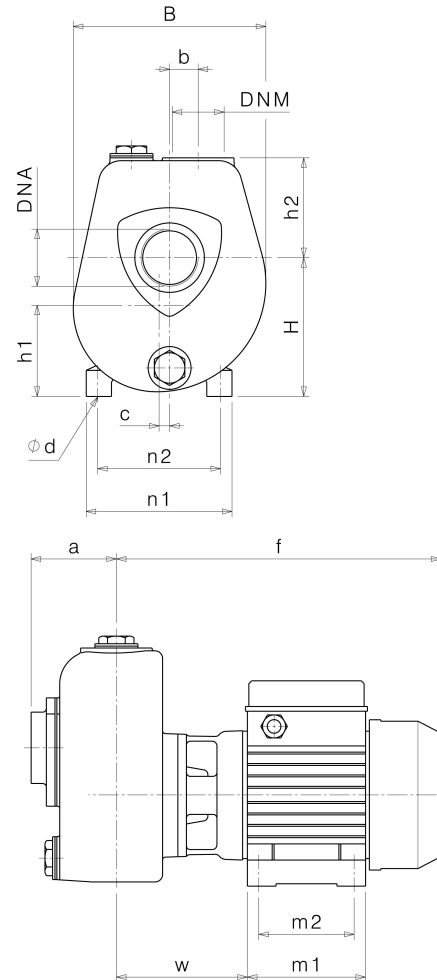
Company name
Person in charge
Phone number
Fax no
E-mail address

Receiver

From

Revision no

Dimensions



Connections

Suction side
G2"

Discharge port
G2"

Dimensions in mm

a	90
b	30
B	202
c	11
DNA	G 2"
DNM	G 2"
f	340
H	146
h1	96
h2	105
m1	124
m2	100
n1	152
n2	125
ød	9
w	137

Project

Project ID

Created by

Created on
8/22/2019

Last update