

Anti-tamper cap valves



High draining capacity for easy and fast draining



Anti-tamper cap valve with integrated boiler filling and drain valve KFE

Application For connection, maintenance and checks of diaphragm expansion vessels in heating systems as per EN 12828 and in solar systems. To be installed at the water inlet of the expansion vessel.

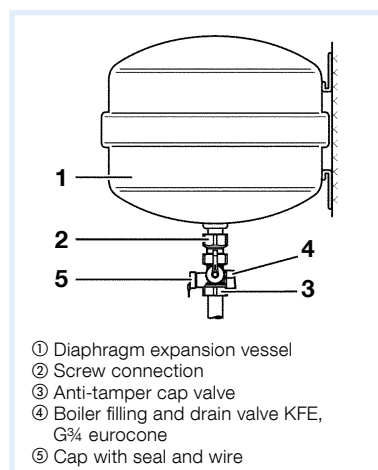
Description Anti-tamper cap valve with screw connection $G\frac{3}{4}$ x $G\frac{3}{4}$ or G1 x G1. The shut-off valve is secured against inadvertent closing by means of a cap and a lead seal. The integrated boiler filling and drain valve KFE (connection: $G\frac{3}{4}$ eurocone) allows for easy draining of the expansion vessel. For this purpose, a hose can be connected by means of a union nut. The expansion vessel can be shut off from the heating system and drained with a high draining capacity (time saving) via the drain valve for the required function check or for replacement.

Technical specifications

Operating pressure
Max. 10 bar

Operating temperature range
Operation: 0/120 °C

Drain capacity
Flow coefficient NS: 1.5 m³/h



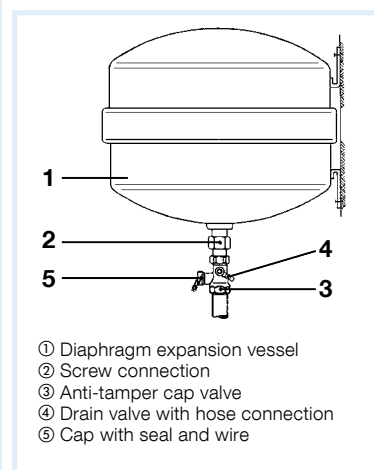
Anti-tamper cap valve with drain valve

Anti-tamper cap valve with screw connection $G\frac{3}{4}$ x $G\frac{3}{4}$ or G1 x G1. The shut-off valve is secured against inadvertent closing by means of a cap and a lead seal. Valve operation via standard square spanner AF 5 for radiator vent valves. The expansion vessel can be shut off from the heating system and drained via the drain valve for the required function test or for replacement.

Operating pressure
Max. 10 bar

Operating temperature range
Operation: 0/120 °C

Drain capacity
Flow coefficient NS: 0.5 m³/h



DG: G, PG: 2			Part no.	Price €
Anti-tamper cap valve $G\frac{3}{4}$ x $G\frac{3}{4}$ with integrated boiler filling and drain valve KFE $G\frac{3}{4}$	1	25	77949	
Anti-tamper cap valve G1 x G1 with integrated boiler filling and drain valve KFE $G\frac{3}{4}$	1	25	77950	
Anti-tamper cap valve $G\frac{3}{4}$ x $G\frac{3}{4}$ with drain cock	1	25	77924	
Anti-tamper cap valve G1 x G1 with drain cock	1	25	77934	