

EVOSTA 2 SAN

WET ROTOR ELECTRONIC CIRCULATORS



TECHNICAL DATA

Operating range: 0,4-4,2 m³/h with head up to 8 metres.

Pumped liquid temperature range: from -10 °C to +110°C

Working pressure: 10 bar (1000 kPa)

Protection class: IPX5

Insulation class: F

Installation: with horizontal motor axis.

Standard power input: single-phase 1x230 V~ 50/60 Hz

Pumped liquid: Clean, free of solids and mineral oils, non-viscous, chemically neutral, with properties similar to water (glycol max 30%).

APPLICATIONS

Low energy consumption electronic pump for domestic hot water circulation.

ADVANTAGES

The new range of **EVOSTA 2 SAN** circulators by DAB combines the strength of a mechanical circulator with the benefits of an electronic circulator.

Thanks to the permanent magnet synchronous motor, the frequency converter, as well as the protection class IPX5 and the integrated bleeding plug, **EVOSTA 2 SAN** family ranks as one of the best products in the category in terms of performance and reliability. The range of **EVOSTA 2 SAN** circulators is the perfect replacement for old three-speed circulators due to its compact size and all-round performance. The product is also extremely user-friendly, with a single button for sequential setting and direct access to the motor shaft for unlocking it when necessary.

CONSTRUCTION FEATURES

Bronze pump body and wet rotor motor. Steel motor casing, technopolymer impeller. Ceramic motor shaft on ceramic bushings lubricated by the pumped liquid. Stainless steel rotor liner and closing flange. Graphite thrust ring. EPDM seal ring and brass air bleeding plug. Thanks to the internal protection of the motor, the pump does not require any overload protection.

CONTROL PANEL

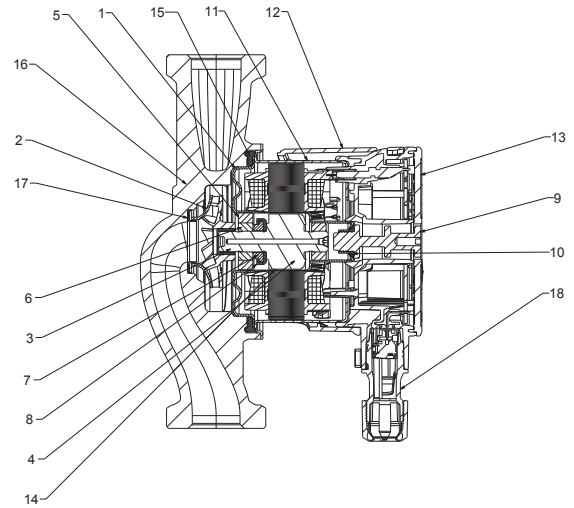
The settings of **EVOSTA 2 SAN** circulators can be modified in the control panel on the fascia of the pump. The pump has nine settings that can be selected scrolling the **MODE** button. Six illuminated segments on the display indicate the settings of the pump.

EVOSTA 2 SAN

WET ROTOR ELECTRONIC CIRCULATORS




MATERIALS

| N° | PARTS | MATERIALS |
|----|------------------|-----------------------------------|
| 1 | ROTOR CAN FLANGE | AISI 316 |
| 2 | IMPELLER | ULTRASON |
| 3 | SHAFT | ALUMINA |
| 4 | ROTOR | Fe |
| 5 | BEARING HOUSING | BRASS |
| 6 | BEARING | ALUMINA |
| 7 | AXIAL BEARING | GRAPHITE |
| 8 | AXIAL HOUSING | EPDM |
| 9 | PLUG | BRASS |
| 10 | O-ring | EPDM |
| 11 | STATOR HOUSING | AISI 304 |
| 12 | ENCLOUSER SHELL | POLYCARBONATE |
| 13 | ENCLOUSER | POLYCARBONATE |
| 14 | ROTOR SLEEVE | AISI 304 |
| 15 | SEAL | EPDM |
| 16 | PUMP HOUSING | CAST IRON - BRONZE (SAN VERSION) |
| 17 | NECK RING | AISI 304 |
| 18 | CONNECTOR | POLYCARBONATE |






REGULATION MODES

PROPORTIONAL PRESSURE REGULATION MODE




PP1
PP2
PP3

CONSTANT PRESSURE REGULATION MODE

CP1
CP2
CP3

FIXED CURVE REGULATION MODE

I
II
III

Model Number:
(example)

EVOSTA 2 SAN

40/70

150

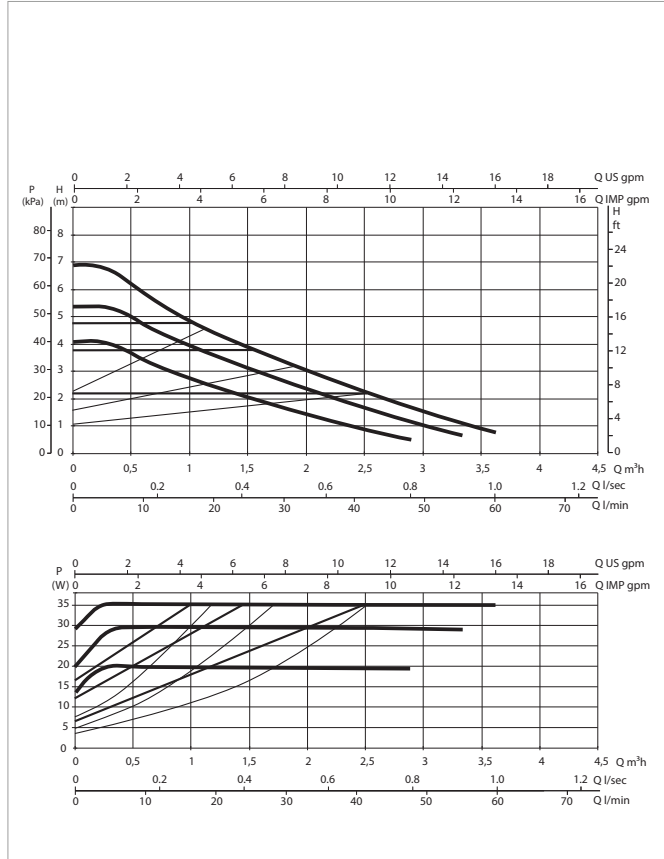
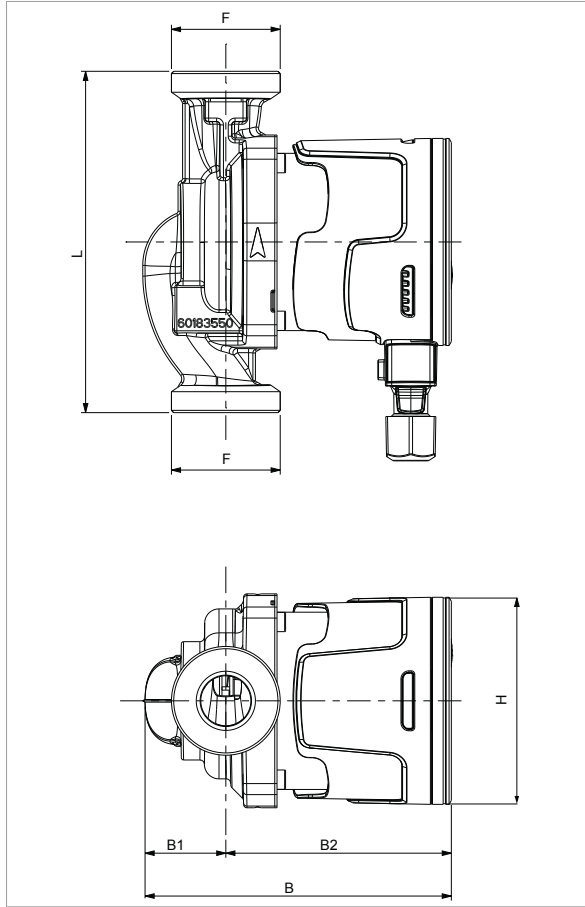
Threaded connection electronic circulator

Maximum head range (dm)

Centre distance (mm)

EVOSTA 2 SAN - ELECTRONIC CIRCULATORS FOR DOMESTIC HEATING SYSTEMS - SINGLE, WITH UNIONS

Pumped liquid temperature range: from -10 °C to +110 °C - Maximum operating pressure: 10 bar (1000 kPa)



The performance curves are based on kinematic viscosity values = 1 mm²/s and density equal to 1000 kg/m³. Curve tolerance according to ISO 9906.

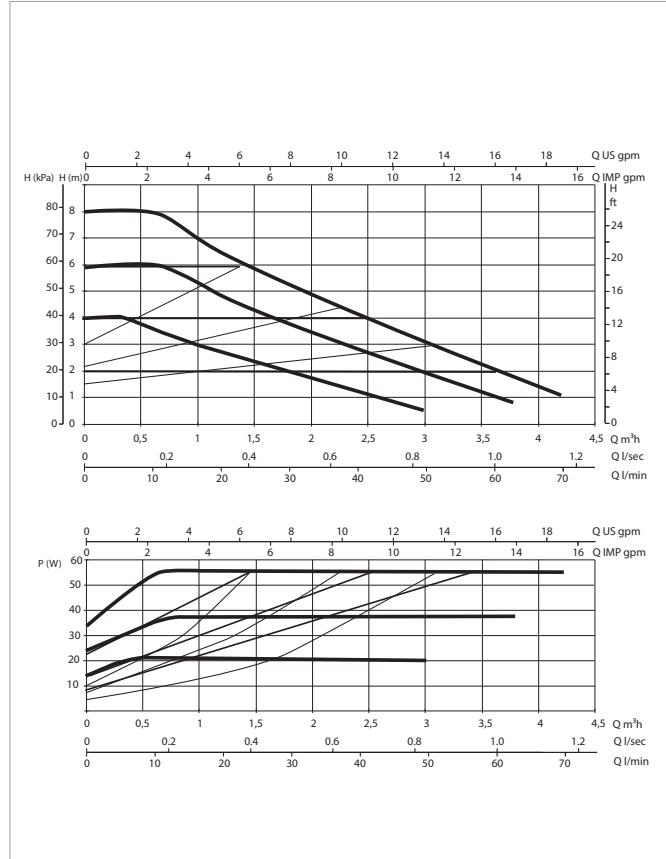
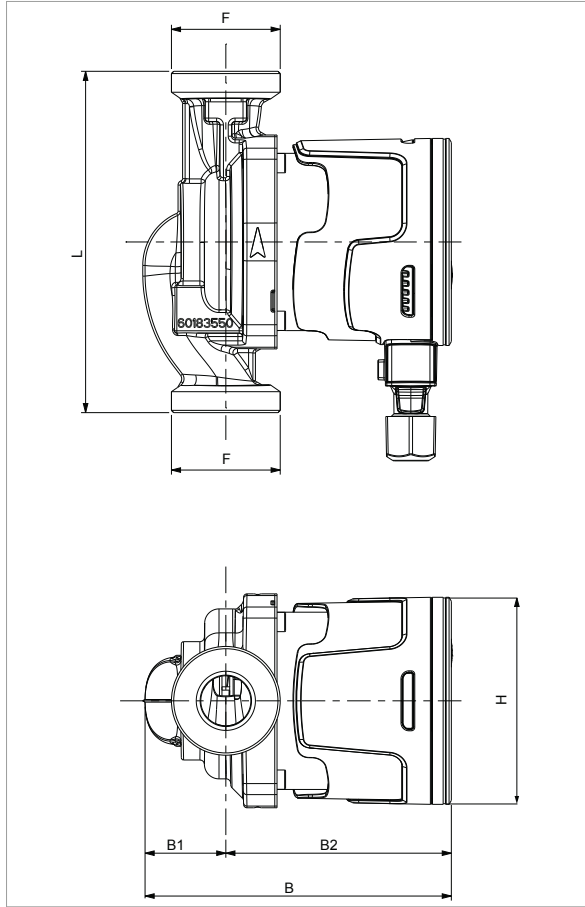
| MODEL | Q=m ³ h | 0,0 | 0,3 | 0,6 | 0,9 | 1,8 | 2,4 | 3,0 | 3,6 |
|--------------------------------|--------------------|-----|-----|-----|-----|-----|-----|-----|-----|
| | Q=l/min | 0 | 5 | 10 | 15 | 30 | 40 | 50 | 60 |
| EVOSTA 2 SAN 40 -70/150 | H (m) | 6,9 | 6,9 | 5,8 | 5,1 | 3,4 | 2,4 | 1,6 | 0,8 |

| MODEL | CENTRE DISTANCE mm | PUMP CONNECTIONS | POWER INPUT 50 Hz | P1 MAX W | In A | MINIMUM SUCTION PRESSURE | |
|--------------------------------|--------------------|------------------------|-------------------|----------|--------------|--------------------------|------|
| | | | | | | t° | 90 ° |
| EVOSTA 2 SAN 40 -70/150 | 150 | DN25 THREADED (G 1" ½) | 1x230 V ~ | 35 | 0,043 - 0,32 | m.c.a. | 10 |

| MODEL | L | L1 | B | B1 | B2 | H | F | PACKING DIMENSIONS | | | VOLUME m ³ | WEIGHT kg |
|--------------------------------|-----|----|-------|------|------|----|------|--------------------|----|-----|-----------------------|-----------|
| | | | | | | | | L | B | H | | |
| EVOSTA 2 SAN 40 -70/150 | 150 | 96 | 134,6 | 35,5 | 99,1 | 91 | 1" ½ | 192 | 99 | 150 | 0,0028 | 2,16 |

EVOSTA 2 SAN - ELECTRONIC CIRCULATORS FOR DOMESTIC HEATING SYSTEMS - SINGLE, WITH UNIONS

Pumped liquid temperature range: from -10 °C to +110 °C - Maximum operating pressure: 10 bar (1000 kPa)



The performance curves are based on kinematic viscosity values = 1 mm²/s and density equal to 1000 kg/m³. Curve tolerance according to ISO 9906.

| MODEL | Q=m ³ /h | 0,0 | 0,9 | 1,8 | 2,4 | 3,0 | 3,6 | 4,2 |
|-------------------------------|---------------------|-----|-----|-----|-----|-----|-----|-----|
| | Q=l/min | 0 | 15 | 30 | 40 | 50 | 60 | 70 |
| EVOSTA 2 SAN 80/150 1" | | 8 | 7,2 | 5,4 | 4,2 | 3,2 | 2,1 | 1 |

| MODEL | CENTRE DISTANCE mm | PUMP CONNECTIONS | POWER INPUT 50 Hz | P1 MAX W | In A | MINIMUM SUCTION PRESSURE | |
|-------------------------------|-----------------------|------------------------|----------------------|-------------|------------|--------------------------|------|
| | | | | | | t° | 90 ° |
| EVOSTA 2 SAN 80/150 1" | 150 | DN25 THREADED (G 1" ½) | 1x230 V ~ | 55 | 0,053-0,47 | m.c.a. | 10 |

| MODEL | L | L1 | B | B1 | B2 | H | F | PACKING DIMENSIONS | | | VOLUME m ³ | WEIGHT kg |
|-------------------------------|-----|----|-------|------|------|----|------|--------------------|----|-----|--------------------------|--------------|
| | | | | | | | | L | B | H | | |
| EVOSTA 2 SAN 80/150 1" | 150 | 96 | 134.6 | 35.5 | 99.1 | 91 | 1" ½ | 192 | 99 | 150 | 0,0028 | 2,16 |

DNA[®]

PUMPS SELECTOR



On-line product selection



DAB PUMPS LTD.
6 Gilberd Court
Newcomen Way
Severalls Business Park
Colchester
Essex
CO4 9WN - UK
salesuk@dwtgroup.com
Tel. +44 0333 777 5010



DAB PUMPS IBERICA S.L.
Calle Verano 18-20-22
28850 - Torrejón de Ardoz - Madrid
Spain
Info.spain@dwtgroup.com
Tel. +34 91 6569545
Fax: + 34 91 6569676



DAB PUMPS SOUTH AFRICA
Twenty One industrial Estate,
16 Purlin Street, Unit B, Warehouse 4
Olifantsfontein -1666 - South Africa
info.sa@dwtgroup.com
Tel. +27 12 361 3997



DAB PUMPS BV
'tHofveld 6 C1
1702 Groot Bijgaarden - Belgium
info.belgium@dwtgroup.com
Tel. +32 2 4668353



DAB PUMPS HUNGARY KFT.
H-8800
Nagykanizsa, Buda Ernő u.5
Hungary
Tel. +36 93501700



DAB PUMPS (QINGDAO) CO. LTD.
No.40 Kaituo Road, Qingdao Economic & Technological
Development Zone
Qingdao City, Shandong Province - China
PC: 266500
sales.cn@dwtgroup.com
Tel. +86 400 186 8280
Fax +86 53286812210



DAB PUMPS POLAND Sp. z o.o.
Ul. Janka Muzykanta 60
02-188 Warszawa - Poland
polska@dabpumps.com.pl



DAB PUMPS B.V.
Albert Einsteinweg, 4
5151 DL Drunen - Nederland
info.netherlands@dwtgroup.com
Tel. +31 416 387280
Fax +31 416 387299



OOO DAB PUMPS
Novgorodskaya str. 1, block G
office 308, 127247, Moscow - Russia
info.russia@dwtgroup.com
Tel. +7 495 122 0035
Fax +7 495 122 0036



DAB PUMPS DE MÉXICO, S.A. DE C.V.
Av Amsterdam 101 Local 4
Col. Hipódromo Condessa,
Del. Cuauhtémoc CP 06170
Ciudad de México
Tel. +52 55 6719 0493



DAB PUMPEN DEUTSCHLAND GmbH
Tackweg 11
D - 47918 Tönisvorst - Germany
info.germany@dwtgroup.com
Tel. +49 2151 82136-0
Fax +49 2151 82136-36



DAB PUMPS INC.
3226 Benchmark Drive
Ladson, SC 29456 - USA
info.usa@dwtgroup.com
Tel. 1- 843-797-5002
Fax 1-843-797-3366



DAB PUMPS OCEANIA PTY LTD
426 South Gippsland Hwy,
Dandenong South VIC 3175 - Australia
info.oceania@dwtgroup.com
Tel. +61 1300 373 677