



Peripheral positive displacement pump with side suction for small household systems and simple industrial applications; characterised by a considerable ratio between performance and required output; frontal brass insert avoiding the risk of blockage.

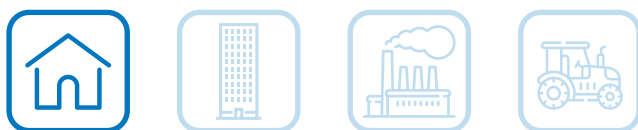
### Construction features

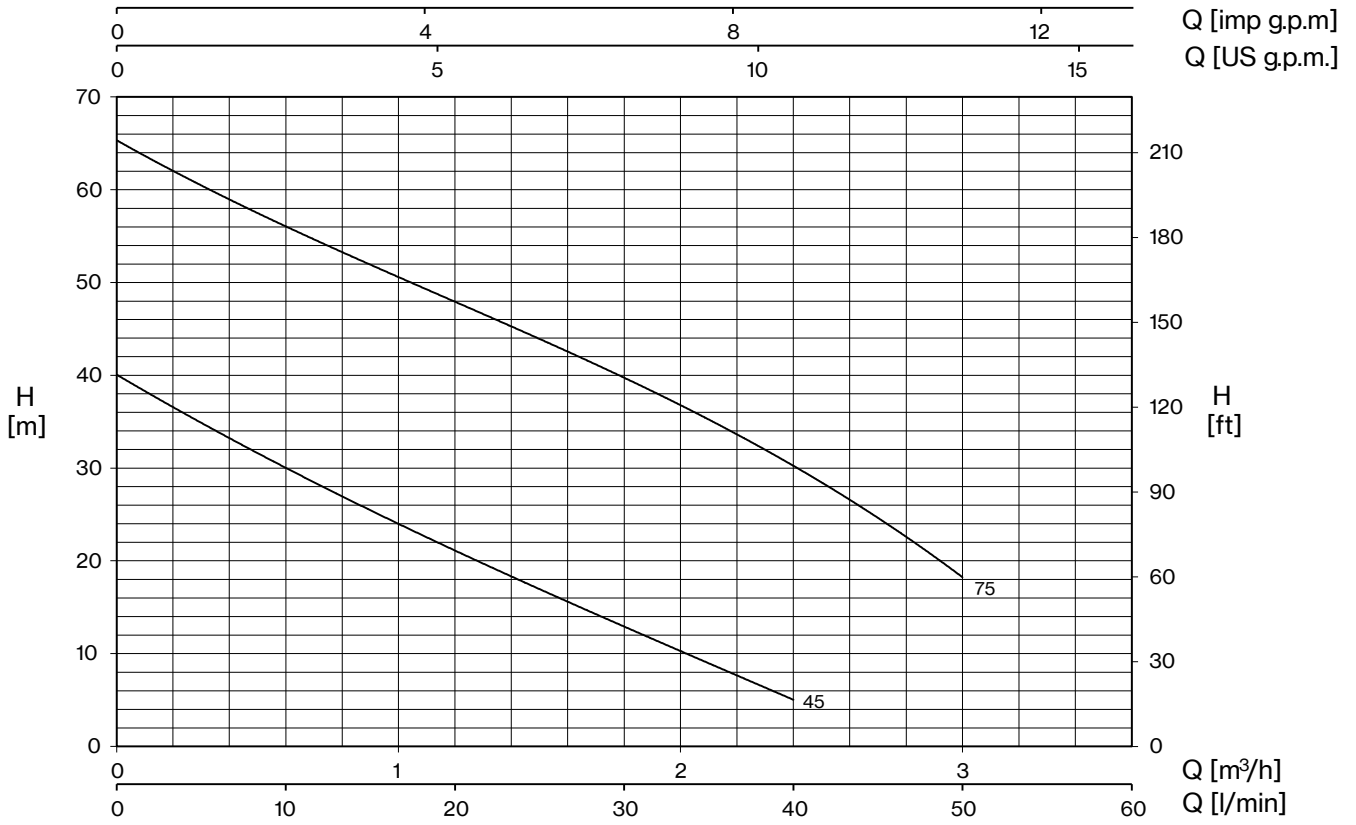
|                           |                          |
|---------------------------|--------------------------|
| <b>Pump body</b>          | cast iron and brass      |
| <b>Motor bracket</b>      | cast iron                |
| <b>Impeller</b>           | brass                    |
| <b>Mechanical seal</b>    | ceramic-graphite-NBR     |
| <b>Motor shaft</b>        | stainless steel AISI 416 |
| <b>Liquid temperature</b> | 0 - 90 °C                |
| <b>Operating pressure</b> | max 8 bar                |

### Motor

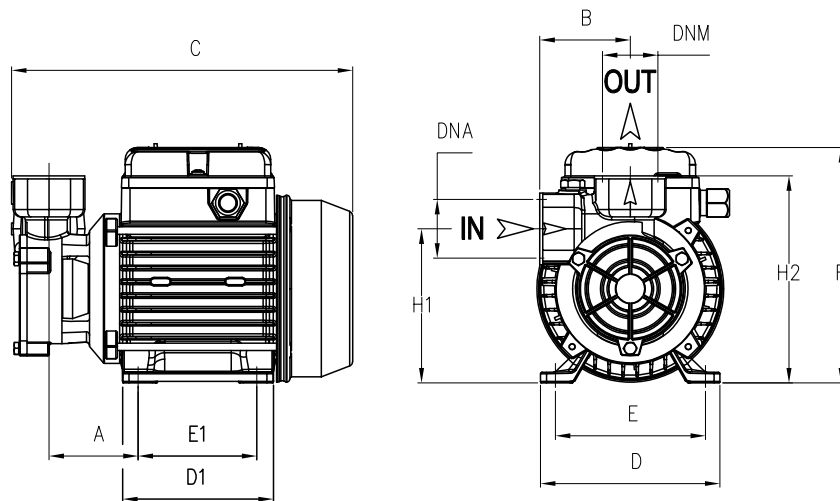
|                                |   |
|--------------------------------|---|
|                                | 3~ 230/400V-50Hz                          |
| <b>2 Poles induction motor</b> | 1~ 230V-50Hz<br>(with thermal protection) |
| <b>Insulation class</b>        | F   |
| <b>Protection degree</b>       | IPX4                                      |

| TYPE  | LOTS        |          |             |          |
|-------|-------------|----------|-------------|----------|
|       | TRUCK       |          | CONTAINER   |          |
|       | PALLET (cm) | N° pumps | PALLET (cm) | N° pumps |
| CP 45 | 85×110×170  | 207      | 85×110×190  | 220      |
|       | 80×120×170  | 198      | 80×120×190  | 230      |
| CP 75 | 85×110×170  | 105      | 85×110×190  | 135      |
|       |             |          | 80×120×170  | 136      |





| TYPE  |        | P2  |      | P1 (kW) |      | AMPERE                 |                        | Q (m³/h - l/min) |      |      |      |      |      |
|-------|--------|-----|------|---------|------|------------------------|------------------------|------------------|------|------|------|------|------|
| 1~    | 3~     | HP  | kW   | 1~      | 3~   | 1~<br>1x230 V<br>50 Hz | 3~<br>3x400 V<br>50 Hz | 0,3              | 0,6  | 1,2  | 1,8  | 2,4  | 3    |
|       |        |     |      |         |      |                        |                        | 5                | 10   | 20   | 30   | 40   | 50   |
|       |        |     |      |         |      |                        |                        | H (m)            |      |      |      |      |      |
| CP 45 | CPT 45 | 0,5 | 0,37 | 0,5     | 0,5  | 2,3                    | 1,0                    | 35,0             | 30,0 | 21,0 | 13,0 | 5,0  |      |
| CP 75 | CPT 75 | 1   | 0,74 | 1,11    | 1,13 | 5,2                    | 2,0                    | 61,0             | 56,0 | 48,0 | 39,0 | 31,0 | 18,0 |



| TYPE  | DIMENSIONS (mm) |    |     |     |     |     |    |     |     |     |      |      |     |     |     | <br>Kg |
|-------|-----------------|----|-----|-----|-----|-----|----|-----|-----|-----|------|------|-----|-----|-----|--------|
|       | A               | B  | C   | D   | D1  | E   | E1 | F   | H1  | H2  | DNA  | DNM  | I   | L   | M   |        |
| CP 45 | 67              | 60 | 235 | 120 | 101 | 97  | 80 | 165 | 105 | 140 | 1" G | 1" G | 265 | 145 | 165 | 5,7    |
| CP 75 | 71,5            | 60 | 263 | 135 | 112 | 112 | 89 | 172 | 124 | 156 | 1" G | 1" G | 310 | 185 | 195 | 9,2    |