

Receiver

From

Society
Reference
Address
Phone
Fax
E-mail

Item n° :

60146035

Model :

EUROSWIM 200 T IE2

Pump data

Pressure rating : 2,5 bar (250 kPa)
Min. fluid temperature : 0 °C
Max. fluid temperature : 60 °C
Max. Ambient temperature : 50 °C

Requested data

Flow :
Head :
Fluid : Water
Fluid Temperature : 20 °C
Density : 998,3 kg/m³
Kinematic viscosity : 1,005 mm²/s
Vapor pressure :

Hydraulic data (duty point)

Flow :
Head :

Materials

Pump body Reinforced technopolymer
Impeller Reinforced technopolymer
Diffuser Reinforced technopolymer
Filter Technopolymer
Mechanical seal Carbon/Alumina/NBR/AISI316
Filter cover Polycarbonate
O-ring NBR

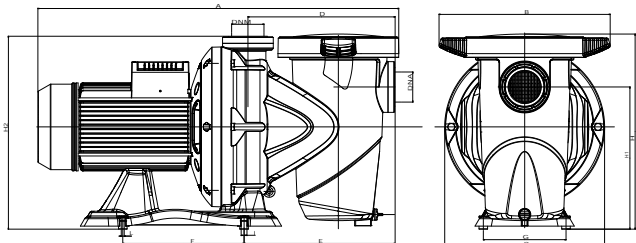
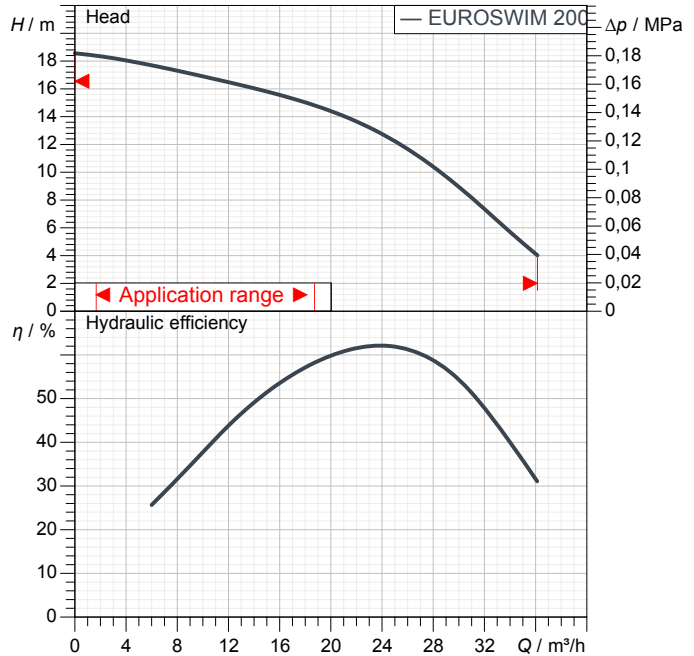
Motor data

Motor brand : DAB
Nominal power P2 : 1,5 kW
Rated speed : 2900 1/min
Rated voltage : 3~ 230 V 50 Hz
Nominal current : 7,2 A
Degree of protection : IP 55

Pump connection

Suction side : 2" G / 2,5 bar (250 kPa)
Discharge side : 2" G / 2,5 bar (250 kPa)

Curve tolerance according to ISO 9906



Weight : 17,6 kg

Dimensions in mm

A	581	L	6,5
B	311		
C	290		
D	267		
DNA	G2"		
DNM	G2"		
E	274		
F	220		
G	150		
H	353		
H1	258		
H2	350		
I	11		



PERFORMANCE CURVES

2019-08-2€

Page 2 / 3

DAB PUMPS S.p.A.
Via Marco Polo, 14 - 35035 Mestrino (PD), Italy
Tel. +39 049 5125000 - Fax +39 049 5125950
www.dabpumps.com

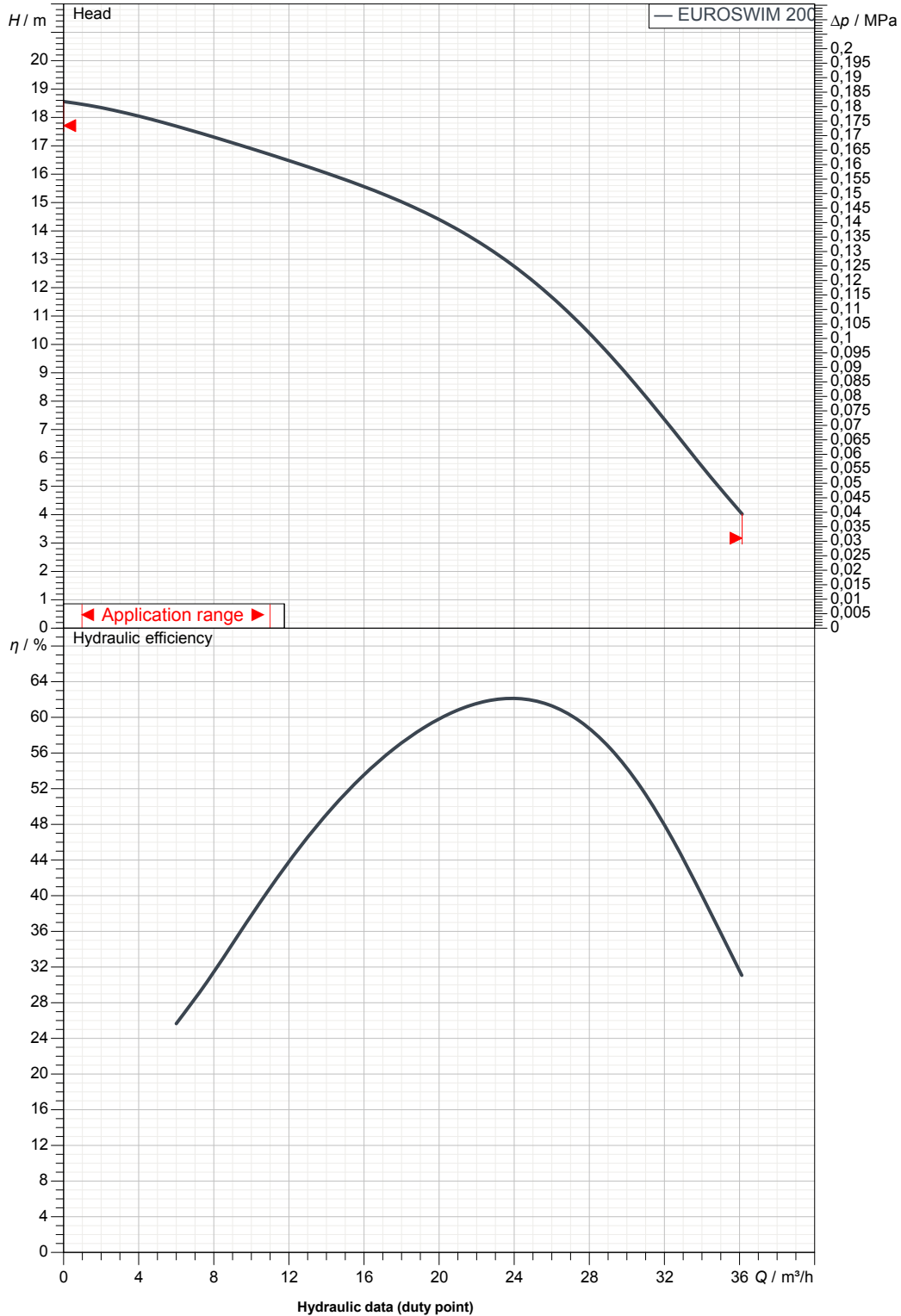
Receiver

From

Society
Reference
Address
Phone
Fax
E-mail

EUROSWIM 200 T IE2

Curve tolerance according to ISO 9906



Suction side :
2" G
2,5 bar (250 kPa)

Discharge side :
2" G
2,5 bar (250 kPa)

Flow :

Head :

Rated speed :
2900 1/min

MAIN_PROJECT_TITLE

BUSINESS_PROCESS_IC

OWNER_

ISSUE_DATE



DIMENSIONAL DRAWING

2019-08-2€

Page 3 / 3

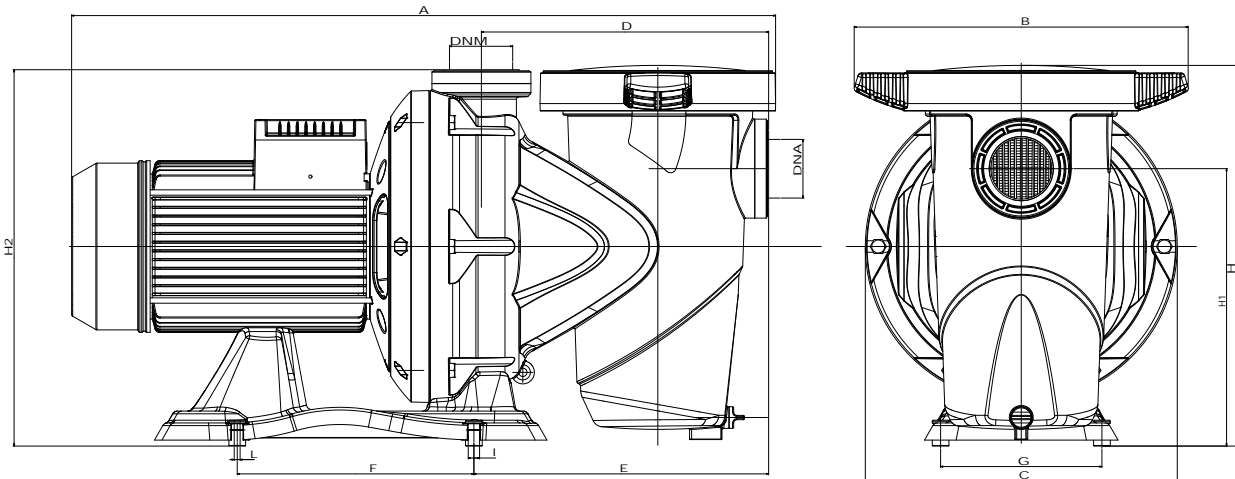
DAB PUMPS S.p.A.
Via Marco Polo, 14 - 35035 Mestrino (PD), Italy
Tel. +39 049 5125000 - Fax +39 049 5125950
www.dabpumps.com

Receiver

From

Society
Reference
Address
Phone
Fax
E-mail

EUROSWIM 200 T IE2



Dimensions in mm

Pump connection

1	A	581	I	11	Suction 2" G 2,5 bar (250 kPa) Discharge 2" G 2,5 bar (250 kPa)
2	B	311	L	6,5	
3	C	290			
4	D	267			
5	DNA	G2"			
6	DNM	G2"			
7	E	274			
8	F	220			
9	G	150			
10	H	353			
11	H1	258			
12	H2	350			

MAIN_PROJECT_TITLE	BUSINESS_PROCESS_I	OWNER_	ISSUE_DATE