

Receiver

From

Society
Reference
Address
Phone
Fax
E-mail

Item n° :

60151147

Model :

EVOPLUS 110/180 SAN M

Pump data

Pressure rating : 1,6 MPa
Min. fluid temperature : -10 °C
Max. fluid temperature : 110 °C
EEI : ≤ ***

Minimum suction head :

Temperature °C 90 100
Minimum suction head : m 20 25

Requested data

Flow :
Head :
Fluid (%) :
Fluid Temperature : 20 °C
Density : 998,3 kg/m³
Kinematic viscosity : 1,005 mm²/s
Vapor pressure :

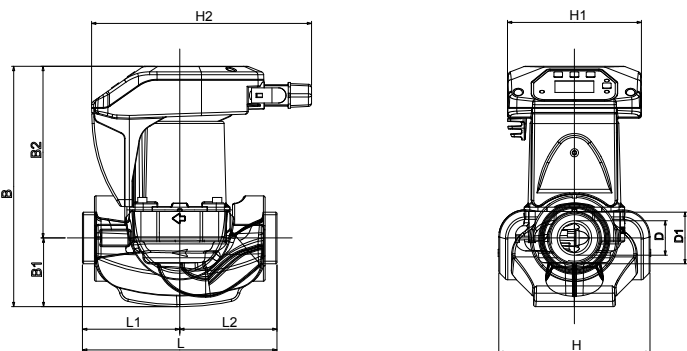
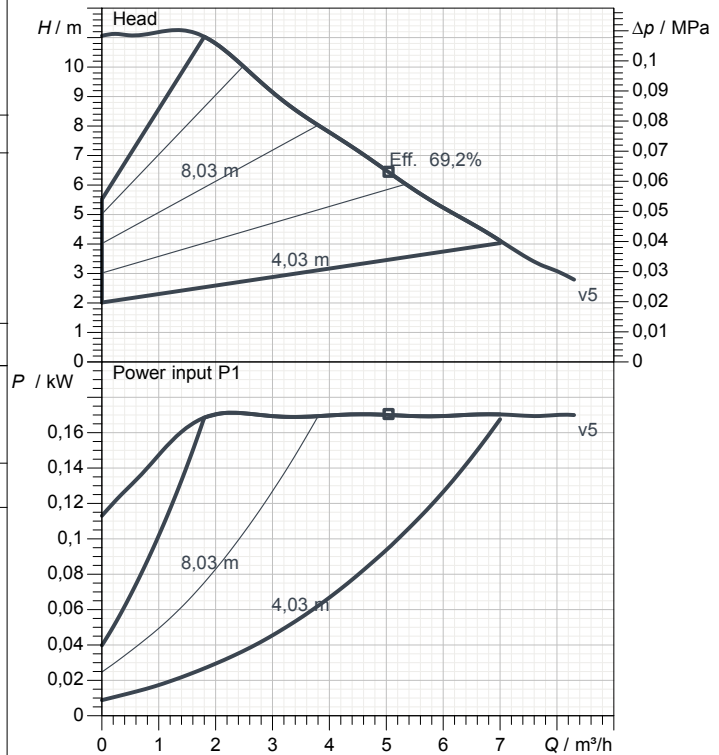
Hydraulic data (duty point)

Flow :
Head :

Materials

Pump body : Bronze
Impeller : Technopolymer
Motor shaft : Alumina
Seal ring : EPDM
Motor casing : Die cast aluminium
Closing flange : Stainless steel
Thrust ring support : EPDM

Curve tolerance according to ISO 9906



Motor data

Motor brand : DAB
Power input P1 : 0,17 kW
Rated voltage : 1~ 220-240 V 50 Hz
Nominal current : 1,18 A
Degree of protection : IP 44

Dimensions in mm

B	224	H1	124				
B1	65	H2	204				
B2	159	L	180				
D	32	L1	90				
D1	1"1/2 G	L2	90				
H	124						

Weight : 4,5 kg

Pump connection

Suction side : 1"1/2 G
Discharge side : 1"1/2 G



PERFORMANCE CURVES

2019-07-1€

Page 2 / 3

DAB PUMPS S.p.A.
Via Marco Polo, 14 - 35035 Mestrino (PD), Italy
Tel. +39 049 5125000 - Fax +39 049 5125950
www.dabpumps.com

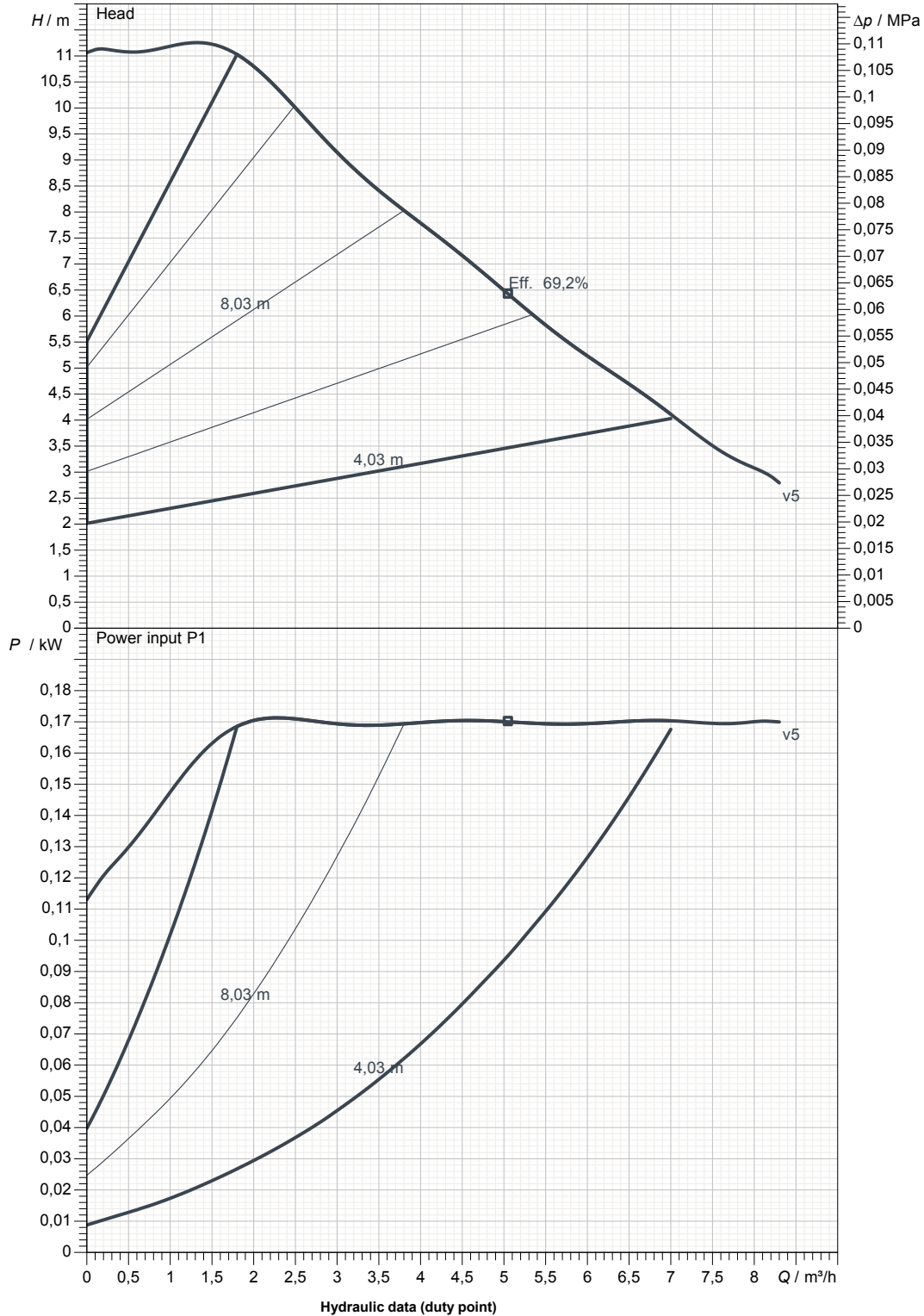
Receiver

From

Society
Reference
Address
Phone
Fax
E-mail

EVOPLUS 110/180 SAN M

Curve tolerance according to ISO 9906



Suction side :
1"1/2 G
16 bar (1600 kPa)

Discharge side :
1"1/2 G
16 bar (1600 kPa)

Flow :

Head :

Rated speed :
2900 1/min

MAIN_PROJECT_TITLE

BUSINESS_PROCESS_IC

OWNER_

ISSUE_DATE



DIMENSIONAL DRAWING

2019-07-1€

Page 3 / 3

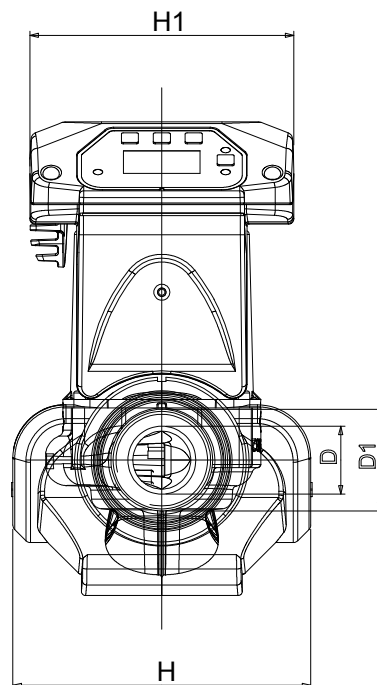
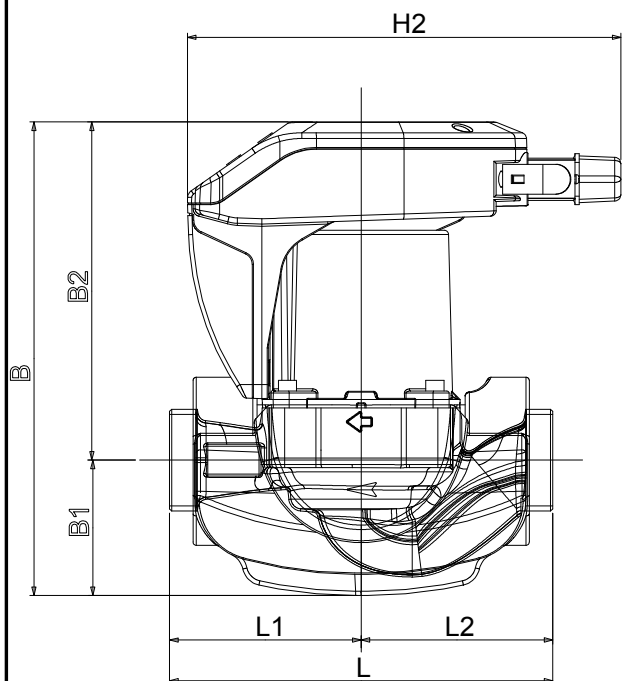
DAB PUMPS S.p.A.
Via Marco Polo, 14 - 35035 Mestrino (PD), Italy
Tel. +39 049 5125000 - Fax +39 049 5125950
www.dabpumps.com

Receiver

From

Society
Reference
Address
Phone
Fax
E-mail

EVOPLUS 110/180 SAN M



Dimensions in mm

Pump connection

1	B	224					
2	B1	65					Suction
3	B2	159					1"1/2 G
4	D	32					16 bar (1600 kPa)
5	D1	1"1/2 G					
6	H	124					Discharge
7	H1	124					1"1/2 G
8	H2	204					16 bar (1600 kPa)
9	L	180					
10	L1	90					
11	L2	90					

MAIN_PROJECT_TITLE

BUSINESS_PROCESS_ID

OWNER_

ISSUE_DATE