

Receiver

From

Society
Reference
Address
Phone
Fax
E-mail

Item n° :

60150940

Model :

EVOPLUS 80/180 M

Pump data

Pressure rating : 1,6 MPa
Min. fluid temperature : -10 °C
Max. fluid temperature : 110 °C
EEI : ≤ 0,22

Minimum suction head :

Temperature °C 90 100
Minimum suction head : m 20 25

Requested data

Flow :
Head :
Fluid (%) :
Fluid Temperature : 20 °C
Density : 998,3 kg/m³
Kinematic viscosity : 1,005 mm²/s
Vapor pressure :

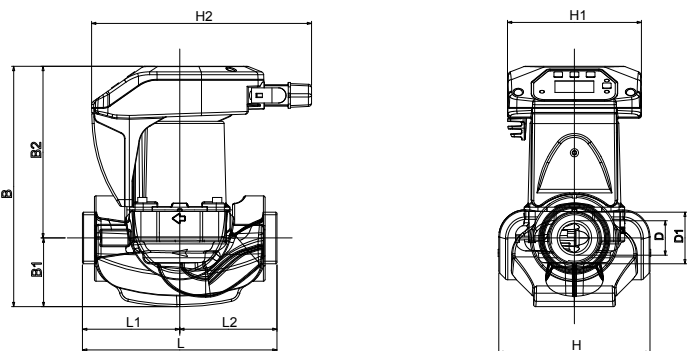
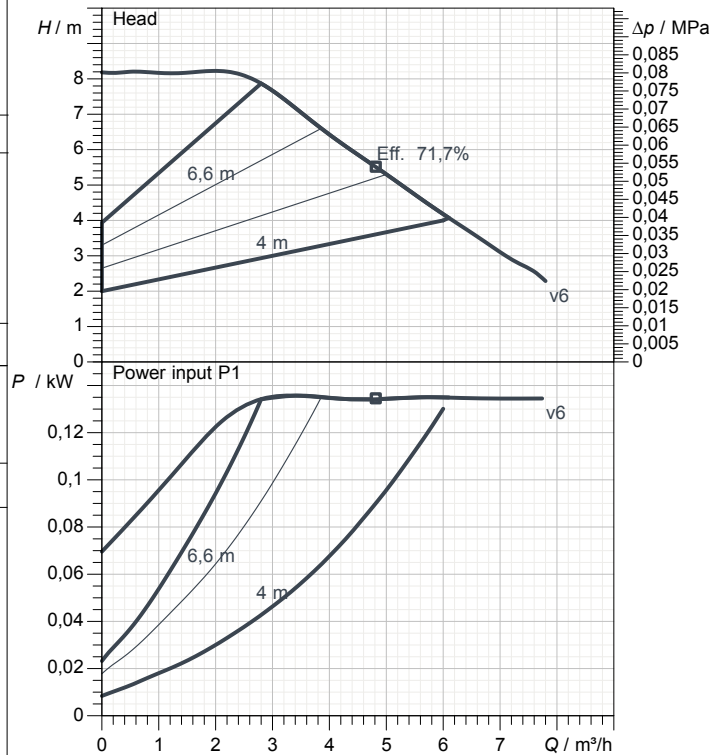
Hydraulic data (duty point)

Flow :
Head :

Materials

Pump body Cast iron 250 UNI ISO 185 - CTF
Impeller Technopolymer
Motor shaft Alumina
Seal ring EPDM
Motor casing Die cast aluminium
Closing flange Stainless steel
Thrust ring support EPDM

Curve tolerance according to ISO 9906



Motor data

Motor brand : DAB
Power input P1 : 0,13 kW
Rated voltage : 1~ 220-240 V 50 Hz
Nominal current : 0,95 A
Degree of protection : IP 44

Dimensions in mm

B	224	H1	124				
B1	65	H2	204				
B2	159	L	180				
D	32	L1	90				
D1	1"1/2 G	L2	90				
H	124						

Weight : 4,5 kg

Pump connection

Suction side : 1"1/2 G
Discharge side : 1"1/2 G



PERFORMANCE CURVES

2019-07-1€

Page 2 / 3

DAB PUMPS S.p.A.
Via Marco Polo, 14 - 35035 Mestrino (PD), Italy
Tel. +39 049 5125000 - Fax +39 049 5125950
www.dabpumps.com

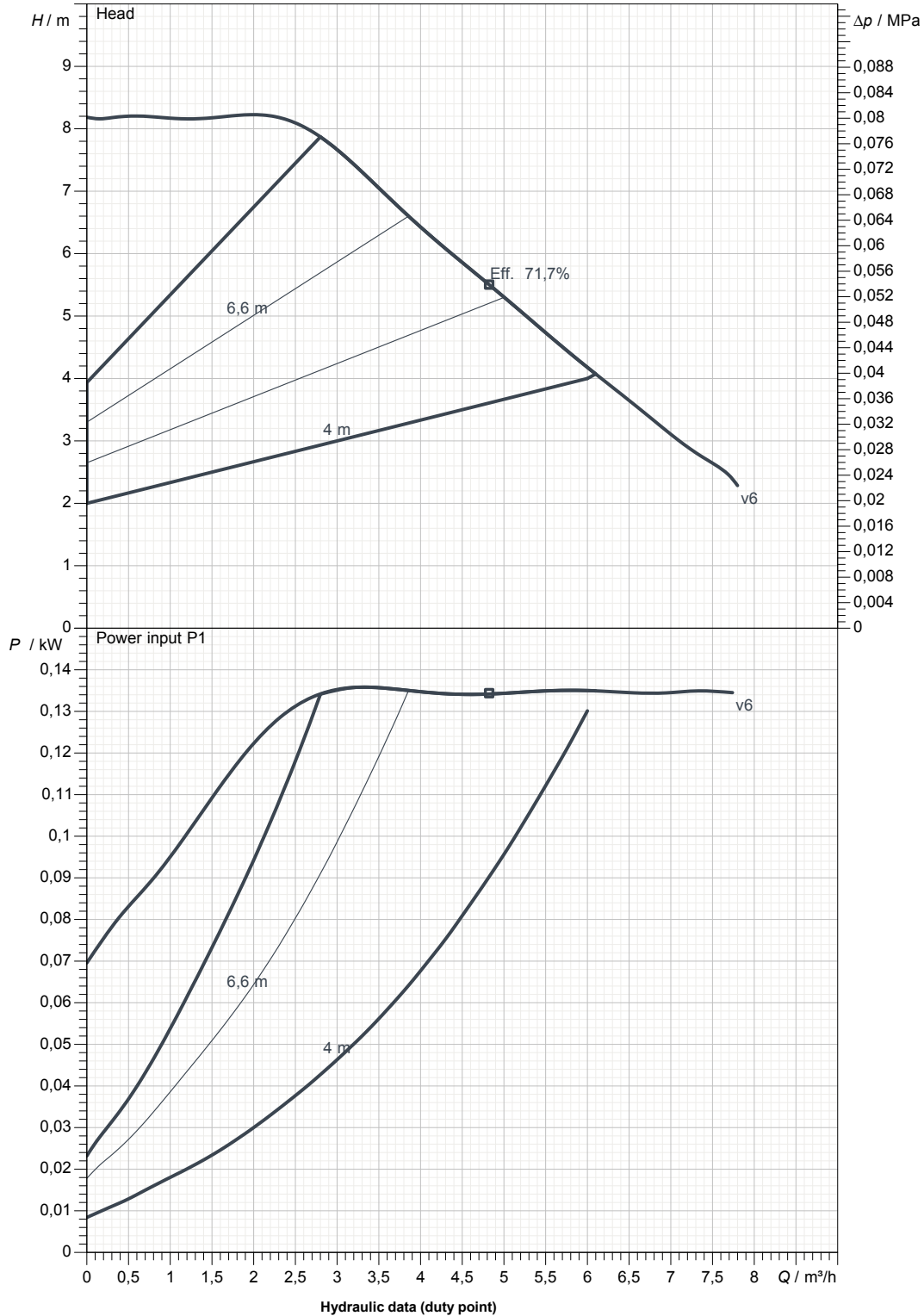
Receiver

From

Society
Reference
Address
Phone
Fax
E-mail

EVOPLUS 80/180 M

Curve tolerance according to ISO 9906



Suction side :
1"1/2 G
16 bar (1600 kPa)

Discharge side :
1"1/2 G
16 bar (1600 kPa)

Flow :

Head :

Rated speed :
2900 1/min

MAIN_PROJECT_TITLE

BUSINESS_PROCESS_IC

OWNER_

ISSUE_DATE



DIMENSIONAL DRAWING

2019-07-1€

Page 3 / 3

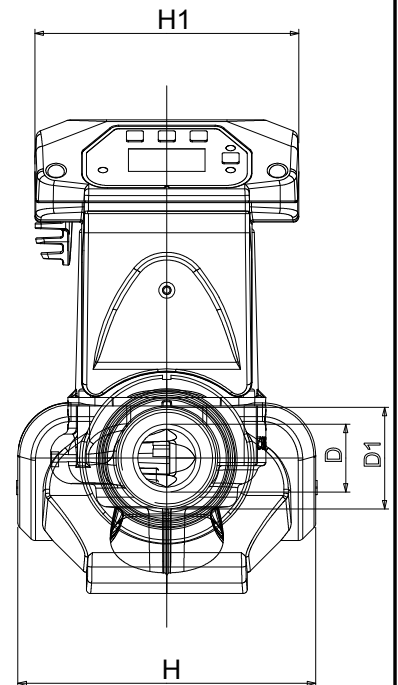
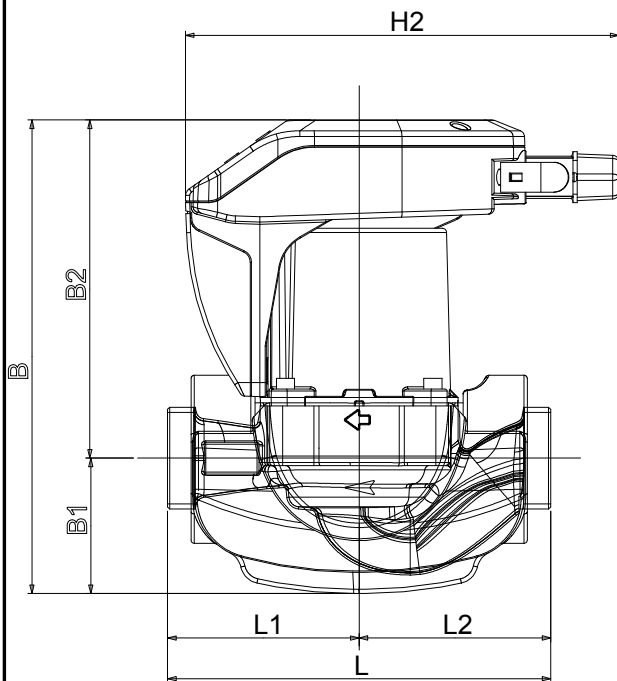
DAB PUMPS S.p.A.
Via Marco Polo, 14 - 35035 Mestrino (PD), Italy
Tel. +39 049 5125000 - Fax +39 049 5125950
www.dabpumps.com

Receiver

From

Society
Reference
Address
Phone
Fax
E-mail

EVOPLUS 80/180 M



Dimensions in mm

Pump connection

1	B	224									
2	B1	65									
3	B2	159									
4	D	32									
5	D1	1"1/2 G									
6	H	124									
7	H1	124									
8	H2	204									
9	L	180									
10	L1	90									
11	L2	90									

Suction
1"1/2 G
16 bar (1600 kPa)

Discharge
1"1/2 G
16 bar (1600 kPa)

MAIN_PROJECT_TITLE

BUSINESS_PROCESS_ID

OWNER_

ISSUE_DATE