

Receiver

From

Society
Reference
Address
Phone
Fax
E-mail

Item n° :

60151146

Model :

EVOPLUS 80/180 SAN M

Pump data

Pressure rating : 1,6 MPa
Min. fluid temperature : -10 °C
Max. fluid temperature : 110 °C
EEI : ≤ ***

Minimum suction head :

Temperature °C 90 100
Minimum suction head : m 20 25

Requested data

Flow :
Head :
Fluid (%) :
Fluid Temperature : 20 °C
Density : 998,3 kg/m³
Kinematic viscosity : 1,005 mm²/s
Vapor pressure :

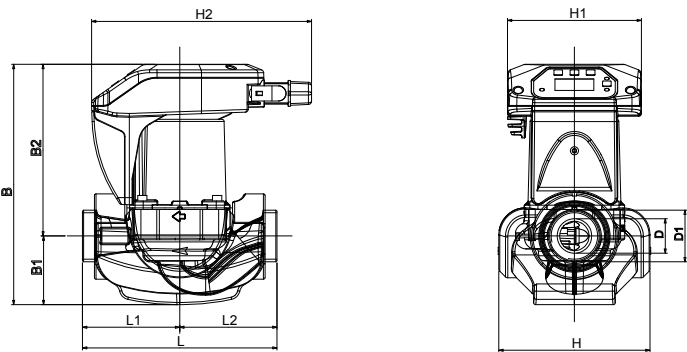
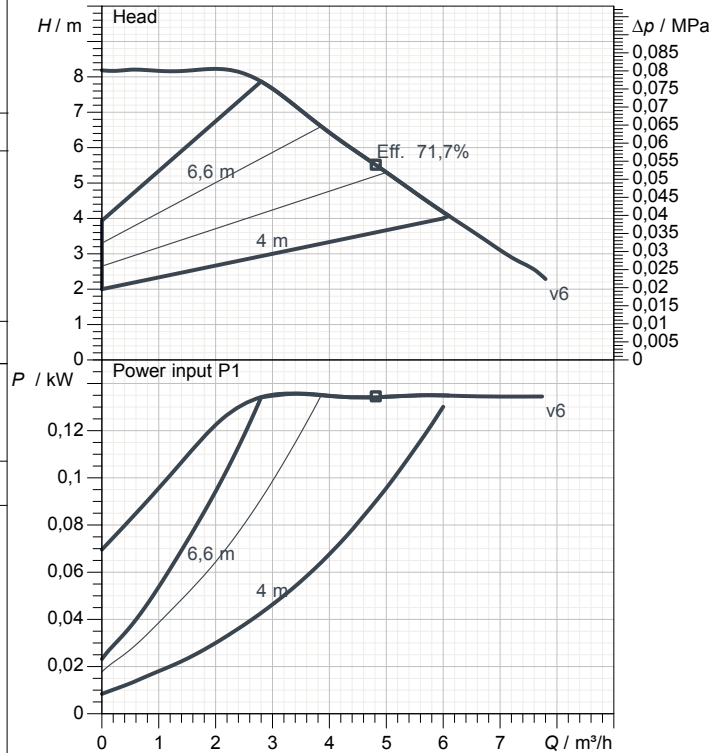
Hydraulic data (duty point)

Flow :
Head :

Materials

Pump body Bronze
Impeller Technopolymer
Motor shaft Alumina
Seal ring EPDM
Motor casing Die cast aluminium
Closing flange Stainless steel
Thrust ring support EPDM

Curve tolerance according to ISO 9906



Motor data

Motor brand : DAB
Power input P1 : 0,13 kW
Rated voltage : 1~ 220-240 V 50 Hz
Nominal current : 0,95 A
Degree of protection : IP 44

Dimensions in mm

B	224	H1	124				
B1	65	H2	204				
B2	159	L	180				
D	32	L1	90				
D1	1"1/2 G	L2	90				
H	124						

Weight : 4,5 kg

Pump connection

Suction side : 1"1/2 G
Discharge side : 1"1/2 G

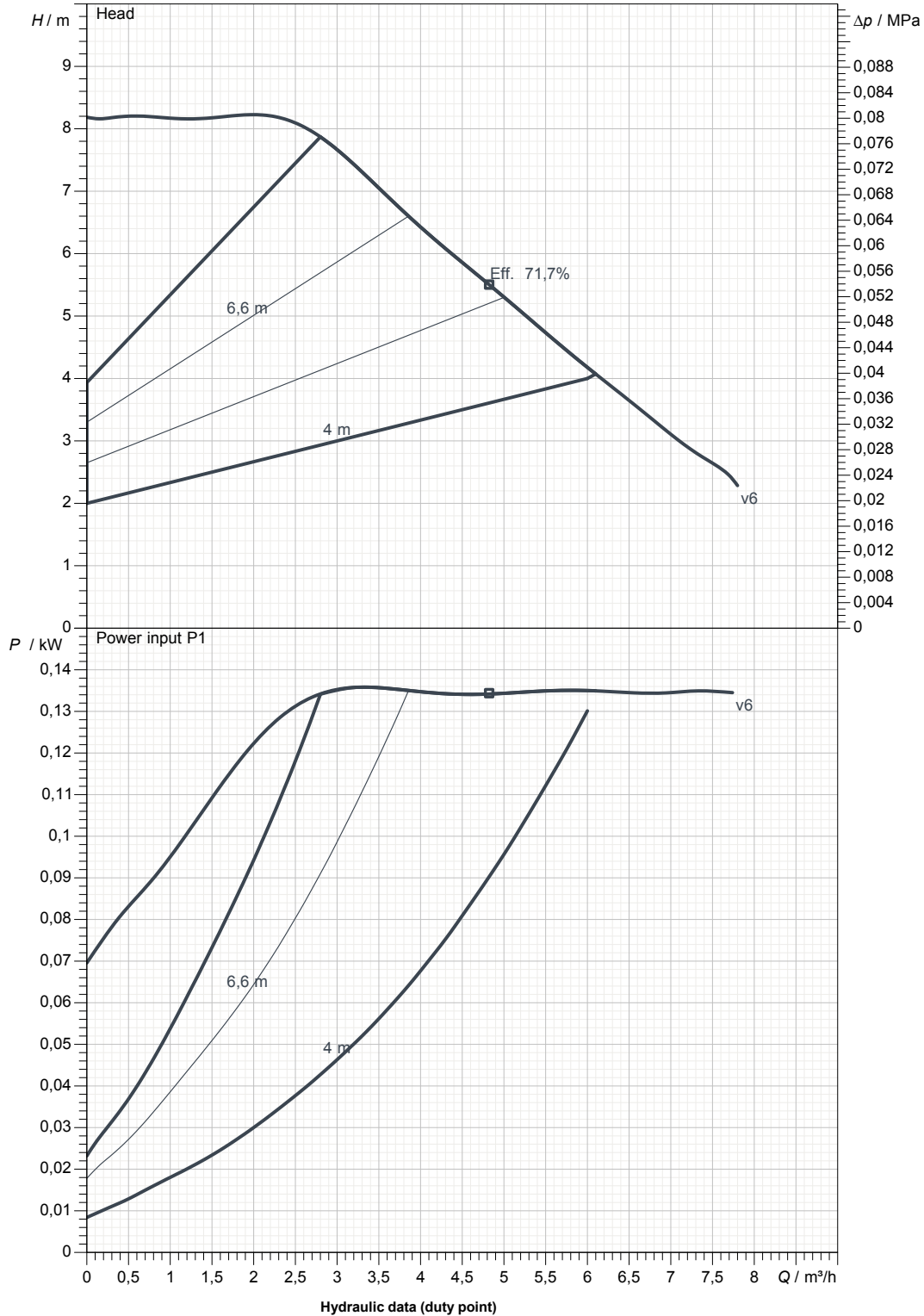
Receiver

From

 Society
 Reference
 Address
 Phone
 Fax
 E-mail

EVOPLUS 80/180 SAN M

Curve tolerance according to ISO 9906


 Suction side :
 1"1/2 G
 16 bar (1600 kPa)

 Discharge side :
 1"1/2 G
 16 bar (1600 kPa)

Flow :

Head :

 Rated speed :
 2900 1/min

MAIN_PROJECT_TITLE

BUSINESS_PROCESS_IC

OWNER_

ISSUE_DATE



DIMENSIONAL DRAWING

2019-07-1€

Page 3 / 3

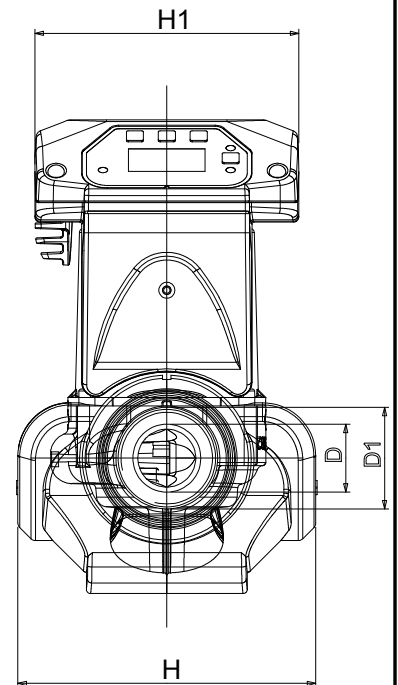
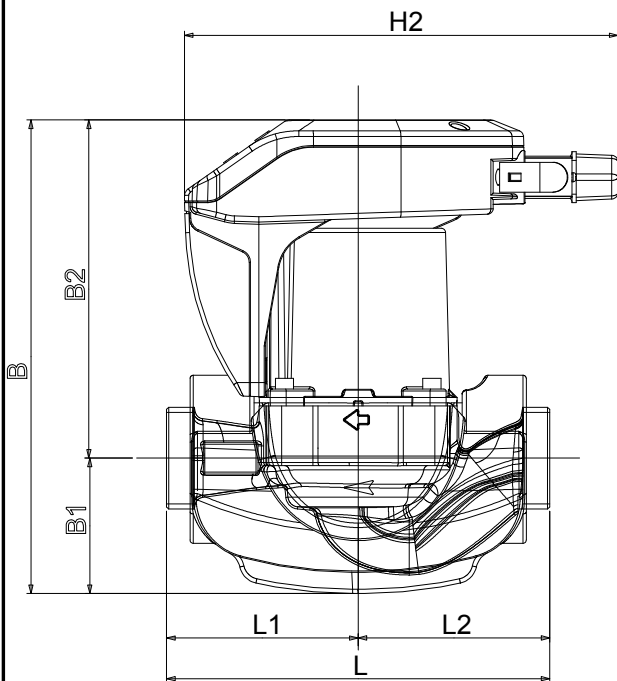
DAB PUMPS S.p.A.
Via Marco Polo, 14 - 35035 Mestrino (PD), Italy
Tel. +39 049 5125000 - Fax +39 049 5125950
www.dabpumps.com

Receiver

From

Society
Reference
Address
Phone
Fax
E-mail

EVOPLUS 80/180 SAN M



Dimensions in mm			Pump connection	
1	B	224		
2	B1	65		Suction
3	B2	159		1"1/2 G
4	D	32		16 bar (1600 kPa)
5	D1	1"1/2 G		
6	H	124		Discharge
7	H1	124		1"1/2 G
8	H2	204		16 bar (1600 kPa)
9	L	180		
10	L1	90		
11	L2	90		

MAIN_PROJECT_TITLE	BUSINESS_PROCESS_ID	OWNER_	ISSUE_DATE