

**Receiver**

**From**

Society  
Reference  
Address  
Phone  
Fax  
E-mail

**Item n° :**

60186047

**Model :**

EVOSTA2 40-70/130 1/2"

**Pump data**

Pressure rating : 1 MPa  
Min. fluid temperature : -10 °C  
Max. fluid temperature : 110 °C  
EEI : ≤ 0,18

**Minimum suction head :**

Temperature °C 90  
Minimum suction head : m 10

**Requested data**

Flow :  
Head :  
Fluid (%) :  
Fluid Temperature : 20 °C  
Density : 998,3 kg/m³  
Kinematic viscosity : 1,005 mm²/s  
Vapor pressure :

**Hydraulic data (duty point)**

Flow :  
Head :

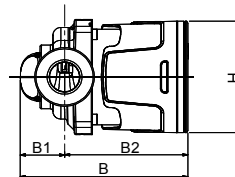
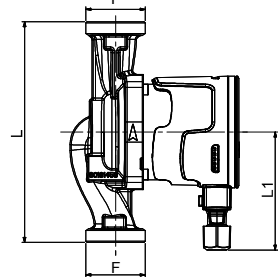
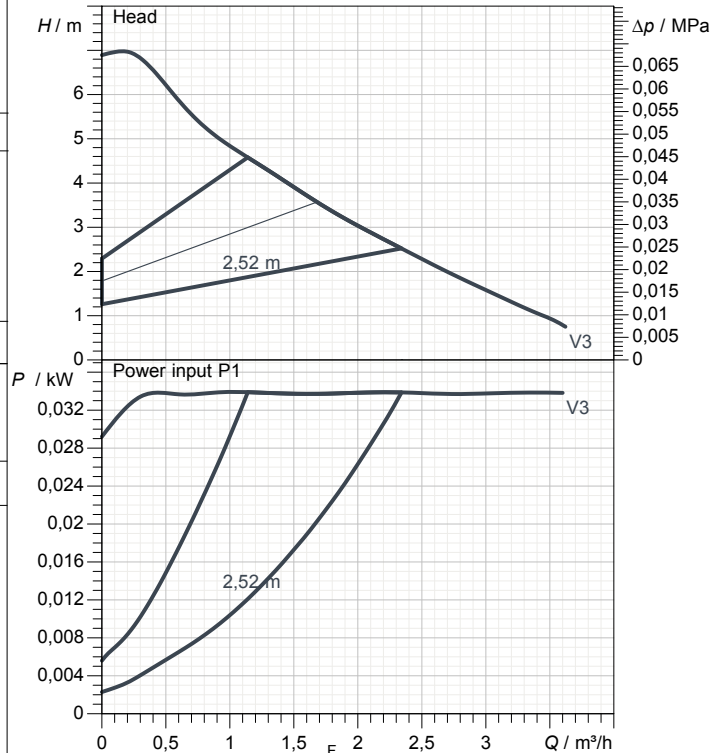
**Materials**

Stator jacket AISI 316  
Impeller Ultrason  
Shaft Alumina  
Bearing housing Brass  
Bushing Alumina  
Rotor Fe  
Axial bearing Graphite

**Motor data**

Motor brand : DAB  
Power input P1 : 0,035 kW  
Rated voltage : 1~ 230 V 50 Hz  
Nominal current : 0,32 A  
Degree of protection : IP X5

**Curve tolerance according to ISO 9906**



**Dimensions in mm**

B	134,6	L1	65				
B1	35,5						
B2	99,1						
F	1"						
H	91						
L	130						

**Weight :** 1,86 kg

**Pump connection**

Suction side : 1" G  
Discharge side : 1" G



# PERFORMANCE CURVES

2019-07-1€

Page 2 / 3

DAB PUMPS S.p.A.  
Via Marco Polo, 14 - 35035 Mestrino (PD), Italy  
Tel. +39 049 5125000 - Fax +39 049 5125950  
www.dabpumps.com

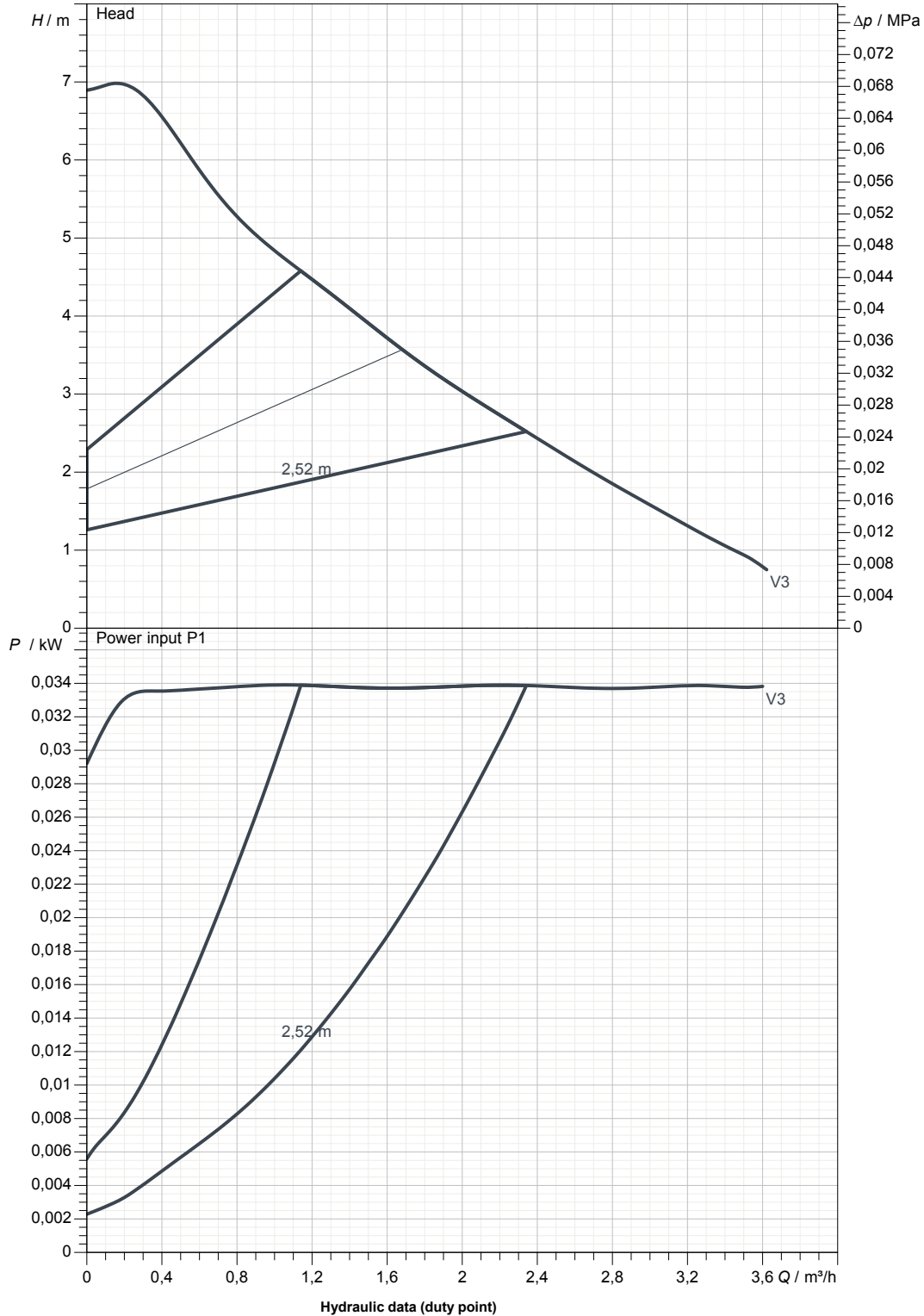
Receiver

From

Society  
Reference  
Address  
Phone  
Fax  
E-mail

## EVOSTA2 40-70/130 1/2"

Curve tolerance according to ISO 9906



Suction side :  
1" G  
10 bar (1000 KPa)

Discharge side :  
1" G  
10 bar (1000 KPa)

Flow :

Head :

Rated speed :  
2900 1/min

MAIN\_PROJECT\_TITLE

BUSINESS\_PROCESS\_IC

OWNER\_

ISSUE\_DATE



# DIMENSIONAL DRAWING

DAB PUMPS S.p.A.  
Via Marco Polo, 14 - 35035 Mestrino (PD), Italy  
Tel. +39 049 5125000 - Fax +39 049 5125950  
www.dabpumps.com

2019-07-1€

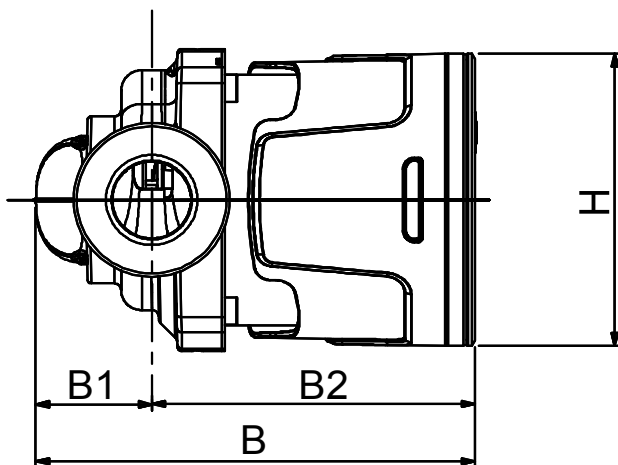
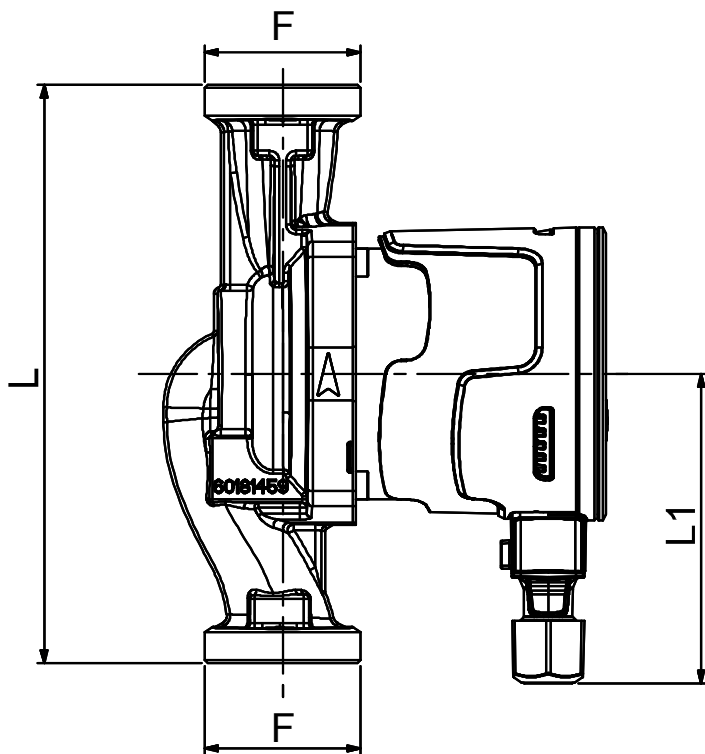
Page 3 / 3

Receiver

From

Society  
Reference  
Address  
Phone  
Fax  
E-mail

## EVOSTA2 40-70/130 1/2"



**Dimensions in mm**

**Pump connection**

1  
2  
3  
4  
5  
6  
7

B	134,6
B1	35,5
B2	99,1
F	1"
H	91
L	130
L1	65

Suction  
1" G  
10 bar (1000 KPa)

Discharge  
1" G  
10 bar (1000 KPa)

MAIN\_PROJECT\_TITLE

BUSINESS\_PROCESS\_ID

OWNER\_

ISSUE\_DATE