

**Receiver**

**From**

Society  
Reference  
Address  
Phone  
Fax  
E-mail

**Item n° :**

60186079

**Model :**

EVOSTA3 60/180 X

**Pump data**

Pressure rating : 1 MPa  
Min. fluid temperature : -10 °C  
Max. fluid temperature : 110 °C  
EEI : ≤ 0,18

**Minimum suction head :**

Temperature °C 90  
Minimum suction head : m 10

**Requested data**

Flow :  
Head :  
Fluid (%) :  
Fluid Temperature : 20 °C  
Density : 998,3 kg/m³  
Kinematic viscosity : 1,005 mm²/s  
Vapor pressure :

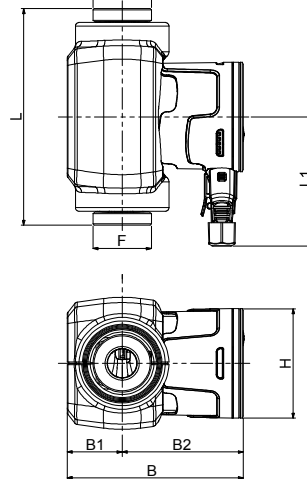
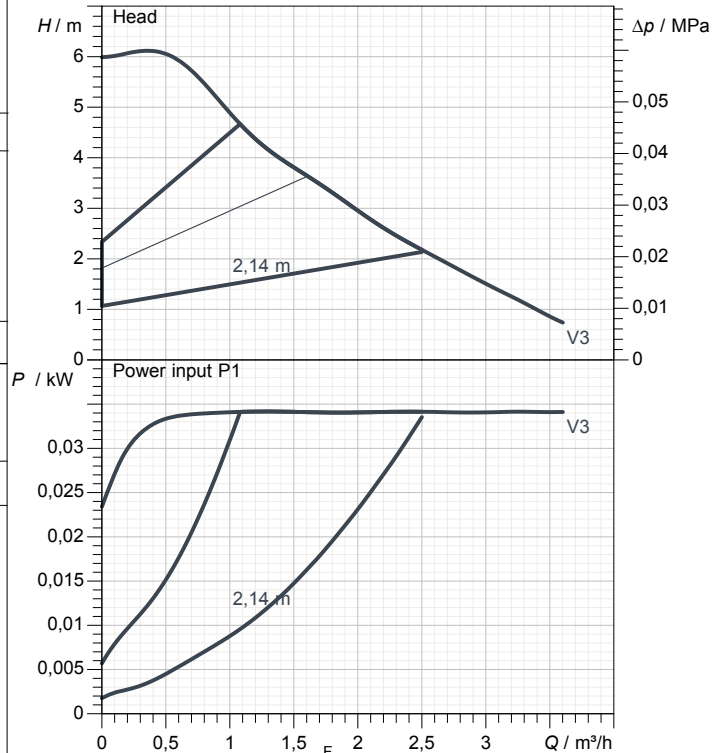
**Hydraulic data (duty point)**

Flow :  
Head :

**Materials**

Stator jacket AISI 316  
Impeller Ultrason  
Shaft Alumina  
Bearing housing Brass  
Bushing Alumina  
Rotor Fe  
Axial bearing Graphite

**Curve tolerance according to ISO 9906**



**Motor data**

Motor brand : DAB  
Power input P1 : 0,035 kW  
Rated voltage : 1~ 230 V 50 Hz  
Nominal current : 0,33 A  
Degree of protection : IP X5

**Dimensions in mm**

B	144,1	L1	107,5				
B1	45						
B2	99,1						
F	2"						
H	91						
L	180						

**Weight :** 2,38 kg

**Pump connection**

Suction side : 2 " G  
Discharge side : 2 " G



# PERFORMANCE CURVES

2019-08-20

Page 2 / 3

DAB PUMPS S.p.A.  
Via Marco Polo, 14 - 35035 Mestrino (PD), Italy  
Tel. +39 049 5125000 - Fax +39 049 5125950  
www.dabpumps.com

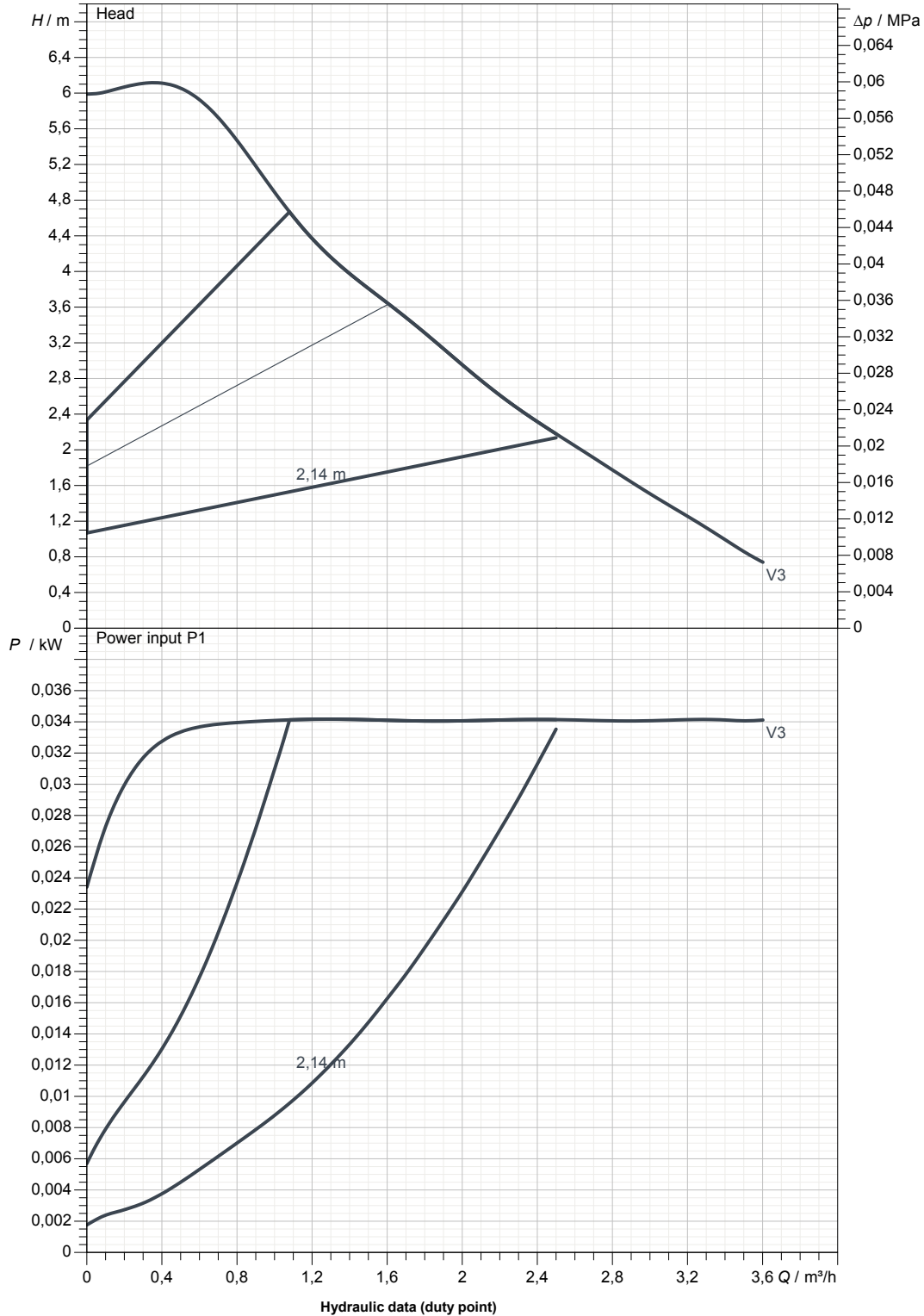
Receiver

From

Society  
Reference  
Address  
Phone  
Fax  
E-mail

## EVOSTA3 60/180 X

Curve tolerance according to ISO 9906



Suction side :  
2" G  
10 bar (1000 KPa)

Discharge side :  
2" G  
10 bar (1000 KPa)

Flow :

Head :

Rated speed :  
2900 1/min

MAIN\_PROJECT\_TITLE

BUSINESS\_PROCESS\_ID

OWNER\_

ISSUE\_DATE



# DIMENSIONAL DRAWING

2019-08-20

Page 3 / 3

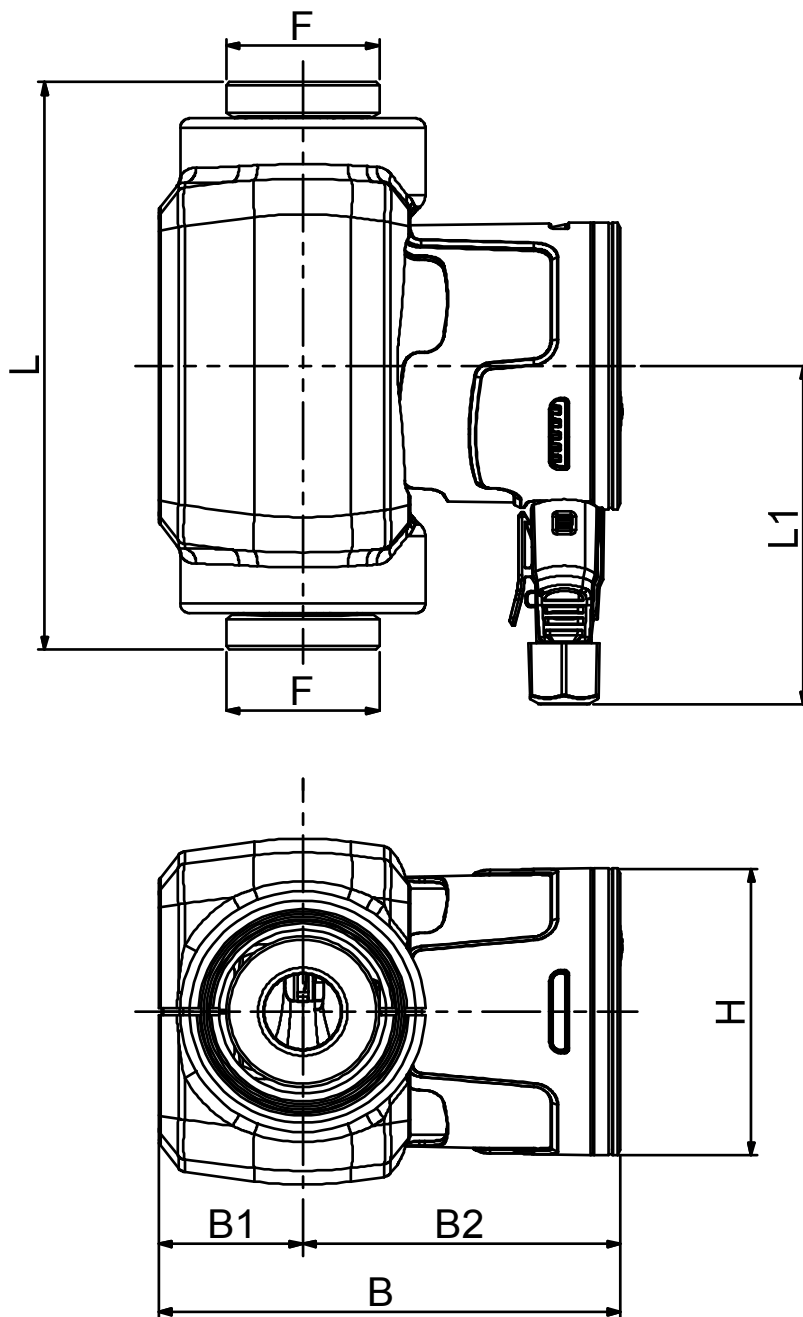
DAB PUMPS S.p.A.  
Via Marco Polo, 14 - 35035 Mestrino (PD), Italy  
Tel. +39 049 5125000 - Fax +39 049 5125950  
www.dabpumps.com

Receiver

From

Society  
Reference  
Address  
Phone  
Fax  
E-mail

## EVOSTA3 60/180 X



### Dimensions in mm

1	B	144,1
2	B1	45
3	B2	99,1
4	F	2"
5	H	91
6	L	180
7	L1	107,5

### Pump connection

Suction  
2" G  
10 bar (1000 KPa)

Discharge  
2" G  
10 bar (1000 KPa)

MAIN\_PROJECT\_TITLE

BUSINESS\_PROCESS\_ID

OWNER

ISSUE\_DATE