

Receiver

From

Company
Reference
Address
Phone
Fax
E-mail

Item n° : 60152305
Customer pos. no.:

Model :
NOVA UP 300 M-A

Pump data

Free passage : 10 mm
Pressure rating :
Min. fluid temperature : 0 °C
Max. fluid temperature : 35 °C
Max. Ambient temperature : 40 °C

Requested data

Flow :
Head :
Fluid : Water
Fluid Temperature : 20 °C
Density : 998,3 kg/m³
Kinematic viscosity : 1,005 mm²/s
Vapor pressure : 0,00234 MPa

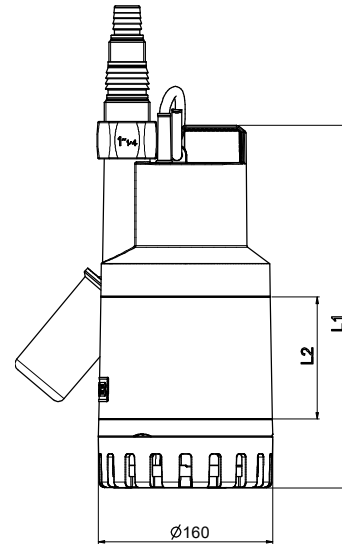
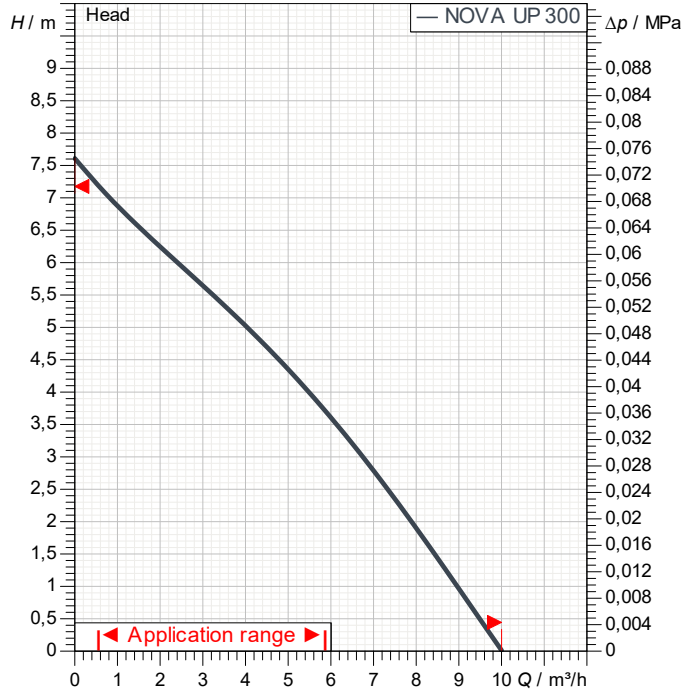
Hydraulic data (duty point)

Flow :
Head :

Materials

Pump body : Technopolymer
Impeller : Technopolymer
O-Ring : NBR
Motor top body : Stainless Steel AISI 304
Rotor shaft : AISI 416 X12 CrS 13 UNI EN 10088-1
V-RING : NBR
Suction strainer : Technopolymer

Curve tolerance according to ISO 9906



Motor data

Motor brand : DAB
Nominal power P2 : 0,21 kW
Rated speed : 2.850 1/min
Rated voltage : 1~ 220-240 V 50 Hz
Nominal current : 1,5 A
Degree of protection : IP 68

Weight : 5,8 kg

Dimensions in mm

| | | | | | |
|----|-------|--|--|--|--|
| L1 | 295,3 | | | | |
| L2 | 75,9 | | | | |

Pump connection

Suction side : /
Discharge side : 1" 1/4 G / --



WATER • TECHNOLOGY

PERFORMANCE CURVES

2025-03-31

Page 2 / 3

DAB PUMPS S.p.A.
Via Marco Polo, 14 - 35035 Mestrino (PD), Italy
Tel. +39 049 5125000 - Fax +39 049 5125950
www.dabpumps.com

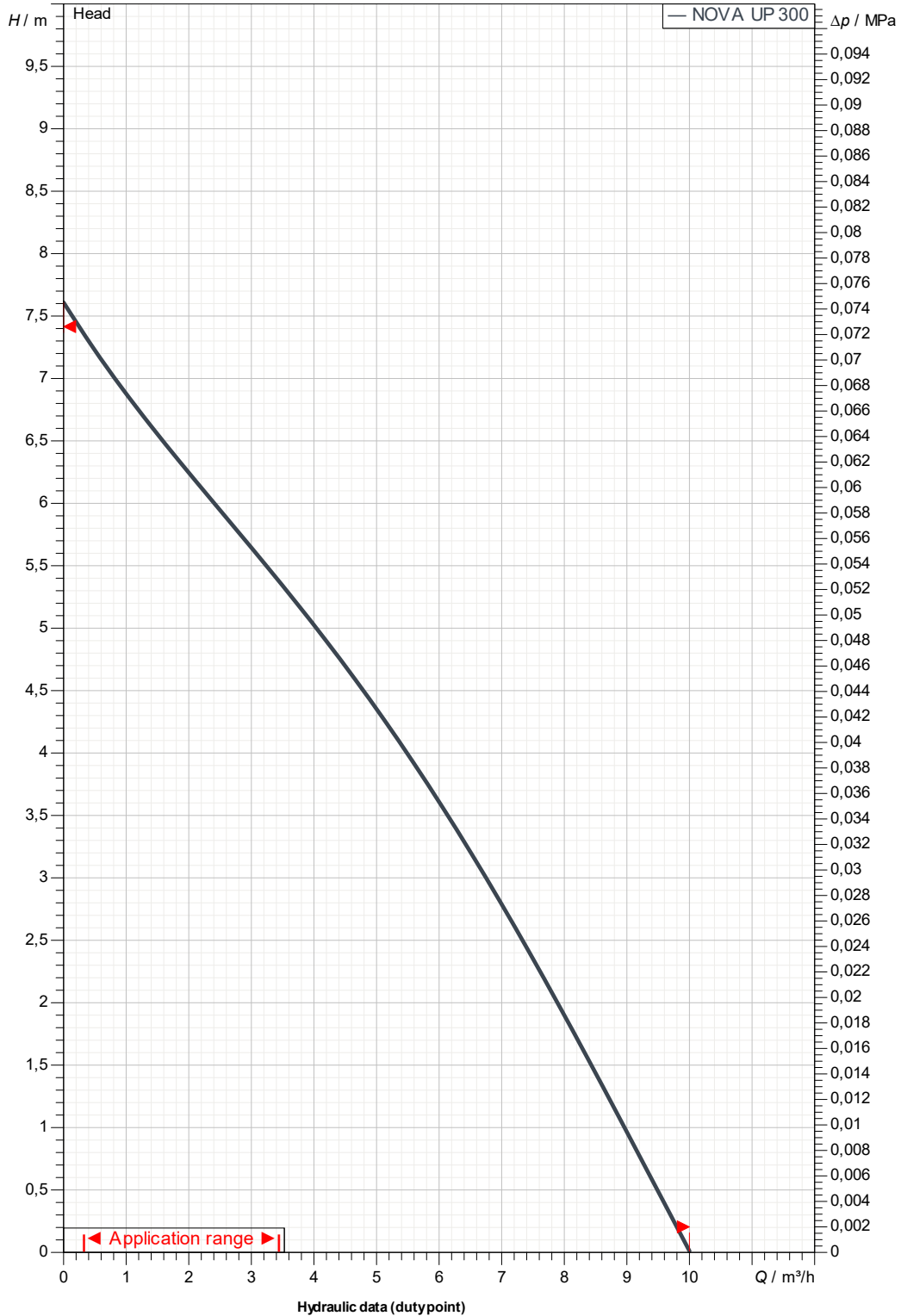
Receiver

From

Company
Reference
Address
Phone
Fax
E-mail

NOVA UP 300 M-A

Curve tolerance according to ISO 9906



Suction side :

0 MPa

Discharge side :

1" 1/4 G
0 MPa

Flow :

Head :

Rated speed :

2.850 1/min

Project

Project ID

Created by

Created on

2025-03-31



DIMENSIONAL DRAWING

2025-03-31

Page 3 / 3

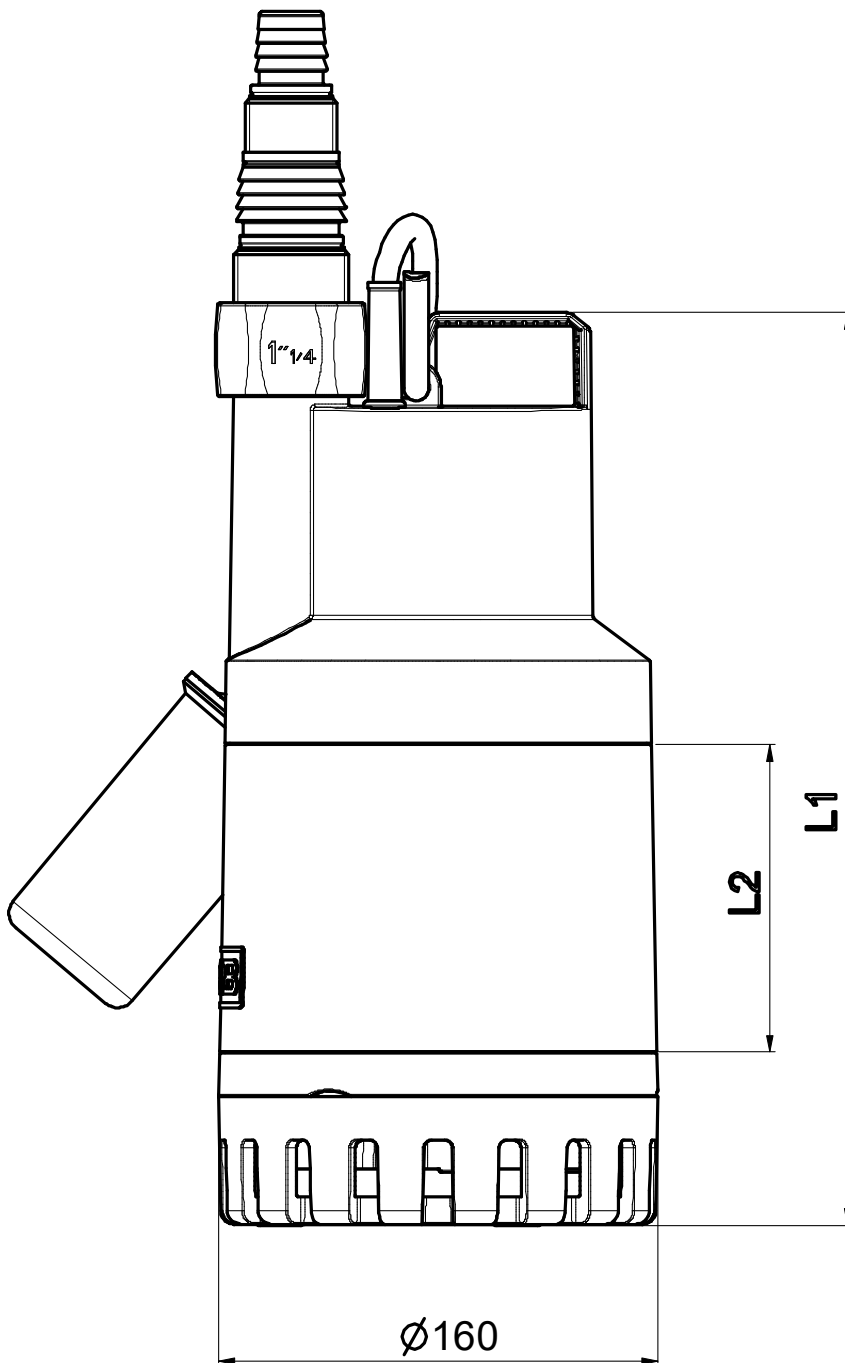
DAB PUMPS S.p.A.
Via Marco Polo, 14 - 35035 Mestrino (PD), Italy
Tel. +39 049 5125000 - Fax +39 049 5125950
www.dabpumps.com

Receiver

From

Company
Reference
Address
Phone
Fax
E-mail

NOVA UP 300 M-A



Dimensions in mm

Pump connection

1
2
3
4
5
6
7
8
9
10
11

L1
L2

295,3
75,9

Suction
0 MPa
Discharge
1" 1/4 G
0 MPa

Project

Project ID

Created by

Created on

2025-03-31