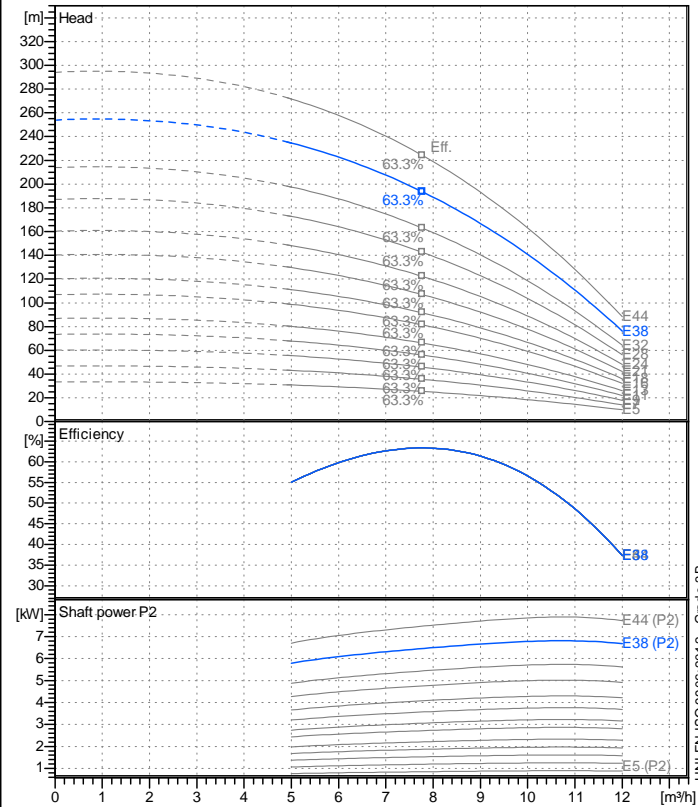


Receiver

From

 Company name  
 Respons. Department  
 Person in charge  
 Phone number  
 Fax no  
 E-mail address

**Operating data specification**

Nominal flow	m <sup>3</sup> /h 0
Nominal head	m 0
Static head	m 0
NPSH - v value of plant	m 0
Inlet pressure	bar 0.09793
Fluid	Water, pure
Operating temperature t A	°C 20
Density at t A	kg/dm <sup>3</sup> 0.9983
Kin. viscosity at t A	mm <sup>2</sup> /s 1.005

**Pump**

Pump name		FS-98E38	
Size		4"	
Design			
Speed 1/min	2900	No of stages	38
Impeller type		Radial impeller	
Flow	Nominal	m <sup>3</sup> /h	
	Max-	m <sup>3</sup> /h	12
	Min-	m <sup>3</sup> /h	5
Head	Nominal	m	
	Max-	m	235
	Min-	m	76.3
Head H(Q=0)		m 254	
NPSH 3%		m	
Max. working pressure		bar 24.9	
Shaft power		kW	
Efficiency		%	
Max absorbed power		kW 6.8119	

**Materials Pump**

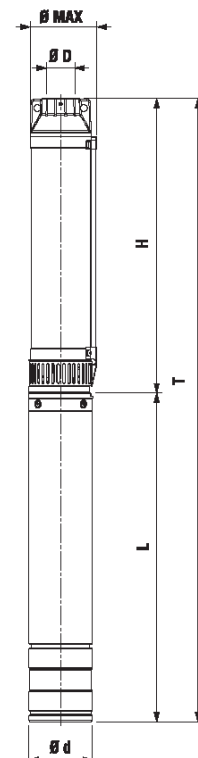
Shaft	Stainless steel AISI 316 (1.4401)		
Impeller	Poly carbonates		
Diffuser	Thermoplastic resin		
Suction support	Brass		
Outlet	Brass		
Tubo	Stainless steel AISI 304 (1.4301)		
Cable cover	Stainless steel AISI 304 (1.4301)		
Valv ola sferica	Rubber		

<b>Motor</b>		Frame size	4"	
Manufacturer / Type		SAER CL 95-10T		
Rated power	kW	7.5	Efficiency 4/4	82 %
Electric current	A	17.8	Speed	1/min 2900
Electric voltage	V	380 V	3~	Hz 50
Starting mode		Directly		
Degree of protection		IP 68	Insulation class	B

Remarks:

**Dimensions in mm**

H	1437
L	781
od	95
oD	G 2"
oMax	100
T	2218

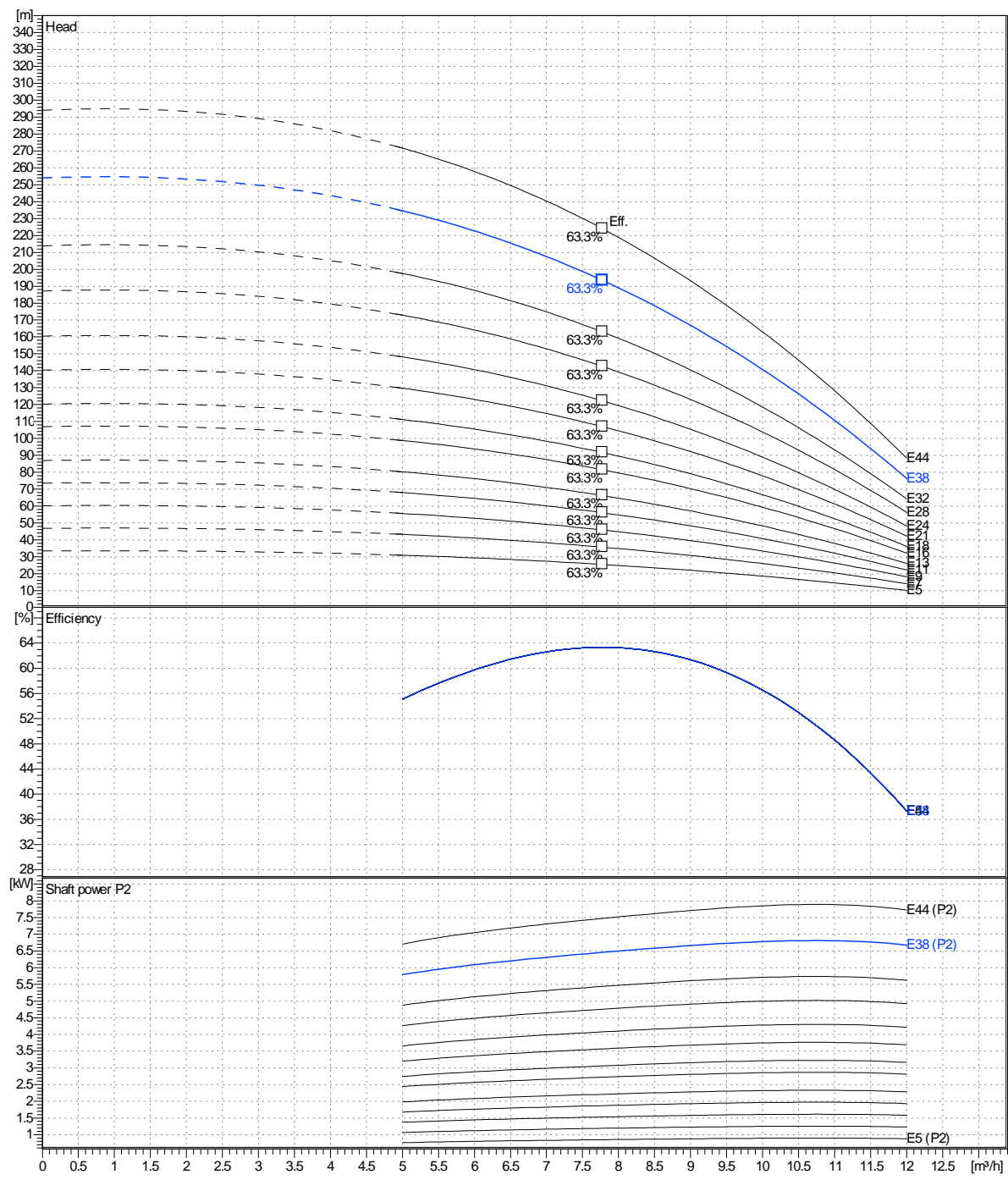


Project	Project ID	Created by	Created on	Last update
			2022-01-25	

<b>Receiver</b>	<b>From</b>
Company name	
Respons. Department	
Person in charge	
Phone number	
Fax no	
E-mail address	

Operating area	Flow	Head	Impeller type	Radial impeller
Operating data specification	0 m <sup>3</sup> /h	0 m	Impeller construction	Closed
Pump data	m <sup>3</sup> /h	m	Sense of rotation	Counter clockwise
			Outlet width	2"
	Flow		Speed	
	Min.	Max.	1/min 2900	
	m <sup>3</sup> /h	m <sup>3</sup> /h	Frequency Hz 50 Hz	
	5	12		
	Head		Shaft power P2	
	H(Q=0)	$\eta$ Max.	P2(Q=0)	Max.
	m	m	kW	kW
	254	194	6.81	6.46

Performance data based to: Water, pure [100%] ; 20°C; 0.998kg/dm<sup>3</sup>; 1mm<sup>2</sup>/s UNI EN ISO 9906:2012 - Grade 3B

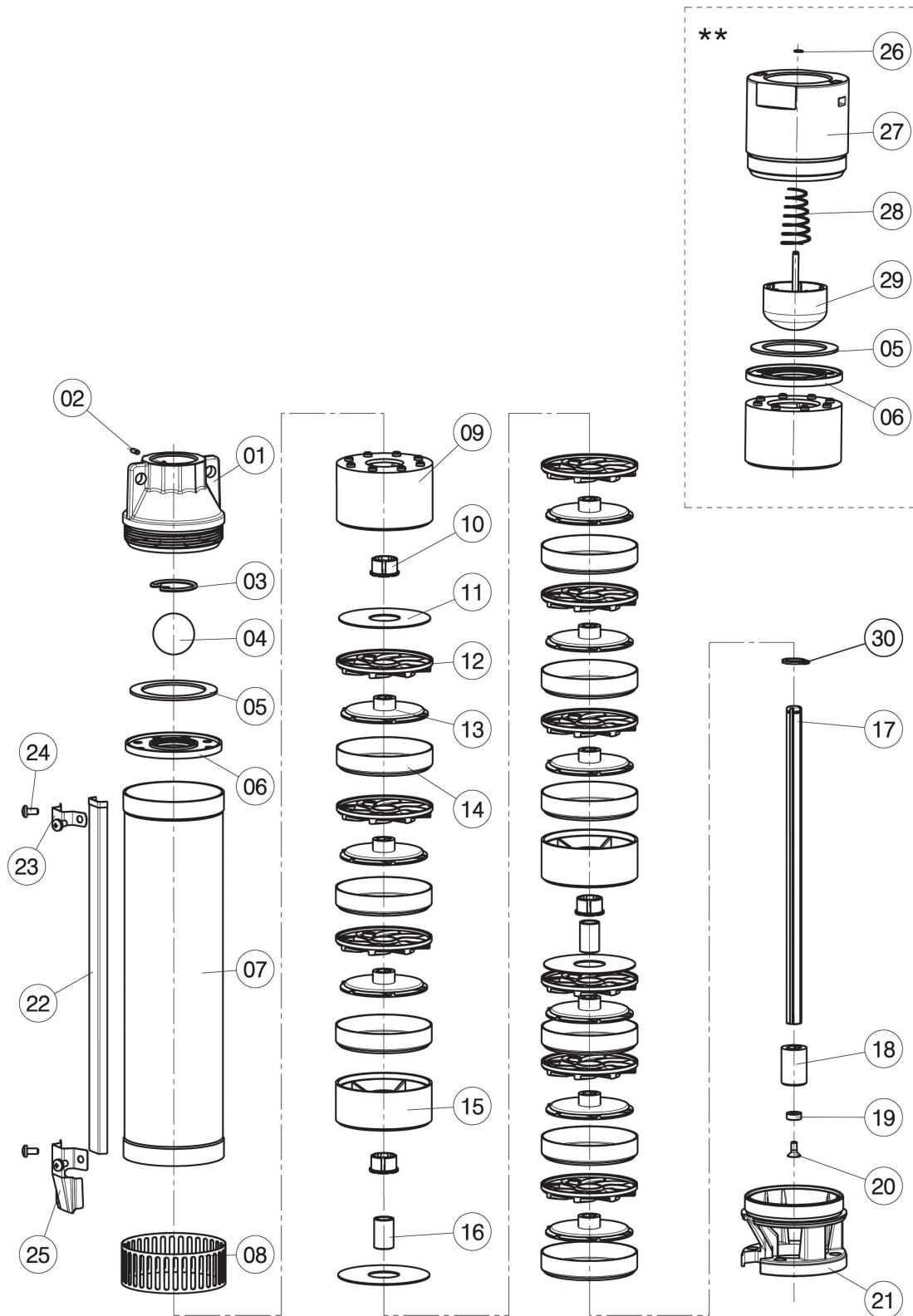


Project	Project ID	Created by	Created on	Last update
			2022-01-25	

Receiver

From

Company name  
Respons. Department  
Person in charge  
Phone number  
Fax no  
E-mail address



\* = Materiale a richiesta • Material on request • Material bajo pedido  
\*\* = Versione a richiesta • Versions on request • Versiones bajo pedido

Project

Project ID

Created by

Created on  
**2022-01-25**

Last update



Picture  
FS-98E38

Revision no

Page:  
4

Company name  
Respons. Department  
Person in charge  
Phone number  
Fax no  
E-mail address

