



MFV

MULTI-FUNCTION VALVE

Installation and
operating instructions



net.grundfos.com/qr/i/96772109

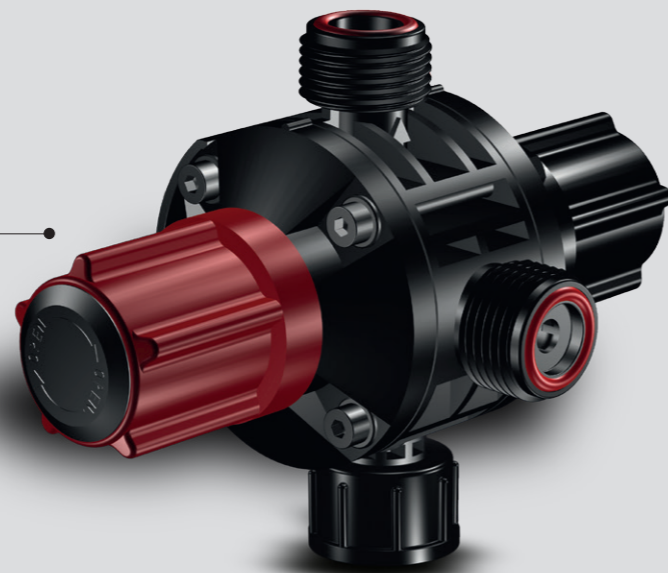
be
think
innovate

GRUNDFOS 



2x





	PVC/PP	PVDF
< 12 bar (< 174 psi)	0°C – +40°C (32°F – 104°F)	-10°C – +40°C (14°F – 104°F)
12 – 16 bar (174 – 232 psi)	0°C – +20°C (32°F – 68°F)	-10°C – +20°C (14°F – 68°F)



$P_{max} = 16 \text{ bar (232 psi)}$



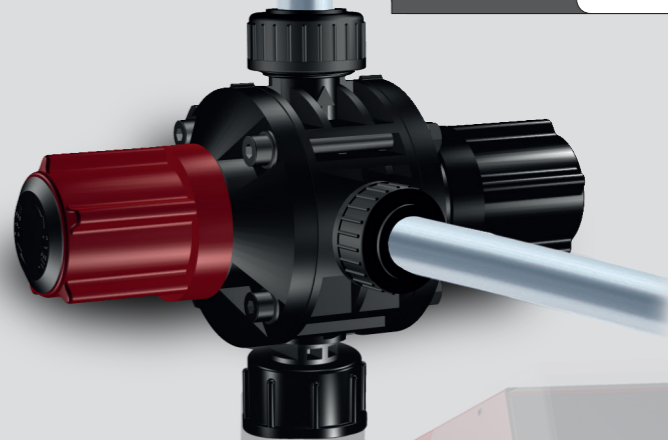
< 12 bar
(< 174 psi)



0°C – +40°C
(32°F – 104°F)

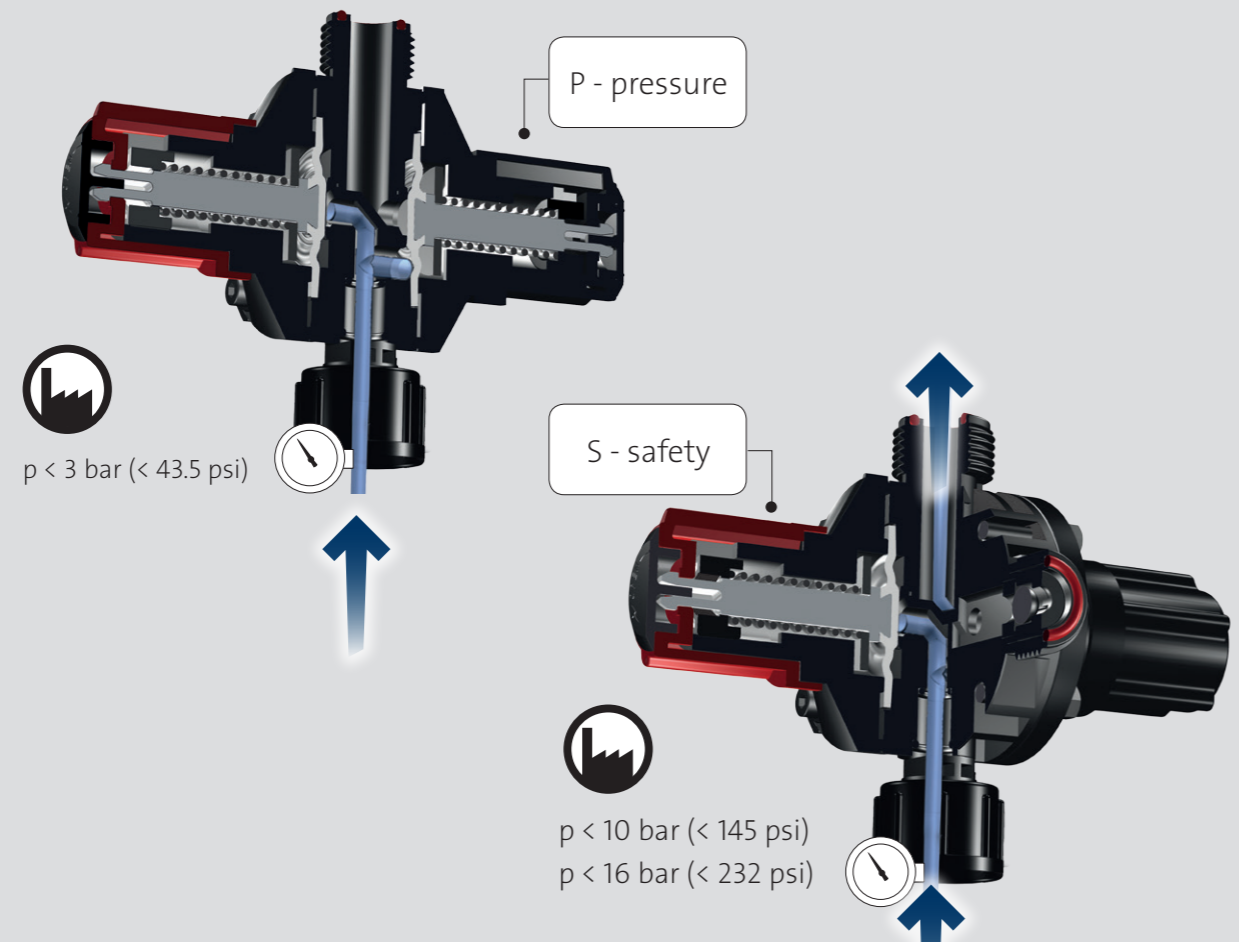
12 – 16 bar
(174 – 232 psi)

0°C – +20°C
(32°F – 68°F)

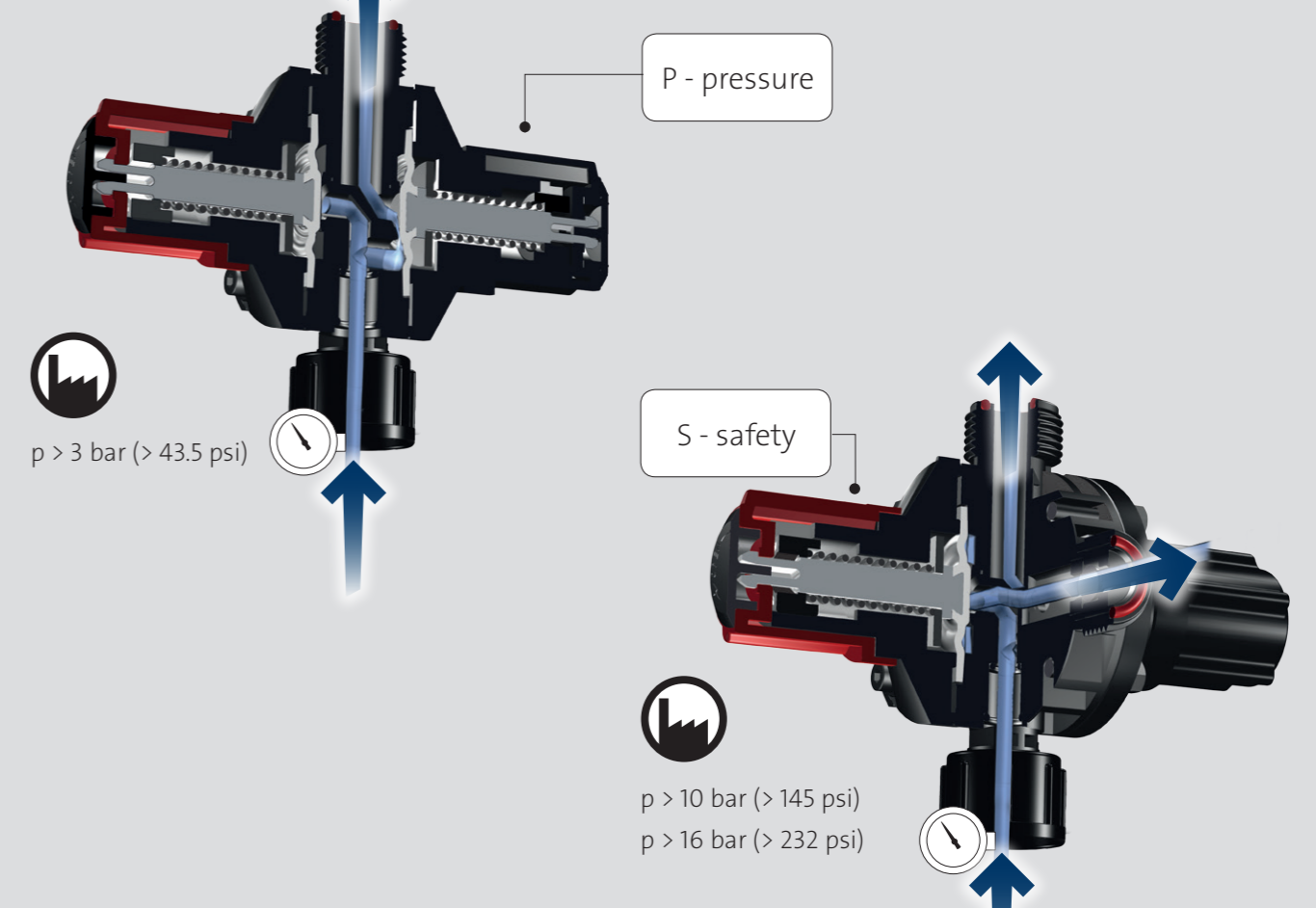




i

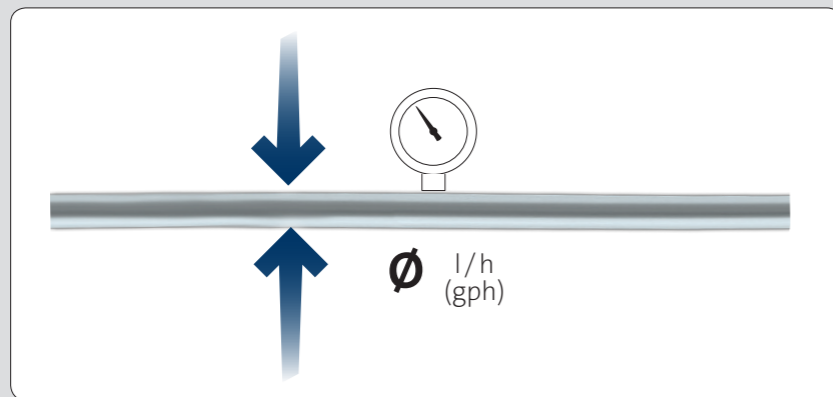
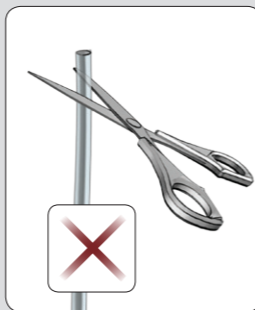
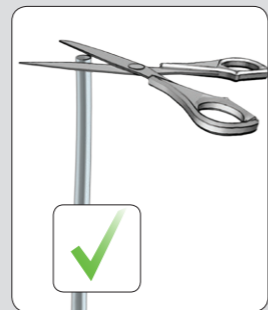
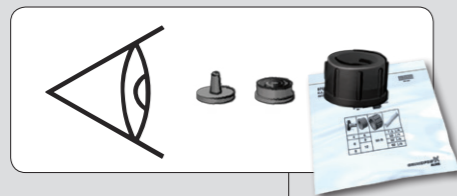


i

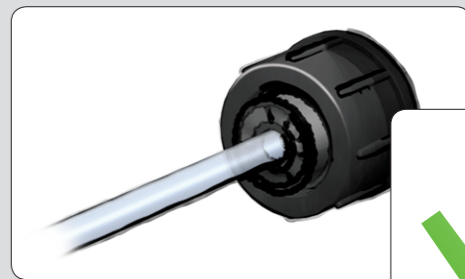
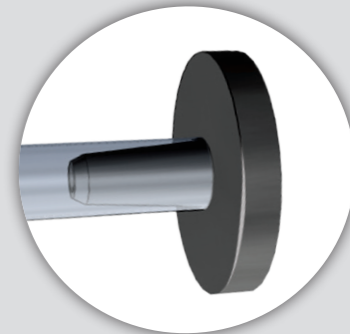
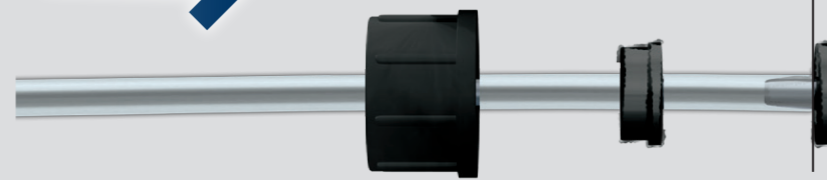
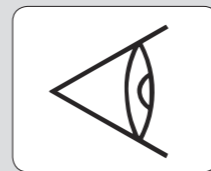




1

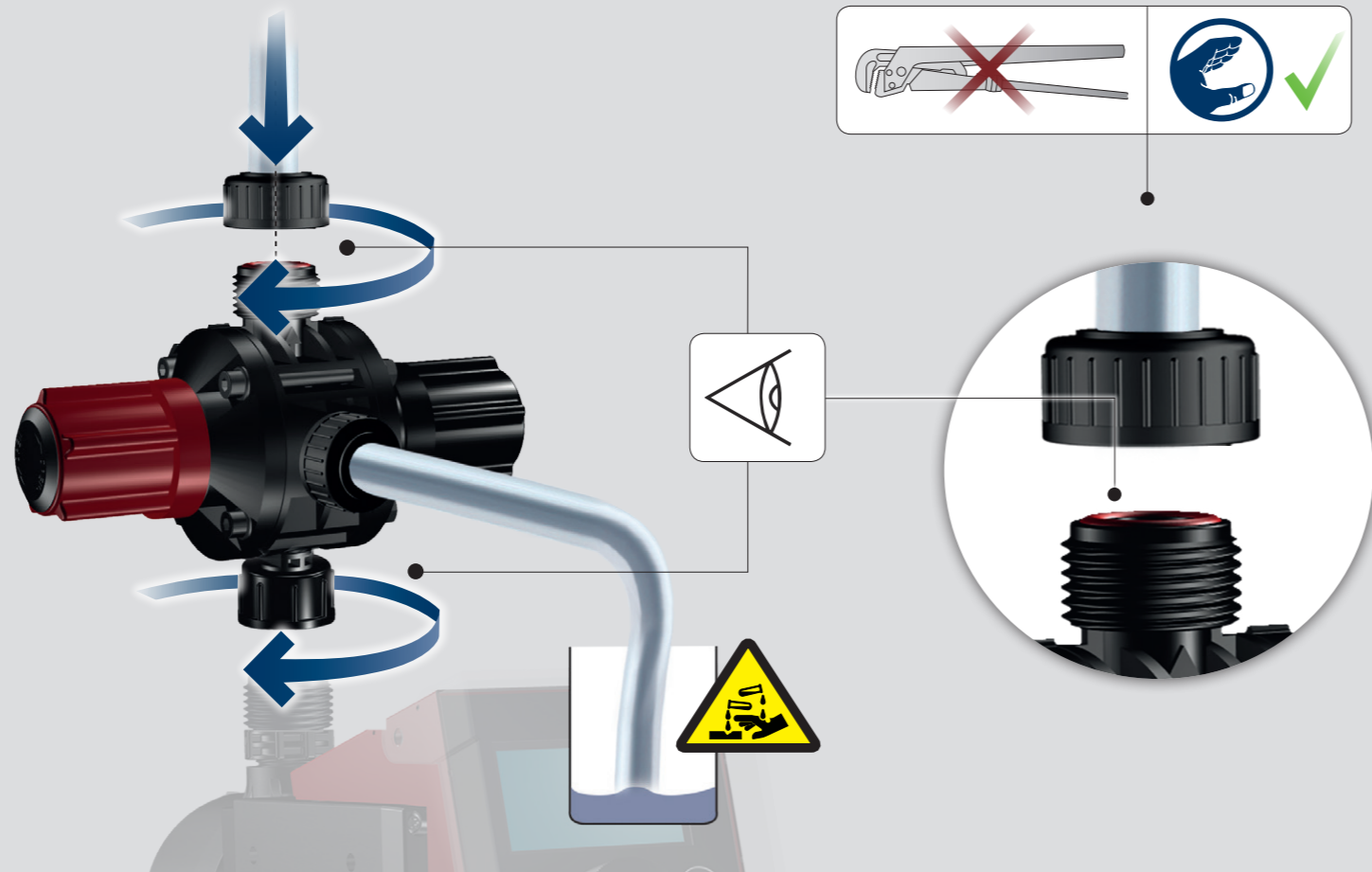


2

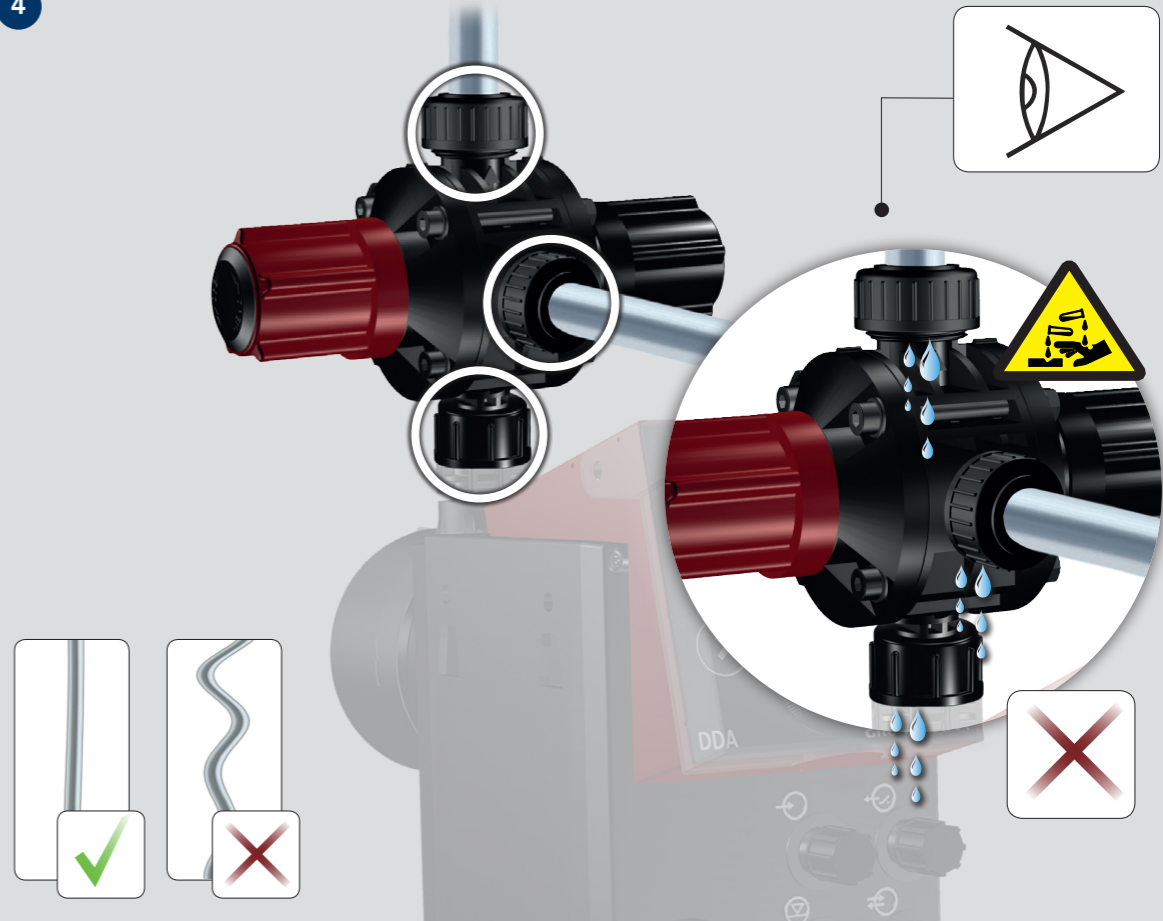




3

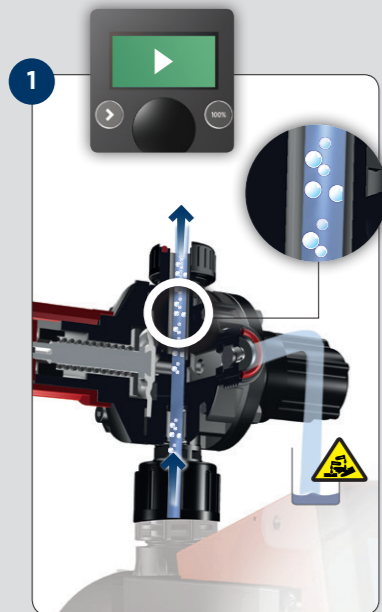


4

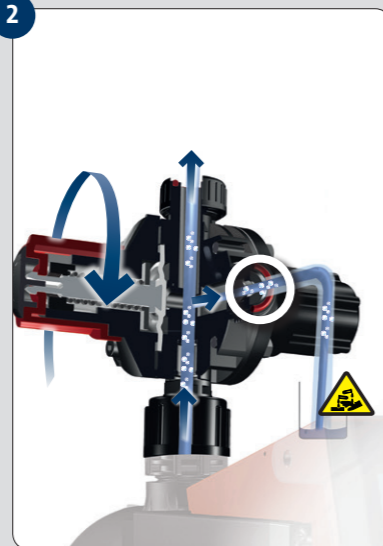




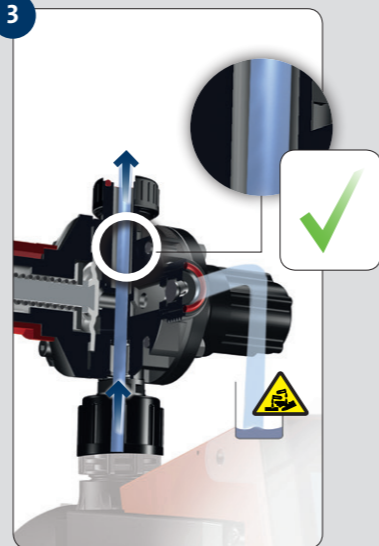
i



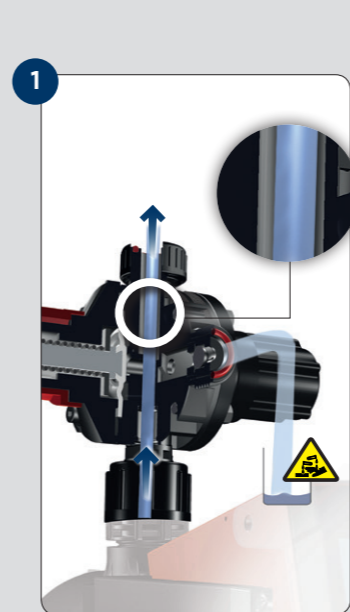
2



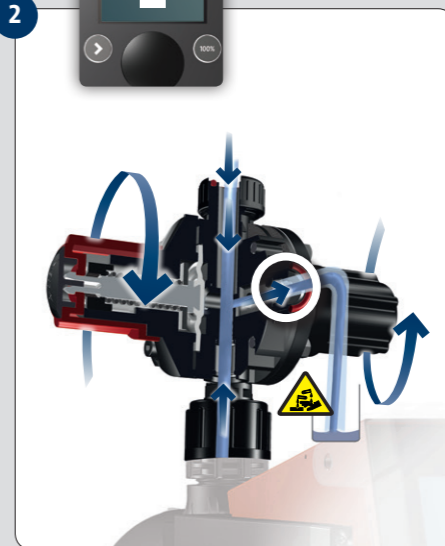
3



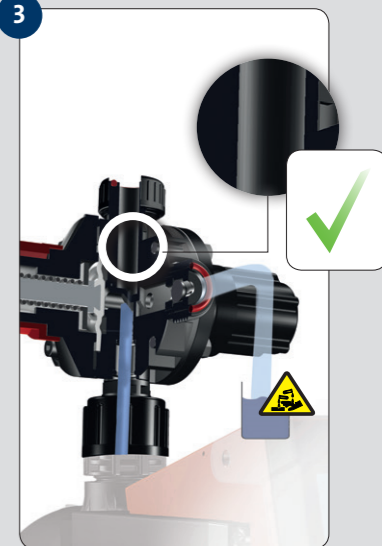
i



2

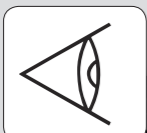


3



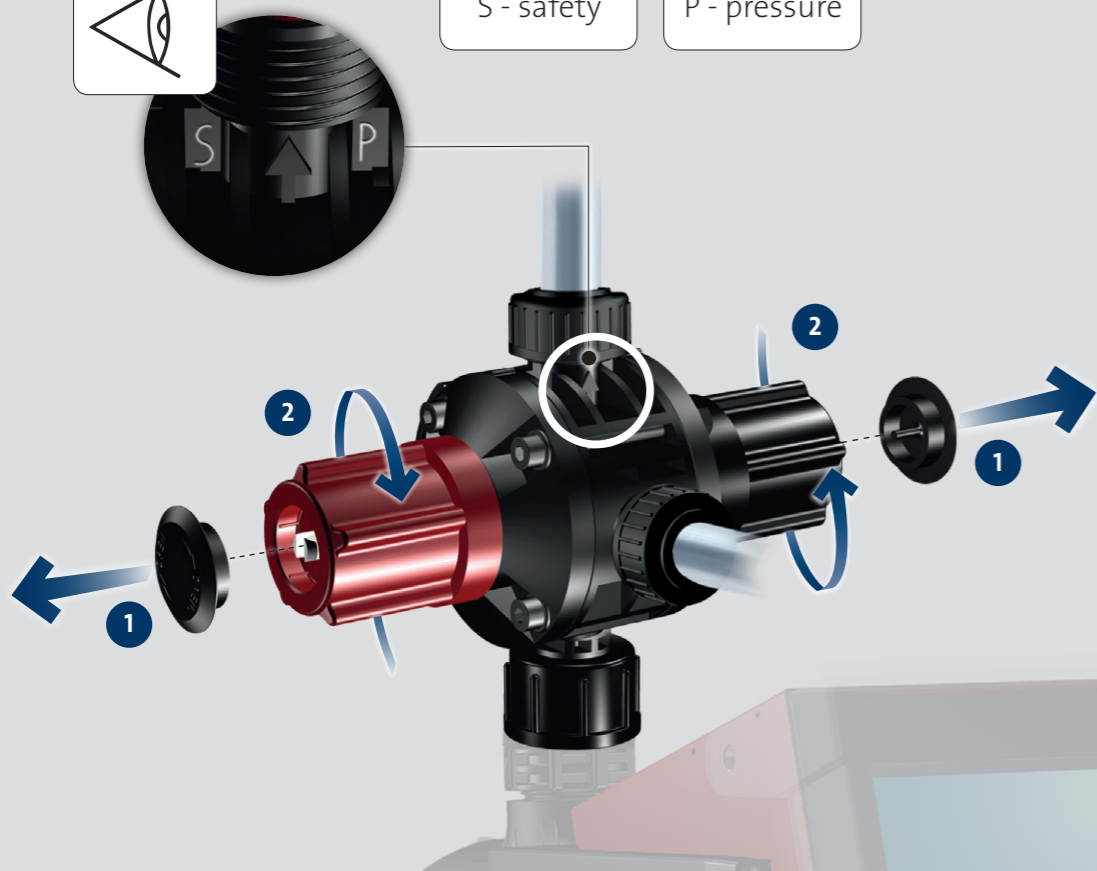


i

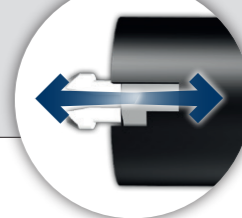
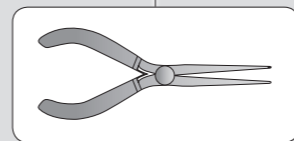
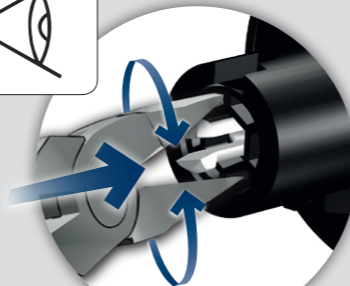
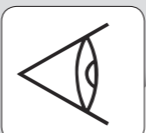


S - safety

P - pressure

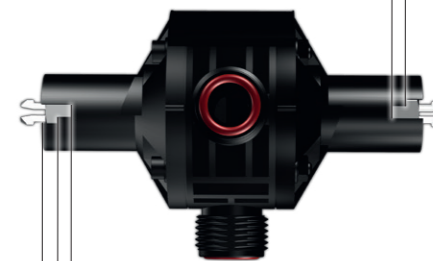


i



1–2 bar (14.5–29 psi)

3–4 bar (43.5–59 psi)



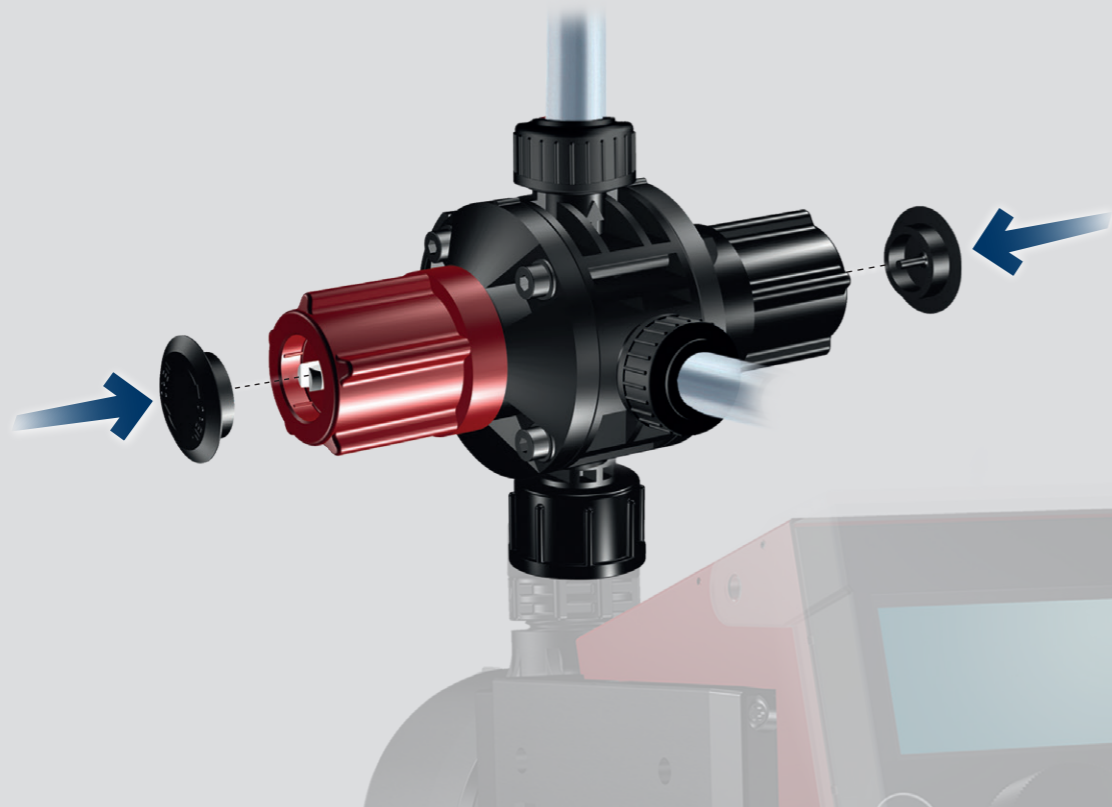
16 + 2 bar (232 + 29 psi)

10 + 2 bar (145 + 29 psi)

7 + 2 bar (102 + 29 psi)



net.grundfos.com/qr/i/96772109





be think innovate

95731175 0517

ECM: 1204328

GRUNDFOS Holding A/S
Poul Due Jensens Vej 7
DK-8850 Bjerringbro
Tel: +45 87 50 14 00
www.grundfos.com

GRUNDFOS 

The name Grundfos, the Grundfos logo, and be think innovate are registered trademarks owned by Grundfos Holding A/S or Grundfos A/S, Denmark. All rights reserved worldwide.