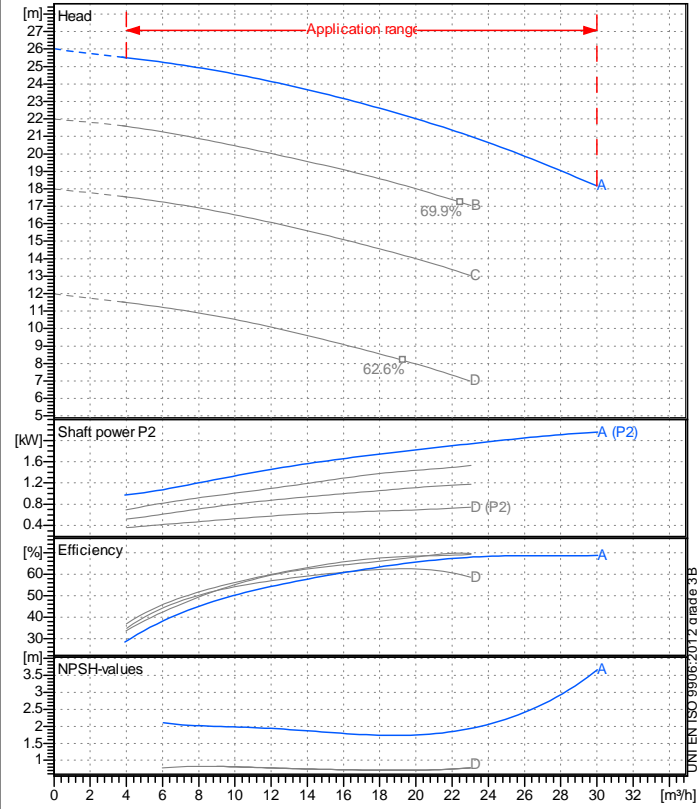


Company name
 Respons. Department
 Person in charge
 Phone number
 Fax no
 E-mail address

Receiver	From



Operating data specification

Nominal flow	m³/h 0
Nominal head	m 0
Static head	m 0
NPSH - v value of plant	m 0
Inlet pressure	bar 0.09793
Fluid	Water, pure
Operating temperature t A	°C 20
Density at t A	kg/dm³ 0.9983
Kin. viscosity at t A	mm²/s 1.005

Pump

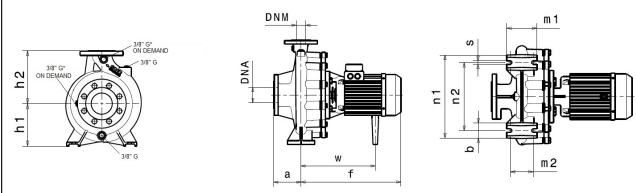
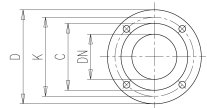
Pump name	IR32-125SA		
Size	50/32/125		
MEI (Reg. 547/2002 EU) >	0,7		
Speed 1/min	2900	No of stages	1
Impeller type	Radial impeller		
Flow	Nominal	m³/h	
	Max-	m³/h	30
	Min-	m³/h	4
Head	Nominal	m	
	Max-	m	25.5
	Min-	m	18.2
Head H(Q=0)	m 26		
NPSH 3%	m		
Max. working pressure	bar 2.55		
Shaft power	kW		
Efficiency	%		
Max absorbed power	kW 2.1575		

Materials Pump

Shaft	Stainless steel AISI 431 (1.4057)		
Impeller	Cast iron EN-GJL-250		
Pump body	Cast iron EN-GJL-250		
Seal disc	Cast iron EN-GJL-250		
Gasket	Natural fiber		
Mechanical seal	BVEG (Grafito/Ossido Allumina/EPDM)		

Dimensions in mm

a	80	DNM	DNA		
b	50	C	78	C	102
f	371.5	D	140	D	165
h1	112	DN	32	DN	50
h2	140	K	100	K	125
m1	100	n°	4 x 19 mm		4 x 19 mm
m2	70				
n1	190				
n2	140				
s	14				
w	272.5				



Motor	Manufacturer / Type	SAER	90-2P-3	
Efficiency	IEC 60034-30	IE3		
Rated power	kW 2.2	Efficiency 4/4	85.9 %	
Number of poles	2	Frame size	90	
Electric current	A 4.6 A	Speed	1/min 2915	
Electric voltage	V 380 V	3~	Hz 50	
Starting mode	Unknown			
Degree of protection	IP 55	Insulation class	F	

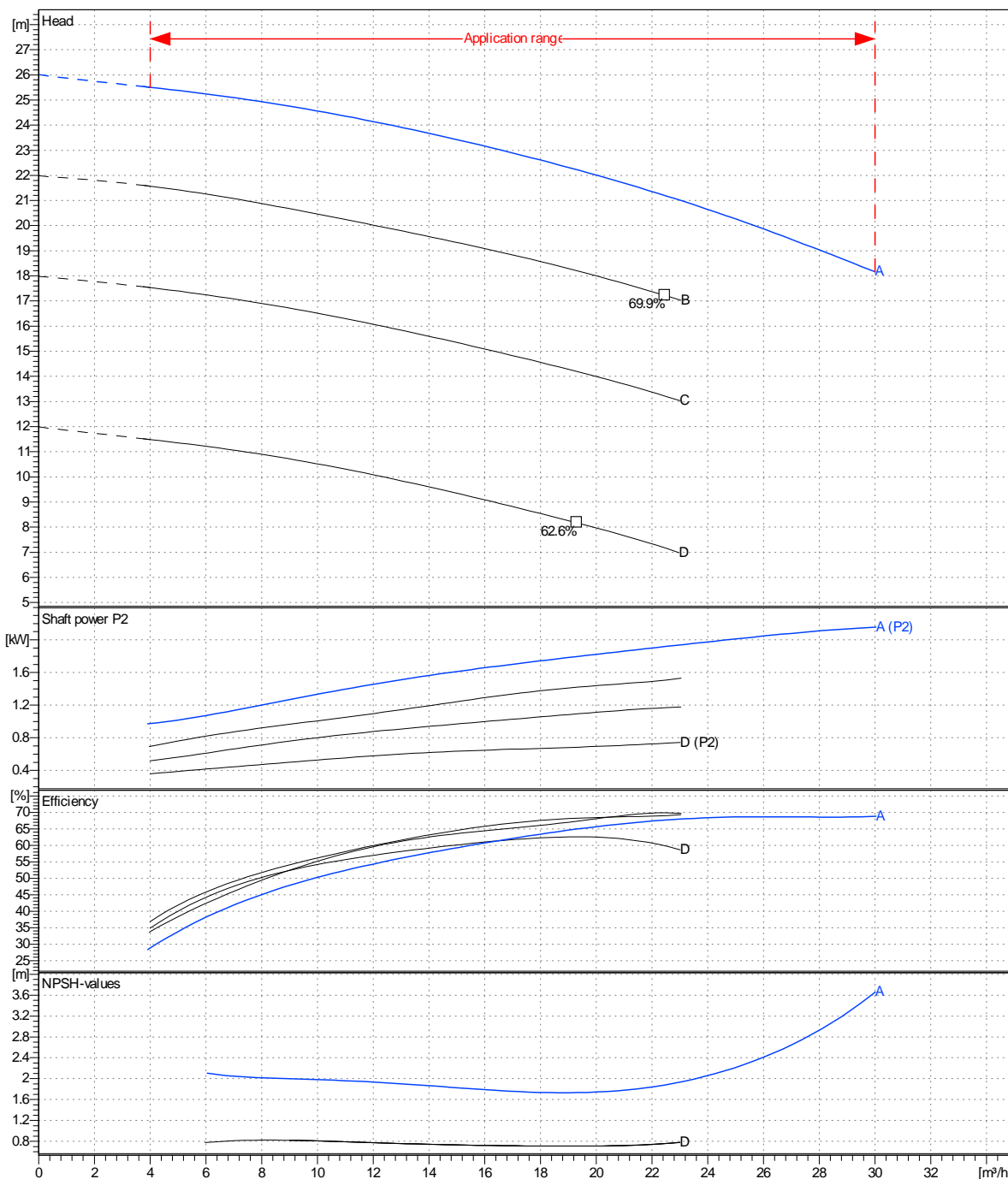
Remarks:

Project	Project ID	Created by	Created on	Last update
			2021-08-05	

Receiver	From
Company name	
Respons. Department	
Person in charge	
Phone number	
Fax no	
E-mail address	

Operating area	Flow	Head	Impeller type	Radial impeller
Operating data specification	0 m ³ /h	0 m	Impeller construction	Closed
Pump data	m ³ /h	m	Sense of rotation	Clockwise from the drive end
			Outlet width	DN32
	Flow		Speed	
	Min.	Max.	1/min	
	m ³ /h	m ³ /h	2900	
			Frequency	
			Hz	
	4	30	50 Hz	

Performance data based to: Water, pure [100%]; 20°C; 0.998kg/dm³; 1mm²/s UNI EN ISO 9906:2012 - Grade 3B



Project	Project ID	Created by	Created on	Last update
			2021-08-05	

Revision no

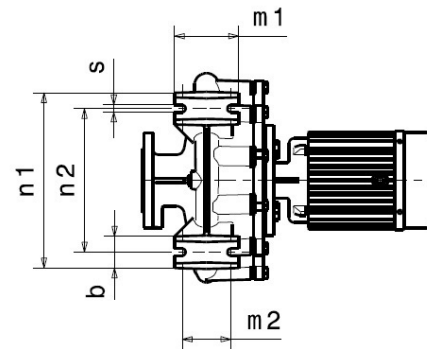
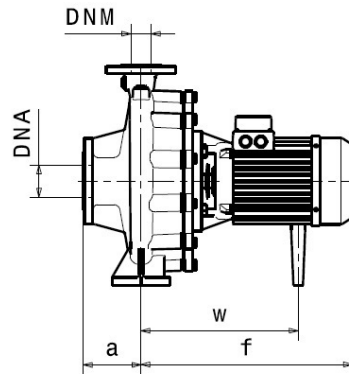
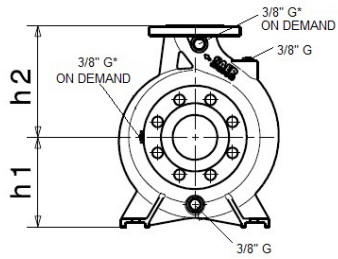
Pump dimensions

Connections

Suction side DN50 PN10 / PN16	Discharge port DN32 PN10 / PN16
-------------------------------------	---------------------------------------

Dimensions in mm

a	80		
b	50		
f	371.5		
h1	112		
h2	140		
m1	100		
m2	70		
n1	190		
n2	140		
s	14		
w	272.5		



Disegni dimensionali e immagini non vincolanti. Saer si riserva il diritto di effettuare cambiamenti senza alcun preavviso.
Dimensional drawing and picture are not binding. Saer reserves the right to make changes without prior notice.

Project

Project ID

Created by

Created on
2021-08-05

Last update