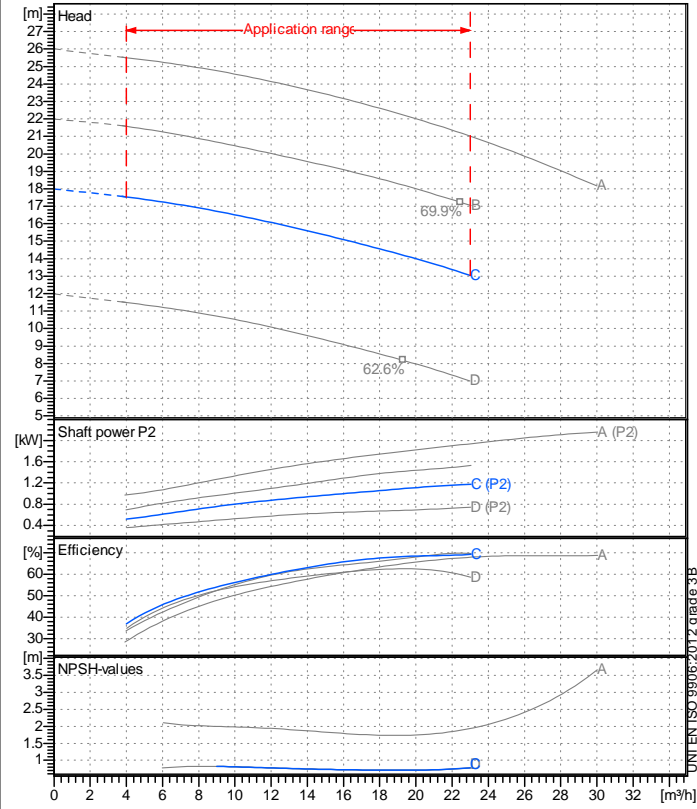


Company name
 Respons. Department
 Person in charge
 Phone number
 Fax no
 E-mail address

Receiver	From



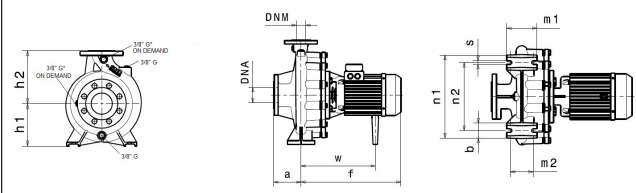
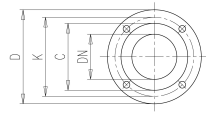
Operating data specification

Nominal flow	m³/h	0
Nominal head	m	0
Static head	m	0
NPSH - v alue of plant	m	0
Inlet pressure	bar	0.09793
Fluid		Water, pure
Operating temperature t A	°C	20
Density at t A	kg/dm³	0.9983
Kin. viscosity at t A	mm²/s	1.005

Pump		
Pump name	IR32-125SC	
Size	50/32/125	
MEI (Reg. 547/2002 EU) >	0,7	
Speed 1/min	2900	
No of stages	1	
Impeller type	Radial impeller	
Flow	Nominal	m³/h
	Max-	m³/h 23
	Min-	m³/h 4
Head	Nominal	m
	Max-	m 17.5
	Min-	m 13
Head H(Q=0)	m	18
NPSH 3%	m	
Max. working pressure	bar	1.76
Shaft power	kW	
Efficiency	%	
Max absorbed power	kW	1.1786

Materials Pump	
Shaft	Stainless steel AISI 431 (1.4057)
Impeller	Cast iron EN-GJL-250
Pump body	Cast iron EN-GJL-250
Seal disc	Cast iron EN-GJL-250
Gasket	Natural fiber
Mechanical seal	BVEG (Grafito/Ossido Allumina/EPDM)

Dimensions in mm			
a	80	DNM	DNA
b	50	C	78
f	335	D	140
h1	112	DN	32
h2	140	K	100
m1	100	n°	4 x 19 mm
m2	70		4 x 19 mm
n1	190		
n2	140		
s	14		
w	240		



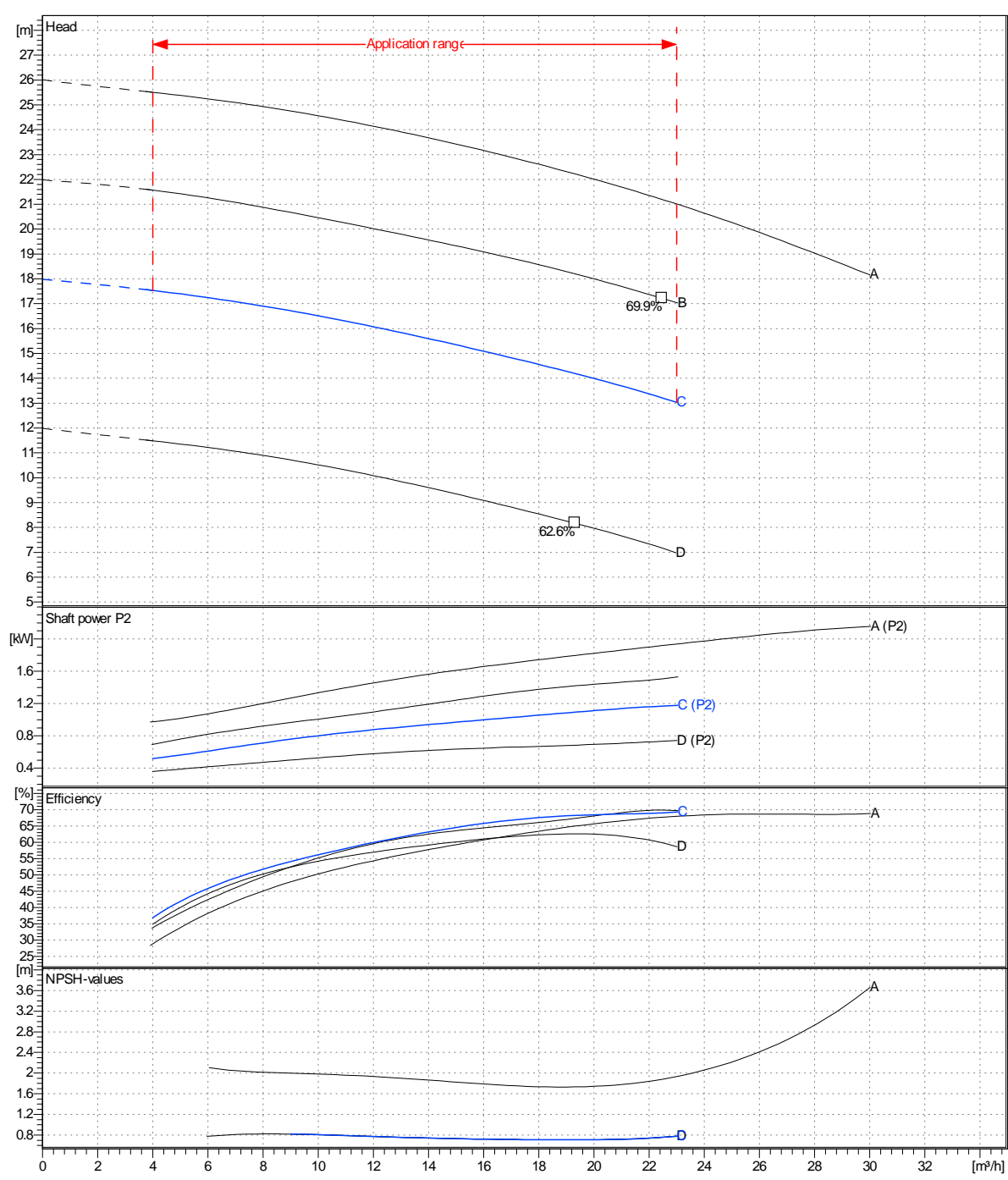
Motor		Manufacturer / Type		SAER 80-2P-1,5	
Efficiency	IEC 60034-30	IE3			
Rated power	kW	1.1	Efficiency 4/4	83.4 %	
Number of poles	2	Frame size	80		
Electric current	A	2.8 A	Speed	1/min	2893
Electric voltage	V	380 V	3~	Hz	50
Starting mode	Unknown				
Degree of protection	IP 55	Insulation class	F		

Remarks:				
Project	Project ID	Created by	Created on	Last update
			2021-08-05	

Receiver	From
Company name	
Respons. Department	
Person in charge	
Phone number	
Fax no	
E-mail address	

Operating area	Flow	Head	Impeller type	Radial impeller
Operating data specification	0 m ³ /h	0 m	Impeller construction	Closed
Pump data	m ³ /h	m	Sense of rotation	Clockwise from the drive end
			Outlet width	DN32
	Flow		Speed	
	Min.	Max.	1/min	
	m ³ /h	m ³ /h	2900	
			Frequency	
			Hz	
	4	23	50 Hz	

Performance data based to: Water, pure [100%]; 20°C; 0.998kg/dm³; 1mm²/s UNI EN ISO 9906:2012 - Grade 3B



Project	Project ID	Created by	Created on	Last update
			2021-08-05	

Revision no

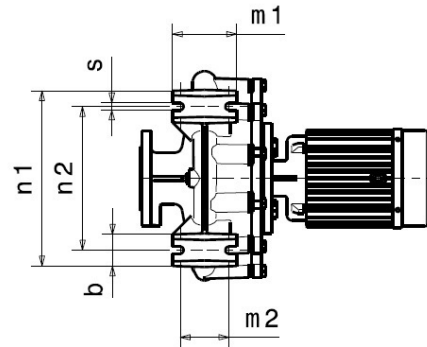
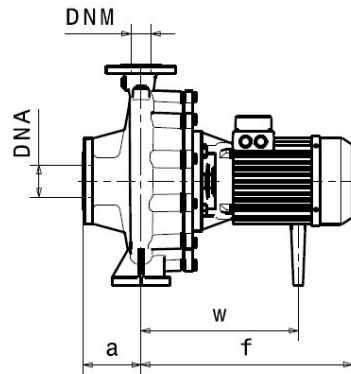
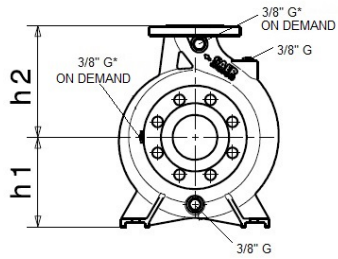
Pump dimensions

Connections

Suction side DN50 PN10 / PN16	Discharge port DN32 PN10 / PN16
-------------------------------------	---------------------------------------

Dimensions in mm

a	80		
b	50		
f	335		
h1	112		
h2	140		
m1	100		
m2	70		
n1	190		
n2	140		
s	14		
w	240		



Disegni dimensionali e immagini non vincolanti. Saer si riserva il diritto di effettuare cambiamenti senza alcun preavviso.
Dimensional drawing and picture are not binding. Saer reserves the right to make changes without prior notice.

Project

Project ID

Created by

Created on
2021-08-05

Last update