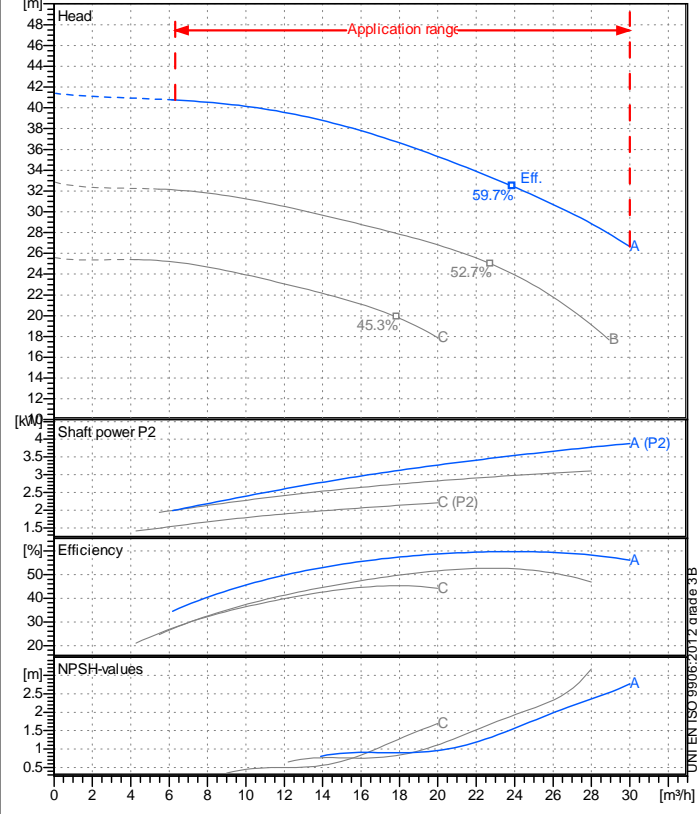


Company name  
 Respons. Department  
 Person in charge  
 Phone number  
 Fax no  
 E-mail address

Receiver	From



### Operating data specification

Nominal flow	m³/h 0
Nominal head	m 0
Static head	m 0
NPSH - v alue of plant	m 0
Inlet pressure	bar 0.09793
Fluid	Water, pure
Operating temperature t A	°C 20
Density at t A	kg/dm³ 0.9983
Kin. viscosity at t A	mm²/s 1.005

### Pump

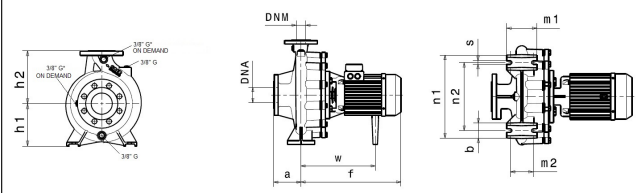
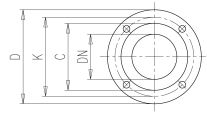
Pump name	IR32-160SA		
Size	50/32/160		
MEI (Reg. 547/2002 EU) >	0,5		
Speed 1/min	2900	No of stages	1
Impeller type	Radial impeller		
Flow	Nominal	m³/h	
	Max-	m³/h	30
	Min-	m³/h	6.31
Head	Nominal	m	
	Max-	m	40.8
	Min-	m	26.6
Head H(Q=0)	m	41.4	
NPSH 3%	m		
Max. working pressure	bar	4.05	
Shaft power	kW		
Efficiency	%		
Max absorbed power	kW	3.8805	

### Materials Pump

Shaft	Stainless steel AISI 431 (1.4057)
Impeller	Cast iron EN-GJL-250
Pump body	Cast iron EN-GJL-250
Seal disc	Cast iron EN-GJL-250
Gasket	Natural fiber
Mechanical seal	BVEG (Grafito/Ossido Allumina/EPDM)

### Dimensions in mm

a	80	DNM		DNA	
b	50	C	78	C	102
f	427	D	140	D	165
h1	132	DN	32	DN	50
h2	160	K	100	K	125
m1	100	n°	4 x 19 mm	n°	4 x 19 mm
m2	70				
n1	240				
n2	190				
s	14				
w	304				



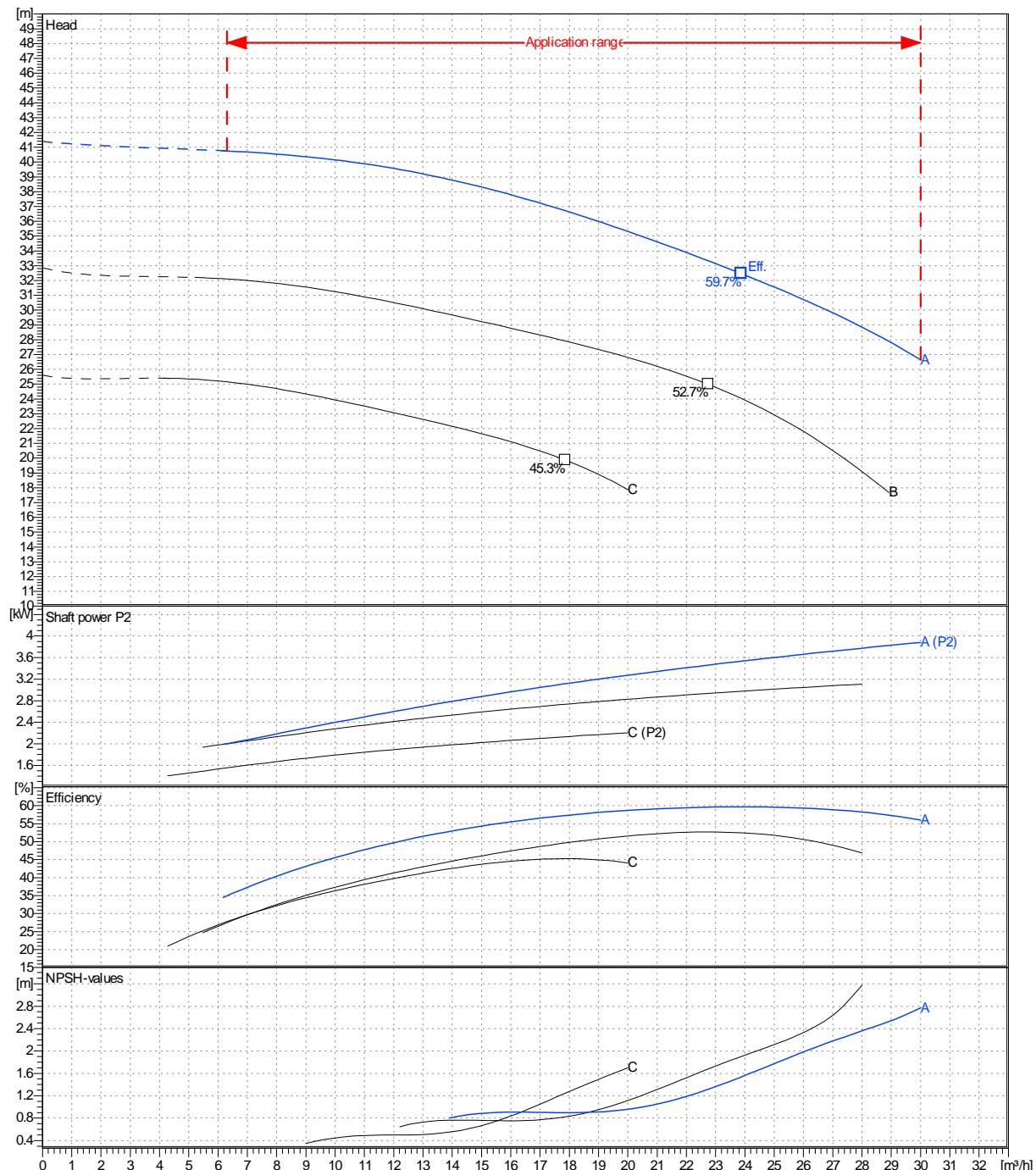
<b>Motor</b>	Manufacturer / Type	SAER	112-2P-5,5	
Efficiency	IEC 60034-30	IE3		
Rated power	kW 4	Efficiency 4/4	88.1 %	
Number of poles	2	Frame size	112	
Electric current	A 7.9 A	Speed	1/min	2925
Electric voltage	V 380 V	3~	Hz	50
Starting mode	Unknown			
Degree of protection	IP 55	Insulation class	F	

Remarks:				
Project	Project ID	Created by	Created on	Last update
			<b>2021-08-05</b>	

Receiver		From	
Company name			
Respons. Department			
Person in charge			
Phone number			
Fax no			
E-mail address			

Operating area	Flow	Head	Impeller type	Radial impeller
Operating data specification	0 m <sup>3</sup> /h	0 m	Impeller construction	Closed
Pump data	m <sup>3</sup> /h	m	Sense of rotation	Clockwise from the drive end
			Outlet width	DN32
	Flow	Head	Shaft power P2	Speed
	Min. Max. $\eta$ Max.	H(Q=0) $\eta$ Max.	P2(Q=0) Max. $\eta$ Max.	1/min 2900
	m <sup>3</sup> /h m <sup>3</sup> /h m <sup>3</sup> /h	m m	kW kW kW	Frequency Hz 50 Hz
	6.31 30 23.9	41.4 32.5	3.88 3.53	

Performance data based to: Water, pure [100%]; 20°C; 0.998kg/dm<sup>3</sup>; 1mm<sup>2</sup>/s UNI EN ISO 9906:2012 - Grade 3B



Project	Project ID	Created by	Created on 2021-08-05	Last update
---------	------------	------------	--------------------------	-------------

Revision no

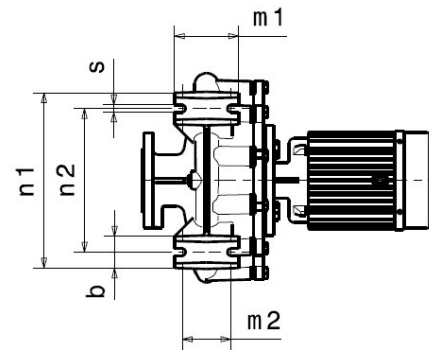
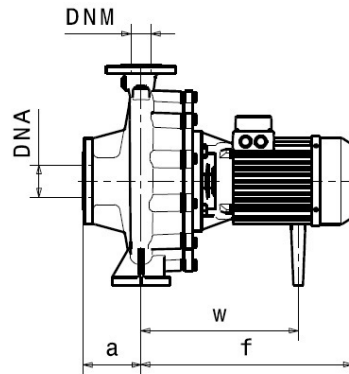
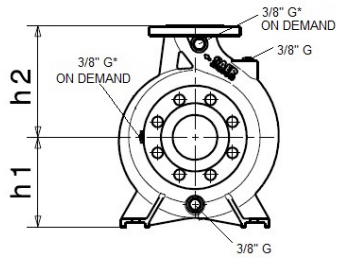
Pump dimensions

Connections

Suction side	Discharge port
DN50	DN32
PN10 / PN16	PN10 / PN16

Dimensions in mm

a	80		
b	50		
f	427		
h1	132		
h2	160		
m1	100		
m2	70		
n1	240		
n2	190		
s	14		
w	304		



Disegni dimensionali e immagini non vincolanti. Saer si riserva il diritto di effettuare cambiamenti senza alcun preavviso.  
Dimensional drawing and picture are not binding. Saer reserves the right to make changes without prior notice.

Project

Project ID

Created by

Created on  
2021-08-05

Last update