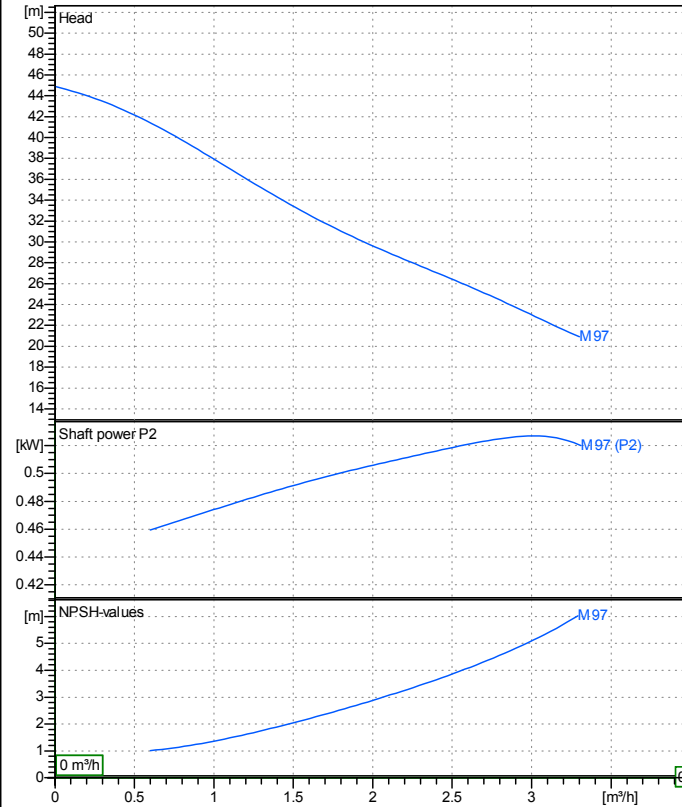


Receiver

From

 Company name  
 Respons. Department  
 Person in charge  
 Phone number  
 Fax no  
 E-mail address

**Operating data specification**

Nominal flow	m³/h 0
Nominal head	m 0
Static head	m 0
NPSH - v value of plant	m 0
Inlet pressure	kPa 9.793
Fluid	Water, pure
Operating temperature t A	°C 20
Density at t A	kg/m³ 998.3
Kin. viscosity at t A	mm²/s 1.005

**Pump**

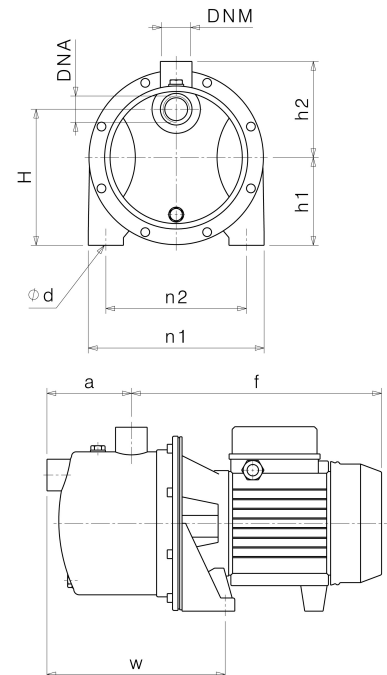
Pump name	M 97		
Size			
Design			
Speed rpm	2850	No of stages	1
Impeller type			
Flow	Nominal	m³/h	
	Max-	m³/h	3.3
	Min-	m³/h	0
Head	Nominal	m	
	Max-	m	44.9
	Min-	m	20.9
Head H(Q=0)	m	44.9	
NPSH 3%	m		
Max. working pressure	kPa	440	
Shaft power	kW		
Efficiency	%		
Max absorbed power	kW	0.52696	

**Materials Pump**

Pump body	Stainless steel AISI 304 (1.4301)
Impeller	Thermoplastic resin
Seal disc	Stainless steel AISI 304 (1.4301)
Shaft	Stainless steel AISI 420 (1.4028)
Diffuser	Thermoplastic resin
Complete ejector	Thermoplastic resin
Tenuta meccanica	BXPG (Gra/Cer/NBR)

**Dimensions in mm**

a	98
DNA	G 1"
DNM	G 1"
f	247
H	155
h1	100
h2	106
n1	200
n2	160
ød	10
w	209



<b>Motor</b>	Frame size	71		
Manufacturer / Type	SAER	71 2 - 0,55 1~		
Rated power	kW	0.55	Efficiency 4/4	- %
Electric current	A	4.5 A	Speed	rpm 2950
Electric voltage	V	230 V	1~	Hz 50
Starting mode	Unknown			
Degree of protection	IP 44	Insulation class	F	

Remarks:

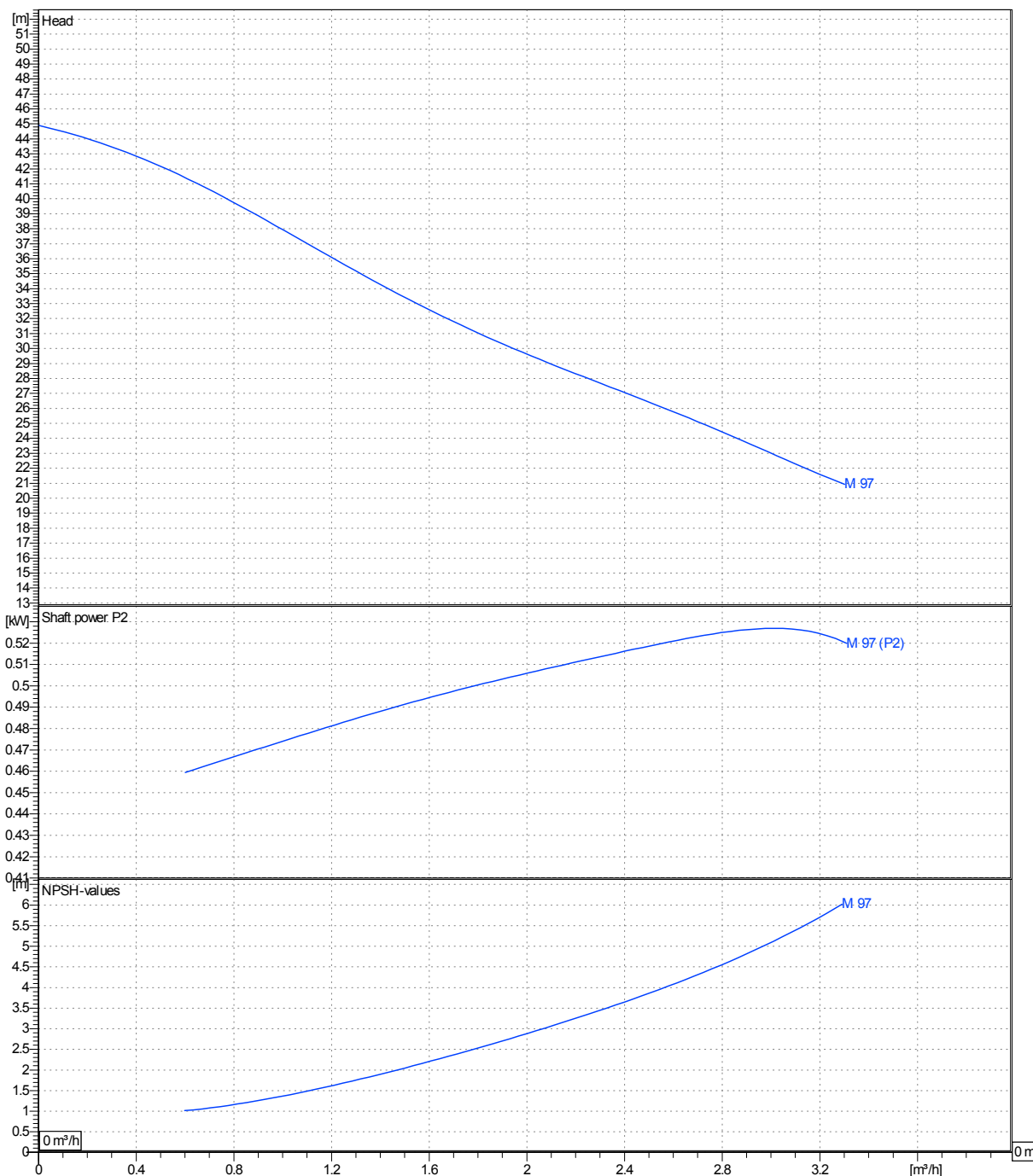
Project	Project ID	Created by	Created on 7/30/2019	Last update
---------	------------	------------	-------------------------	-------------

<b>Receiver</b>	<b>From</b>
Company name	
Respons. Department	
Person in charge	
Phone number	
Fax no	
E-mail address	

Operating area	Flow	Head	Impeller type
Operating data specification	0 m <sup>3</sup> /h	0 m	Impeller construction
Pump data	m <sup>3</sup> /h	m	Sense of rotation
			Clockwise from the drive end
			Outlet width
			G1"
	Flow	Head	Shaft power P2
	Min. Max. $\eta$ Max.	H(Q=0) $\eta$ Max.	P2(Q=0) Max. $\eta$ Max.
	m <sup>3</sup> /h m <sup>3</sup> /h m <sup>3</sup> /h	m m	kW kW kW
	0 3.3 3.31	44.9 20.9	0.527 0.52
			Speed rpm 2850
			Frequency Hz 50 Hz

Performance data based to: Water, pure [100%] ; 20°C; 998kg/m<sup>3</sup>; 1mm<sup>2</sup>/s

UNI EN ISO 9906:2012 - Grade 3B



Project	Project ID	Created by	Created on	Last update
			<b>7/30/2019</b>	