

LKS Garden Submersible Pump



Application

- Can be used to transfer clean water or other liquids similar to water in physical or chemical properties
- Lifting water from traditional wells, cisterns
- Suitable for small scale irrigation systems

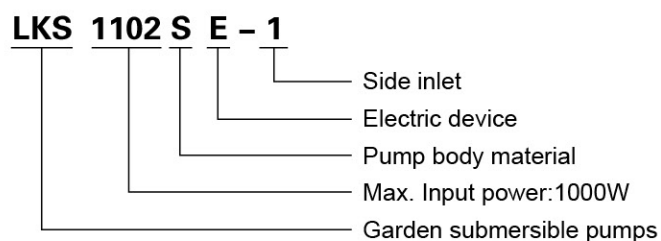
Pump

- Intelligent control device inside
- Work automatically
- AISI 304 pump body
- Max.liquid temperature: 35 °C
- Max.immersion depth: 12m

Motor

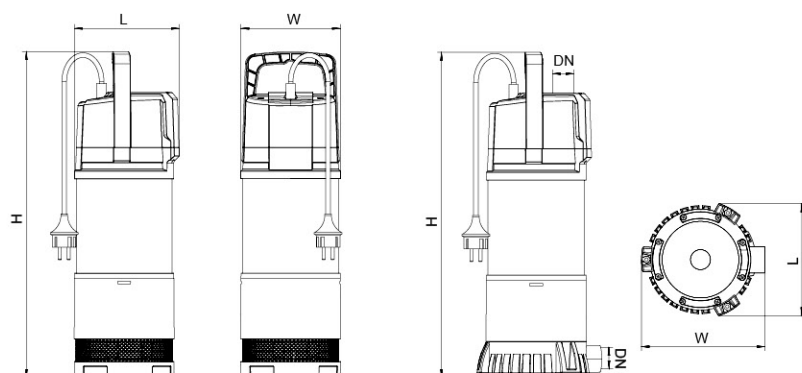
- Copper winding
- Built in thermal protector
- Insulation class: F
- Protection class: IPX8

Identification Codes



Technical Data

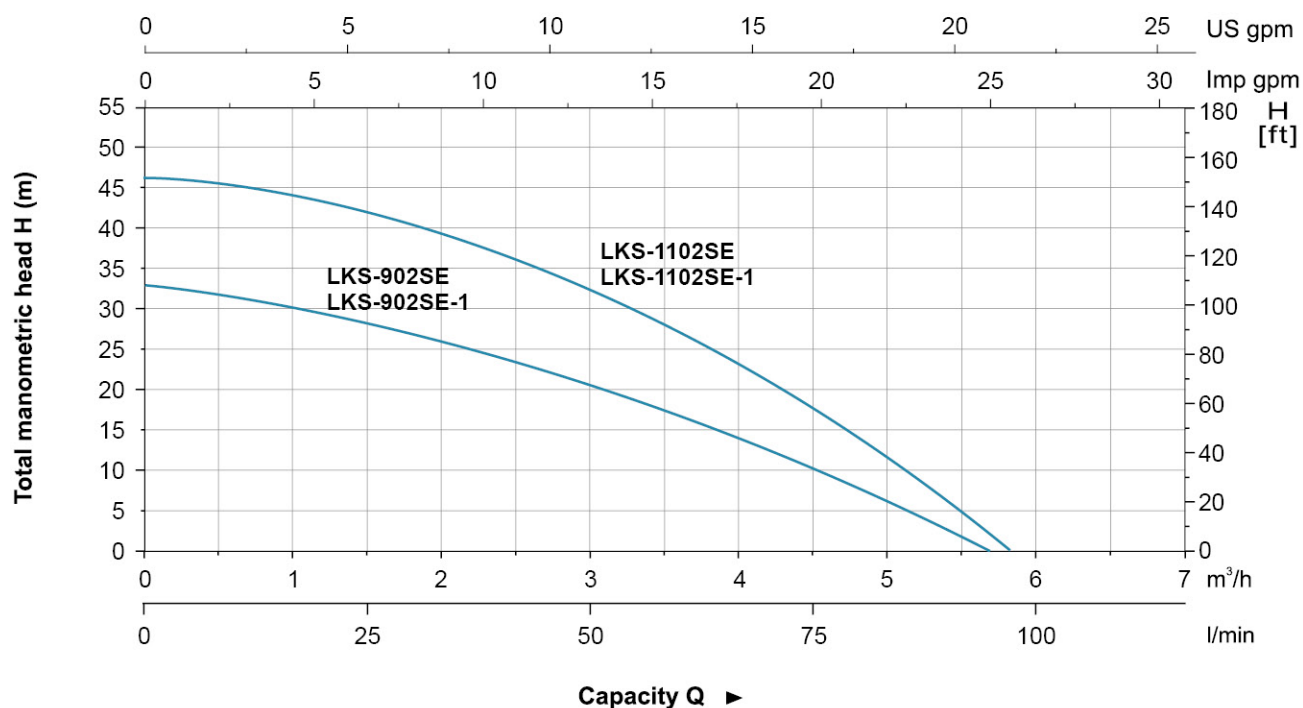
MODEL	POWER		Q (m³/h) Q (l/min)	0.5	1.0	1.5	2	2.5	3	3.5	4	4.5	5	5.5
	kW	HP		H (m)										
LKS-902SE	0.9	1.2	H (m)	33.5	31.3	29.0	26.5	23.8	20.6	17.5	14.0	10.3	6.8	2.8
LKS-902SE-1	0.9	1.2		33.5	31.3	29.0	26.5	23.8	20.6	17.5	14.0	10.3	6.8	2.8
LKS-1102SE	1.1	1.5		45.0	43.7	42.0	39.6	36.5	32.5	28.0	22.7	17.1	11.0	5.0
LKS-1102SE-1	1.1	1.5		45.0	43.7	42.0	39.6	36.5	32.5	28.0	22.7	17.1	11.0	5.0



Dimension

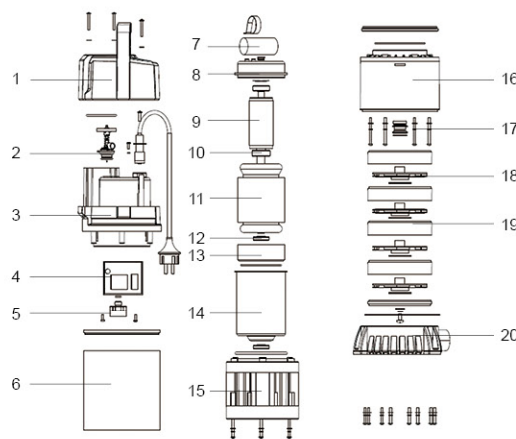
MODEL	DN	L (mm)	W (mm)	H (mm)
LKS-902SE	25	Φ163	Φ163	469
LKS-902SE-1		168	187	492
LKS-1102SE		Φ163	Φ163	493
LKS-1102SE-1		168	187	486

Hydraulic Performance Curves



Materials Table

No.	Part	Material	No.	Part	Material
1	Handle	PP-GF30	12	Framework Seal	
2	Check Valve		13	Bearing Chamber	ZL102
3	Head Cover	PP-GF30	14	Stator housing	Q235
4	Electric Device		15	Support	PP-GF30
5	Pressure Sensor		16	Guide vane	PP-GF30
6	Cylinder	AISI304	17	Mechanical Seal	
7	Capactor		18	Impeller	PPO-GF30
8	Upper Cover	ZL102	19	Diffuser	PPO-GF30
9	Rotor		20	Base	PP-GF30
10	Bearing				
11	Stator				



Package Information

Model	GW (Kgs)	L (mm)	W (mm)	H (mm)	Quantity (PCS/20' TEU)
LKS-902SE	10.3	260	215	540	928
LKS-902SE-1	10.3	260	215	540	928
LKS-1102SE	11.6	260	215	565	880
LKS-1102SE-1	11.6	260	215	565	880

