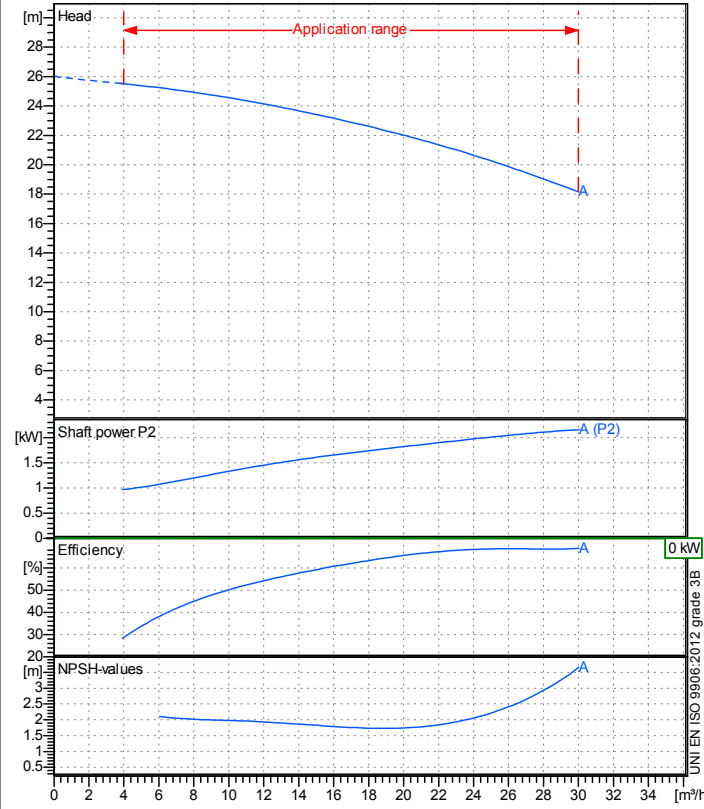


Company name
 Respons. Department
 Person in charge
 Phone number
 Fax no
 E-mail address

Receiver	From



Operating data specification

Nominal flow	m³/h 0
Nominal head	m 0
Static head	m 0
NPSH - v value of plant	m 0
Inlet pressure	kPa 9.793
Fluid	Water, pure
Operating temperature t A	°C 20
Density at t A	kg/m³ 998.3
Kin. viscosity at t A	mm²/s 1.005

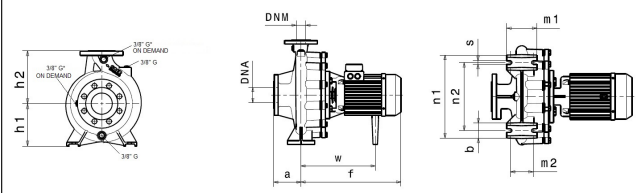
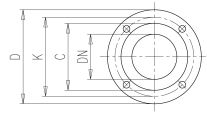
Pump	
Pump name	IR32-125SA
Size	50/32/125
MEI (Reg. 547/2002 EU) >	0,7
Speed rpm	2900
No of stages	1
Impeller type	Radial impeller
Flow	Nominal m³/h
	Max- m³/h 30
	Min- m³/h 4
Head	Nominal m
	Max- m 25.5
	Min- m 18.2
Head H(Q=0)	m 26
NPSH 3%	m
Max. working pressure	kPa 255
Shaft power	kW
Efficiency	%
Max absorbed power	kW 2.1575

Materials Pump

Shaft	Stainless steel AISI 431 (1.4057)
Impeller	Cast iron EN-GJL-250
Pump body	Cast iron EN-GJL-250
Seal disc	Cast iron EN-GJL-250
Gasket	Natural fiber
Mechanical seal	BVEG (Grafito/Ossido Allumina/EPDM)

Dimensions in mm

a	80	DNM	DNA		
b	50	C	78	C	102
f	371.5	D	140	D	165
h1	112	DN	32	DN	50
h2	140	K	100	K	125
m1	100	n°	4 x 19 mm	n°	4 x 19 mm
m2	70				
n1	190				
n2	140				
s	14				
w	272.5				



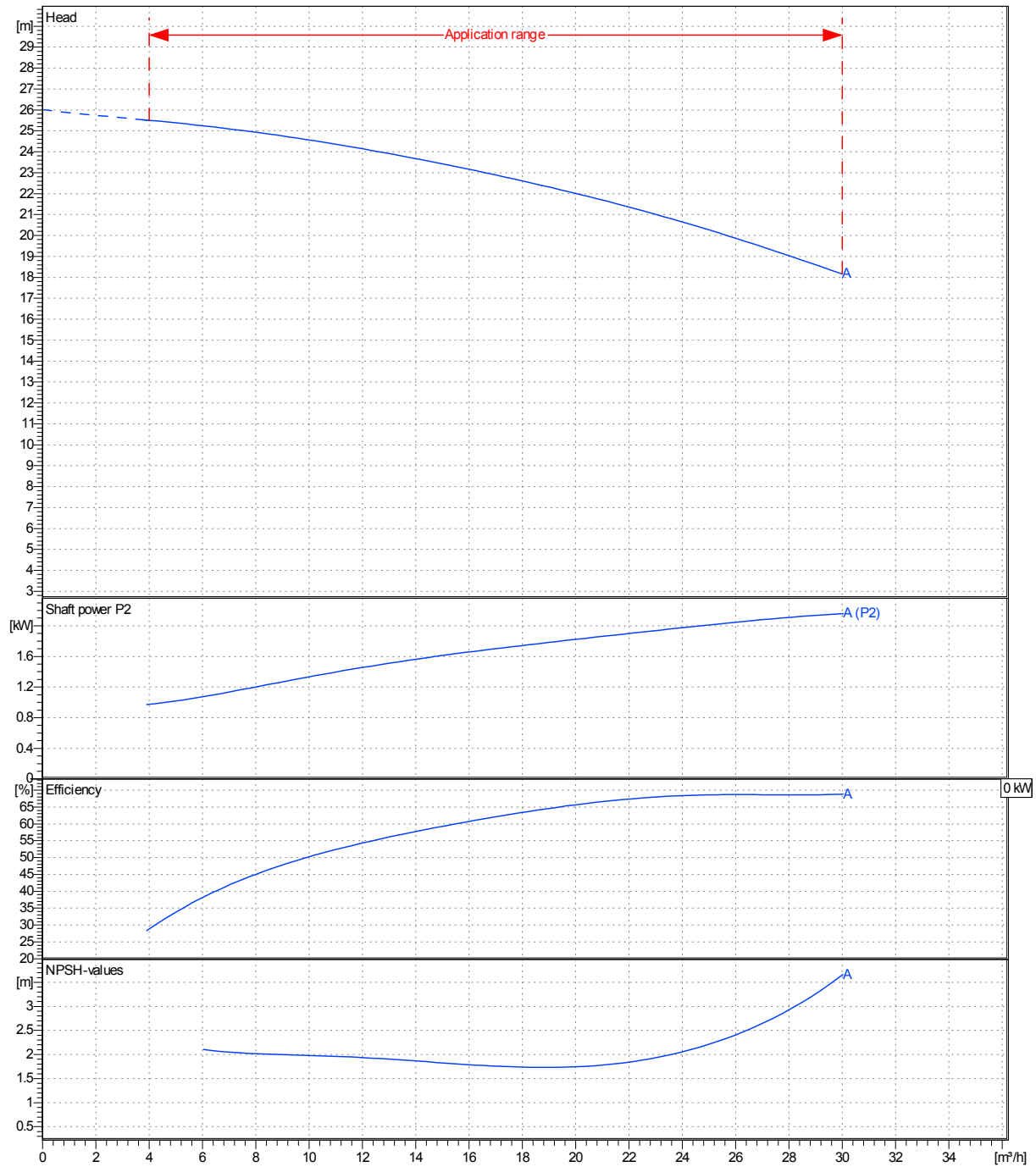
Motor		Manufacturer / Type		SAER 90-2P-3	
Efficiency	IEC 60034-30	IE2		Efficiency 4/4	83.2 %
Rated power	kW 2.2	Efficiency 4/4		83.2 %	
Number of poles	2	Frame size		90	
Electric current	A 4.9 A	Speed		rpm 2850	
Electric voltage	V 400 V	3~	Hz	50	
Starting mode	Star-delta				
Degree of protection	IP 55	Insulation class		F	

Remarks:				
Project	Project ID	Created by	Created on	Last update
			8/6/2019	

Receiver	From
Company name	
Respons. Department	
Person in charge	
Phone number	
Fax no	
E-mail address	

Operating area	Flow	Head	Impeller type	Radial impeller
Operating data specification	0 m ³ /h	0 m	Impeller construction	Closed
Pump data	m ³ /h	m	Sense of rotation	Clockwise from the drive end
			Outlet width	DN32
	Flow		Speed	
	Min.	Max.	rpm	
	Max.	η _{Max.}	2900	
	H(Q=0)	η _{Max.}	Frequency	
	P2(Q=0)	Max.	Hz	
	Max.	η _{Max.}	50 Hz	
	m ³ /h	m ³ /h		
	4	30		
	m	m		
	26	18.1		
	kW	kW		
	2.16	2.16		

Performance data based to: Water, pure [100%] ; 20°C; 998kg/m³; 1mm²/s UNI EN ISO 9906:2012 - Grade 3B



Project	Project ID	Created by	Created on	Last update
			8/6/2019	

Revision no

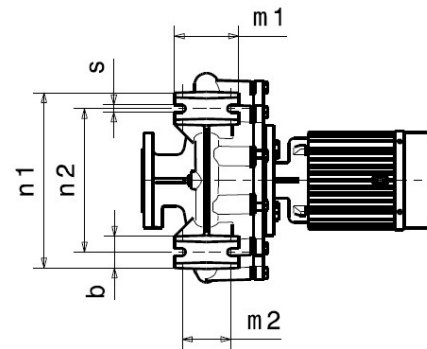
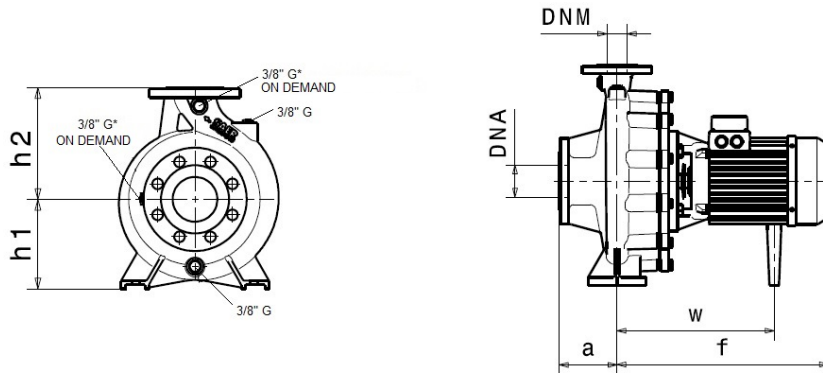
Pump dimensions

Connections

Suction side	Discharge port
DN50	DN32
PN10 /	PN10 /

Dimensions in mm

a	80
b	50
f	371.5
h1	112
h2	140
m1	100
m2	70
n1	190
n2	140
s	14
w	272.5



Disegni dimensionali e immagini non vincolanti. Saer si riserva il diritto di effettuare cambiamenti senza alcun preavviso. Dimensional drawing and picture are not binding. Saer reserves the right to make changes without prior notice.

Project

Project ID

Created by

Created on
8/6/2019

Last update