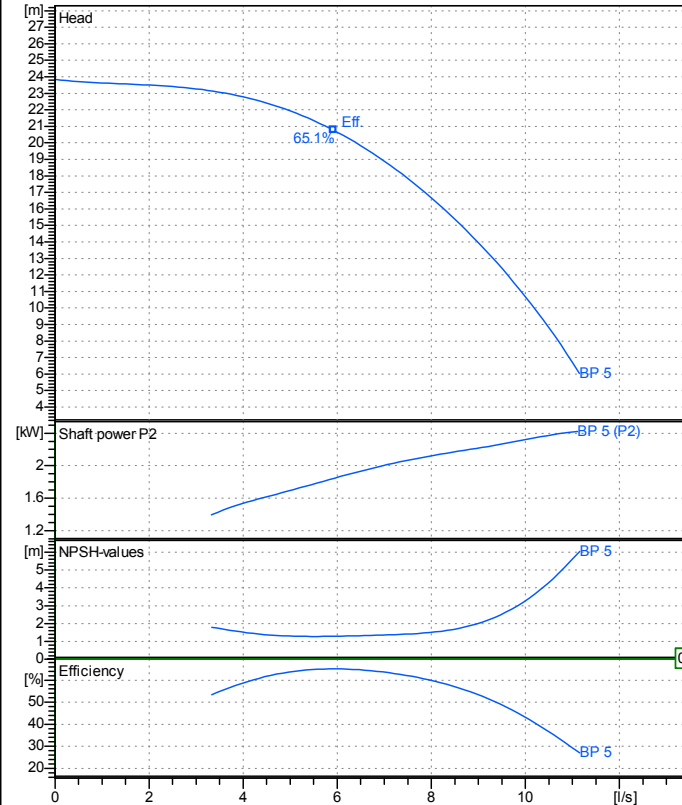


Receiver

From

 Company name
 Respons. Department
 Person in charge
 Phone number
 Fax no
 E-mail address


Operating data specification

Nominal flow	l/s 0
Nominal head	m 0
Static head	m 0
NPSH - v value of plant	m 0
Inlet pressure	kPa 9.793
Fluid	Water, pure
Operating temperature t A	°C 20
Density at t A	kg/m³ 998.3
Kin. viscosity at t A	mm²/s 1.005

Pump

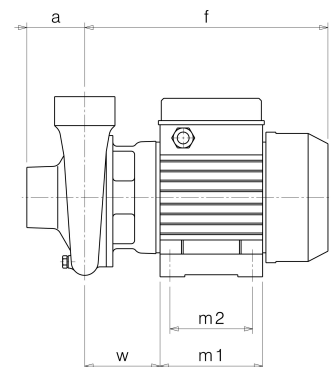
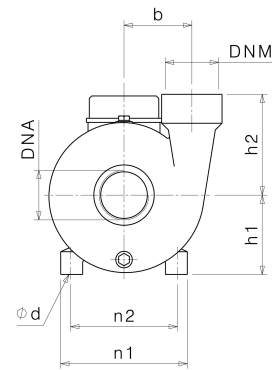
Pump name		BP 5	
Size			
Design			
Speed	rpm 2850	No of stages	1
Impeller type			
Flow	Nominal	l/s	
	Max-	l/s 11.2	
	Min-	l/s 0	
Head	Nominal	m	
	Max-	m 23.8	
	Min-	m 6.03	
Head H(Q=0)		m 23.8	
NPSH 3%		m	
Max. working pressure		kPa 233	
Shaft power		kW	
Efficiency		%	
Max absorbed power		kW 2.4197	

Materials Pump

Shaft	Stainless steel AISI 420 (1.4028)
Impeller	Carbon steel G20Mn5 (1.6620)
Pump body	Cast iron EN-GJL-200
Support	Cast iron EN-GJL-200
OR	NBR Rubber
Mechanical seal	BXPG (Gra/Cer/NBR)

Dimensions in mm

a	70
DNA	G 2"
DNM	G 2"
f	294
h1	96
h2	122
m1	124
m2	100
n1	152
n2	125
ød	9
w	88



Motor	Frame size	90 S		
Manufacturer / Type	SAER 90 S 2 - 1,5 1~			
Rated power	kW 1.5	Efficiency 4/4	- %	
Electric current	A 11.5 A	Speed	rpm 2950	
Electric voltage	V 230 V	1~	Hz 50	
Starting mode	Unknown			
Degree of protection	IP 44	Insulation class	F	

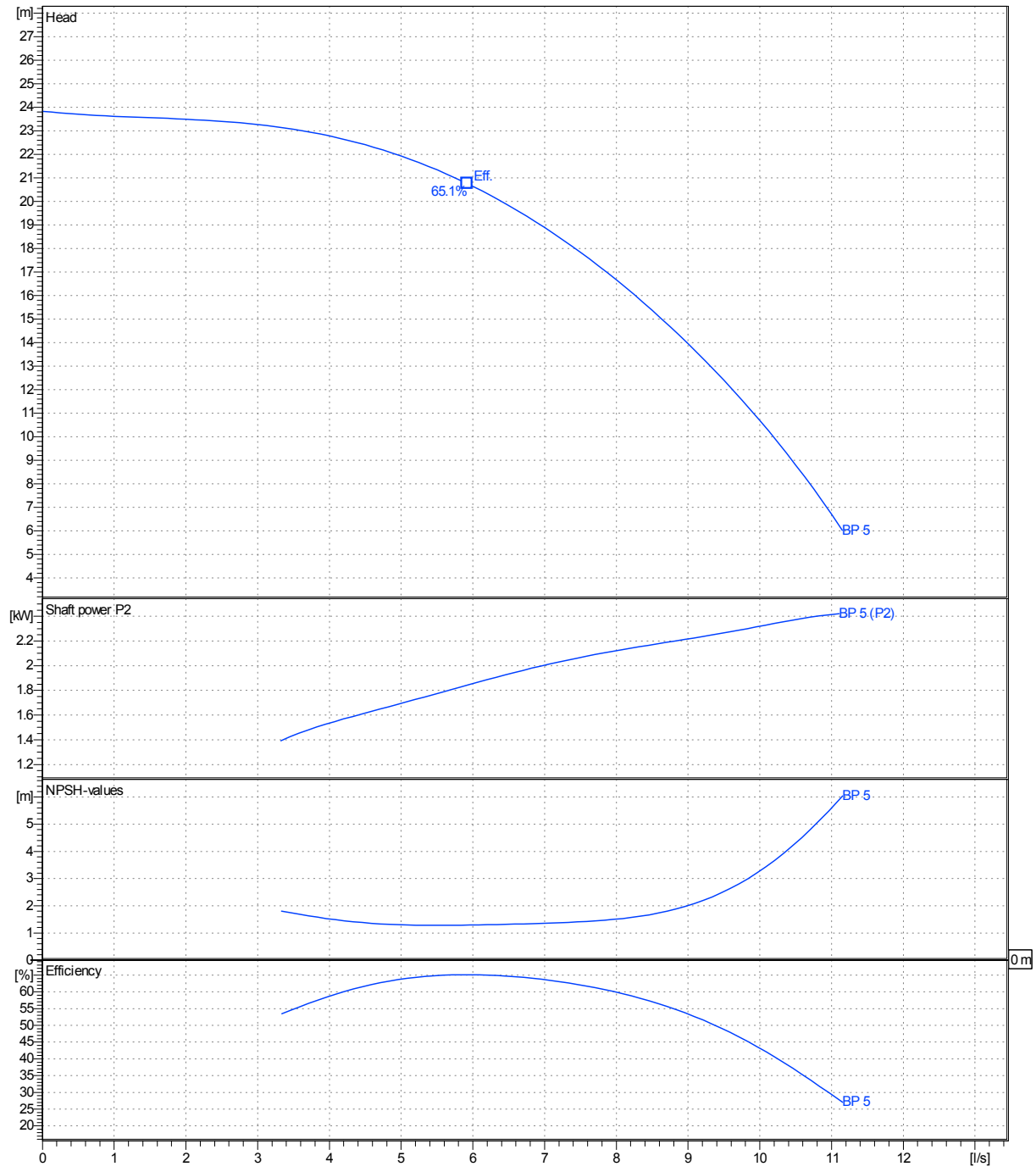
Remarks:

Project	Project ID	Created by	Created on 8/22/2019	Last update
---------	------------	------------	-------------------------	-------------

Receiver	From
Company name	
Respons. Department	
Person in charge	
Phone number	
Fax no	
E-mail address	

Operating area	Flow	Head	Impeller type
Operating data specification	0 l/s	0 m	Impeller construction
Pump data	l/s	m	Sense of rotation
			Outlet width
			G2"
			Speed
			rpm 2850
			Frequency
			Hz 50 Hz

Performance data based to: Water, pure [100%]; 20°C; 998kg/m³; 1mm²/s UNI EN ISO 9906:2012 - Grade 3B



Project	Project ID	Created by	Created on 8/22/2019	Last update
---------	------------	------------	--------------------------------	-------------