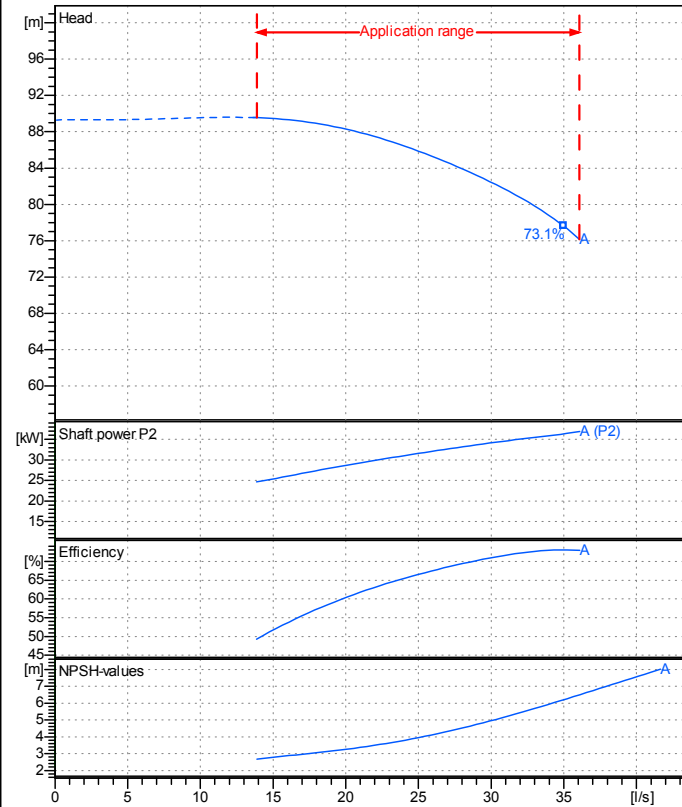


Receiver

From

 Company name
 Respons. Department
 Person in charge
 Phone number
 Fax no
 E-mail address

Operating data specification

Nominal flow	l/s	0
Nominal head	m	0
Static head	m	0
NPSH - v value of plant	m	0
Inlet pressure	kPa	9.793
Fluid	Water, pure	
Operating temperature t A	°C	20
Density at t A	kg/m ³	998.3
Kin. viscosity at t A	mm ² /s	1.005

Pump

Pump name		NCB 65-250 N A	
Size		80/65/250	
Design			
Speed	rpm	2900	No of stages
Impeller type			
Flow	Nominal	l/s	
	Max-	l/s 36.1	
	Min-	l/s 13.9	
Head	Nominal	m	
	Max-	m 89.5	
	Min-	m 76.1	
Head H(Q=0)		m 89.3	
NPSH 3%		m	
Max. working pressure		kPa 875	
Shaft power		kW	
Efficiency		%	
Max absorbed power		kW 36.909	

Materials Pump

Shaft	Stainless steel AISI 431 (1.4057)
Impeller	Cast iron EN-GJL-250
Pump body	Cast iron EN-GJL-250
Seal disc	Cast iron EN-GJL-250
Gasket	Natural fiber

Mech. seal EN 12756

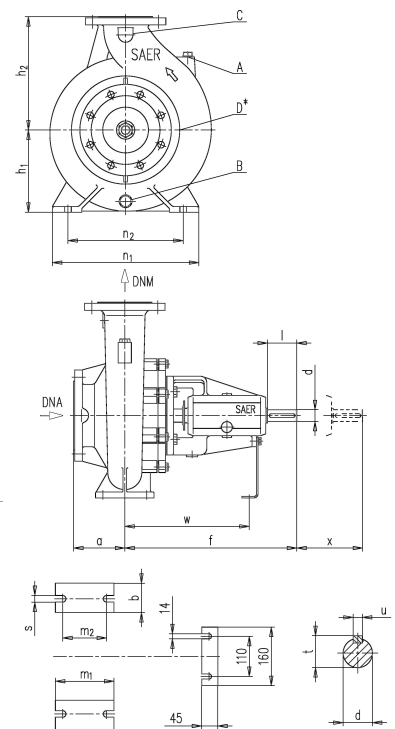
Seal face	Carbon graphite resin impreg.
Seat	Alumina Oxide
Rubber elements	EPDM Rubber
Spring and metal bellows	Stainless steel AISI 316

Motor		Frame size	
Manufacturer / Type			
Rated power	kW	Efficiency 4/4	
Electric current	A	Speed	rpm
Electric voltage	V	Hz	
Starting mode			
Degree of protection		Insulation class	

Remarks:

Dimensions in mm

a	100	n2	280
A	3/8"	s	18
b	80	t	35.3
B	3/8"	u	10
C	1/4"	w	340
D	3/8"	x	140
d k6	32		
DNA	DN 80		
DNM	DN 65		
f	470		
h1	200		
h2	250		
l	80		
m1	160		
m2	120		
n1	460		

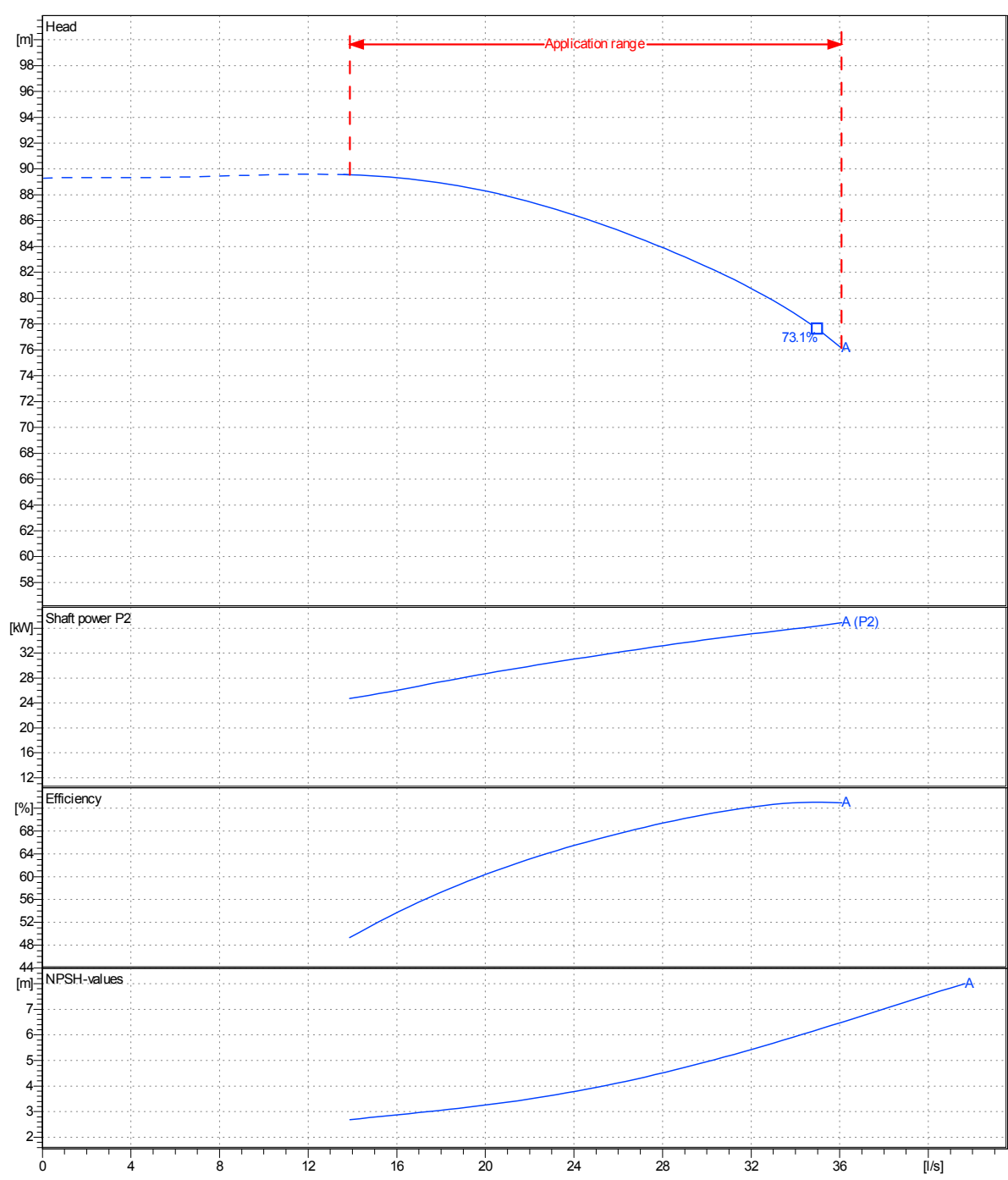


C	122	C	138
D	185	D	200
DN	65	DN	80
K	145	K	160
n°	4	n°	4
ø n	19	ø n	19

Receiver	From

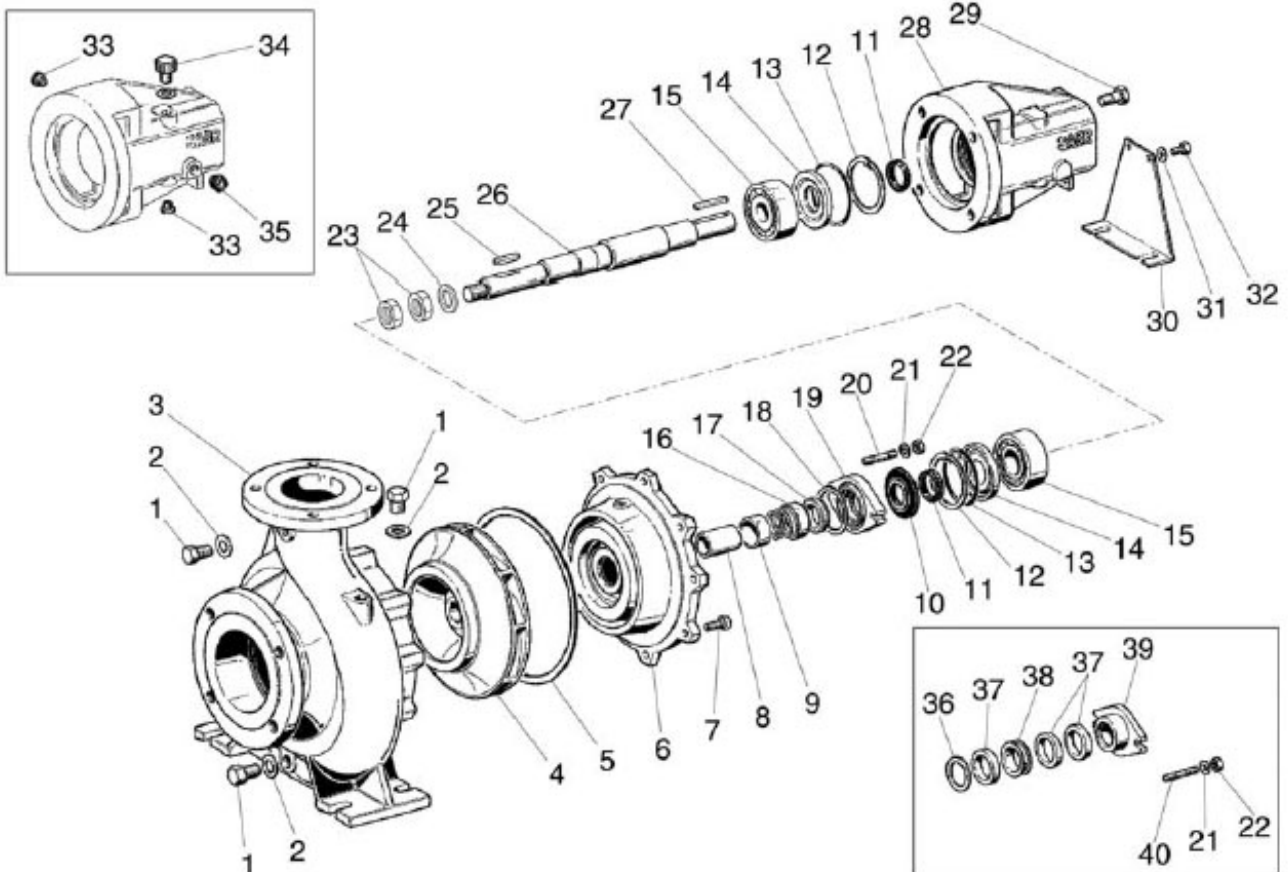
Company name			
Respons. Department			
Person in charge			
Phone number			
Fax no			
E-mail address			

Performance data based to: Water, pure [100%]; 20°C; 998kg/m³; 1mm²/s UNI EN ISO 9906:2012 - Grade 3B



Project	Project ID	Created by	Created on	Last update
			11/21/2019	

Company name
Respons. Department
Person in charge
Phone number
Fax no
E-mail address



Project	Project ID	Created by	Created on 11/21/2019	Last update
---------	------------	------------	---------------------------------	-------------