

Receiver

From

Society
Reference
Address
Phone
Fax
E-mail

Item n° :

60150991

Model :

EVOPLUS B 120/360.80 M

Pump data

Pressure rating : 1,6 MPa
Min. fluid temperature : -10 °C
Max. fluid temperature : 110 °C
EEI : ≤ 0,20

Minimum suction head :

Temperature °C 90 100
Minimum suction head : m 20 25

Requested data

Flow :
Head :
Fluid (%) :
Fluid Temperature : 20 °C
Density : 998,3 kg/m³
Kinematic viscosity : 1,005 mm²/s
Vapor pressure :

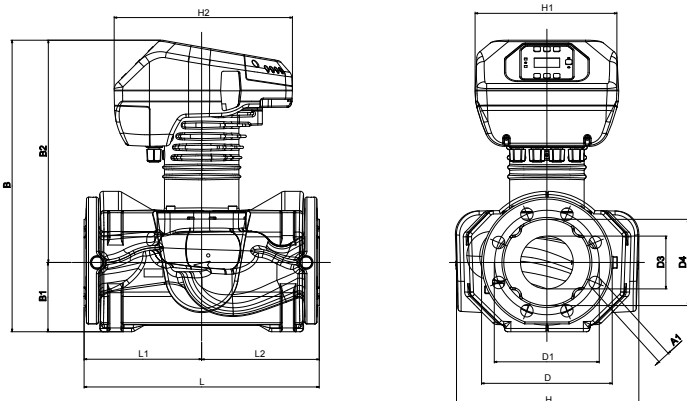
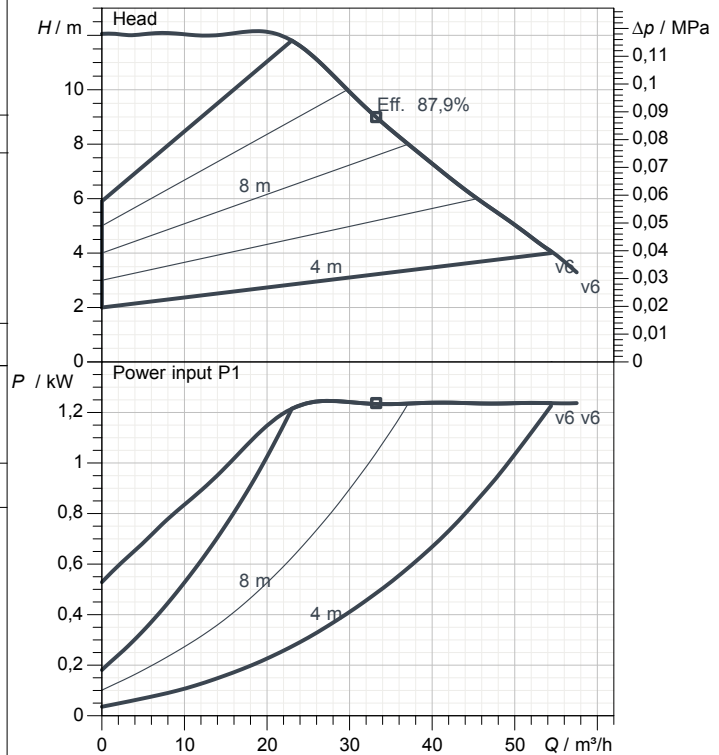
Hydraulic data (duty point)

Flow :
Head :

Materials

Pump body Cast iron 250 UNI ISO 185 - CTF
Impeller Technopolymer
Motor shaft Stainless steel
Seal ring EPDM
Motor casing Die cast aluminium
Closing flange Stainless steel
Thrust ring support Stainless steel

Curve tolerance according to ISO 9906



Motor data

Motor brand : DAB
Power input P1 : 1,235 kW
Rated voltage : 1~ 220-240 V 50 Hz
Nominal current : 5,5 A
Degree of protection : IP 44

Dimensions in mm

A1	19	D3	132	L1	180		
B	446	D4	80	L2	180		
B1	106	H	279				
B2	340	H1	220				
D	200	H2	273				
D1	160	L	360				

Weight : 32,2 kg

Pump connection

Suction side : DN 80 / PN 6
Discharge side : DN 80 / PN 6



PERFORMANCE CURVES

DAB PUMPS S.p.A.
Via Marco Polo, 14 - 35035 Mestrino (PD), Italy
Tel. +39 049 5125000 - Fax +39 049 5125950
www.dabpumps.com

2019-10-1C

Page 2 / 3

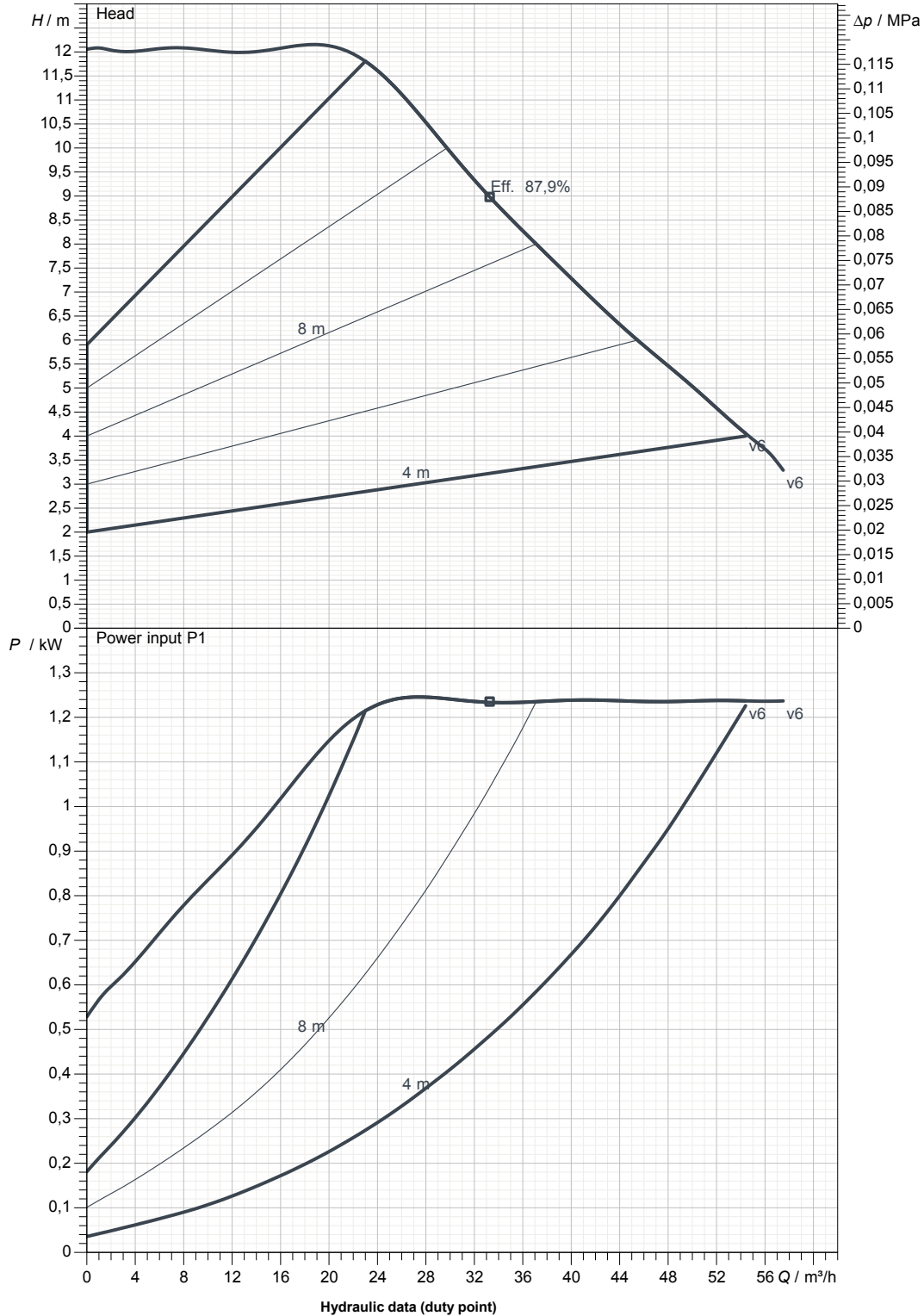
Receiver

From

Society
Reference
Address
Phone
Fax
E-mail

EVOPLUS B 120/360.80 M

Curve tolerance according to ISO 9906



Suction side :
DN 80
PN 6

Discharge side :
DN 80
PN 6

Flow :

Head :

Rated speed :
2900 1/min

MAIN_PROJECT_TITLE

BUSINESS_PROCESS_IC

OWNER_

ISSUE_DATE



DIMENSIONAL DRAWING

2019-10-10

Page 3 / 3

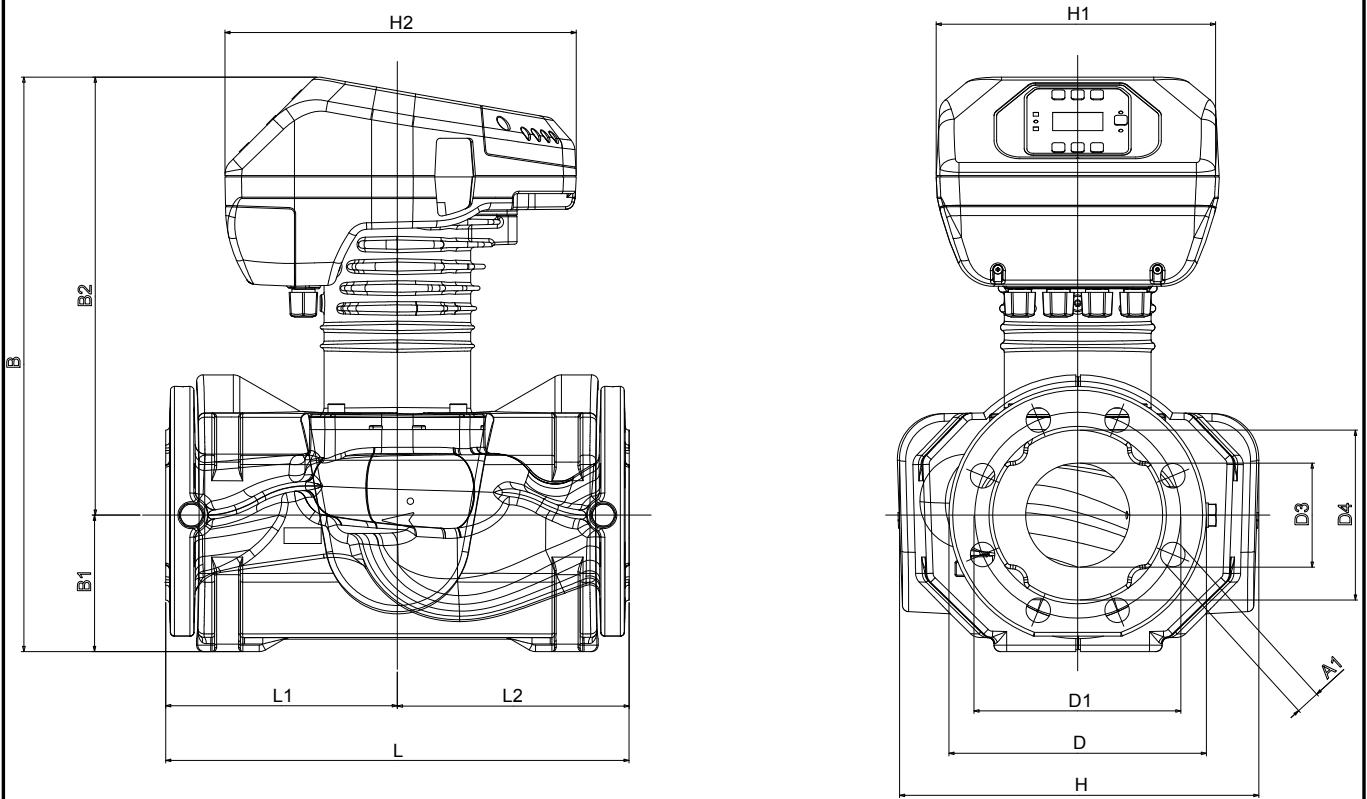
DAB PUMPS S.p.A.
Via Marco Polo, 14 - 35035 Mestrino (PD), Italy
Tel. +39 049 5125000 - Fax +39 049 5125950
www.dabpumps.com

Receiver

From

Society
Reference
Address
Phone
Fax
E-mail

EVOPLUS B 120/360.80 M



Dimensions in mm					Pump connection	
1	A1	19	L1	180	Suction	DN 80 PN 6
2	B	446	L2	180		
3	B1	106			Discharge DN 80 PN 6	
4	B2	340				
5	D	200				
6	D1	160				
7	D3	132				
8	D4	80				
9	H	279				
10	H1	220				
11	H2	273				
12	L	360				

MAIN_PROJECT_TITLE	BUSINESS_PROCESS_ID	OWNER	ISSUE_DATE
--------------------	---------------------	-------	------------