

Receiver

From

Society
Reference
Address
Phone
Fax
E-mail

Item n° :

101110280

Model :

KP 60/6 M

Pump data

Impeller size

Pressure rating : 12 bar (1200 kPa)

Min. fluid temperature : -10 °C

Max. fluid temperature : 80 °C

Max. Ambient temperature : 40 °C

Requested data

Flow :

Head :

Fluid : Water

Fluid Temperature : 20 °C

Density : 998,3 kg/m³

Kinematic viscosity : 1,005 mm²/s

Vapor pressure :

Hydraulic data (duty point)

Flow :

Head :

Materials

Pump body Brass P Cu Zn40 Pb2 UNI 5705/65

Impeller Brass P Cu Zn40 Pb2 UNI 5705/65

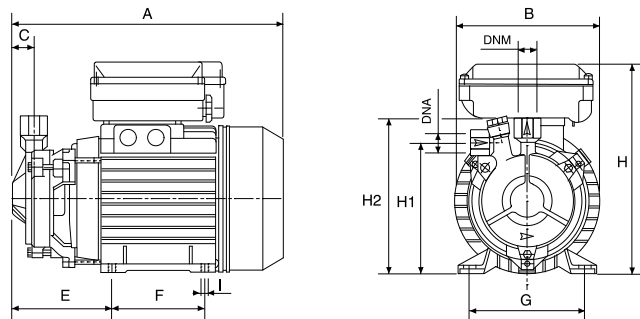
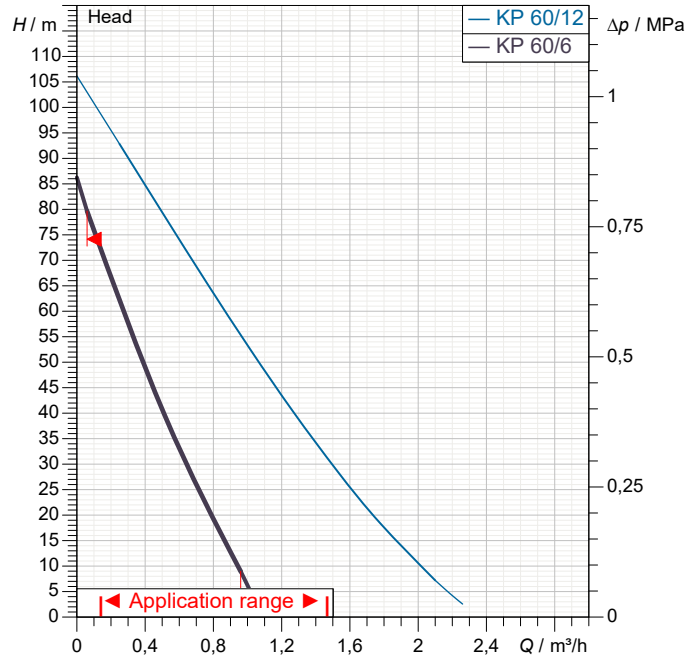
Motor shaft AISI 416 X12 CrS 13 UNI 6900/71

OR ring Viton

Mechanical seal Carbon/Ceramic

Support Brass P Cu Zn40 Pb2 UNI 5705/65

Curve tolerance according to ISO 9906



Weight : 7,9 kg

Motor data

Motor brand : DAB
Nominal power P2 : 0,37 kW
Rated speed : 2.800 1/min
Rated voltage : 1~ 220-240 V 50 Hz
Nominal current : 2,4 A
Degree of protection : IP 55

Dimensions in mm

A	262
B	142
C	21
DNA	1/2" G
DNM	1/2" G
E	96
F	90
G	112
H	204
H1	127
H2	151
I Ø	7

Pump connection

Suction side : 1/2 " G / 12 bar (1200 kPa)

Discharge side : 1/2 " G / 12 bar (1200 kPa)

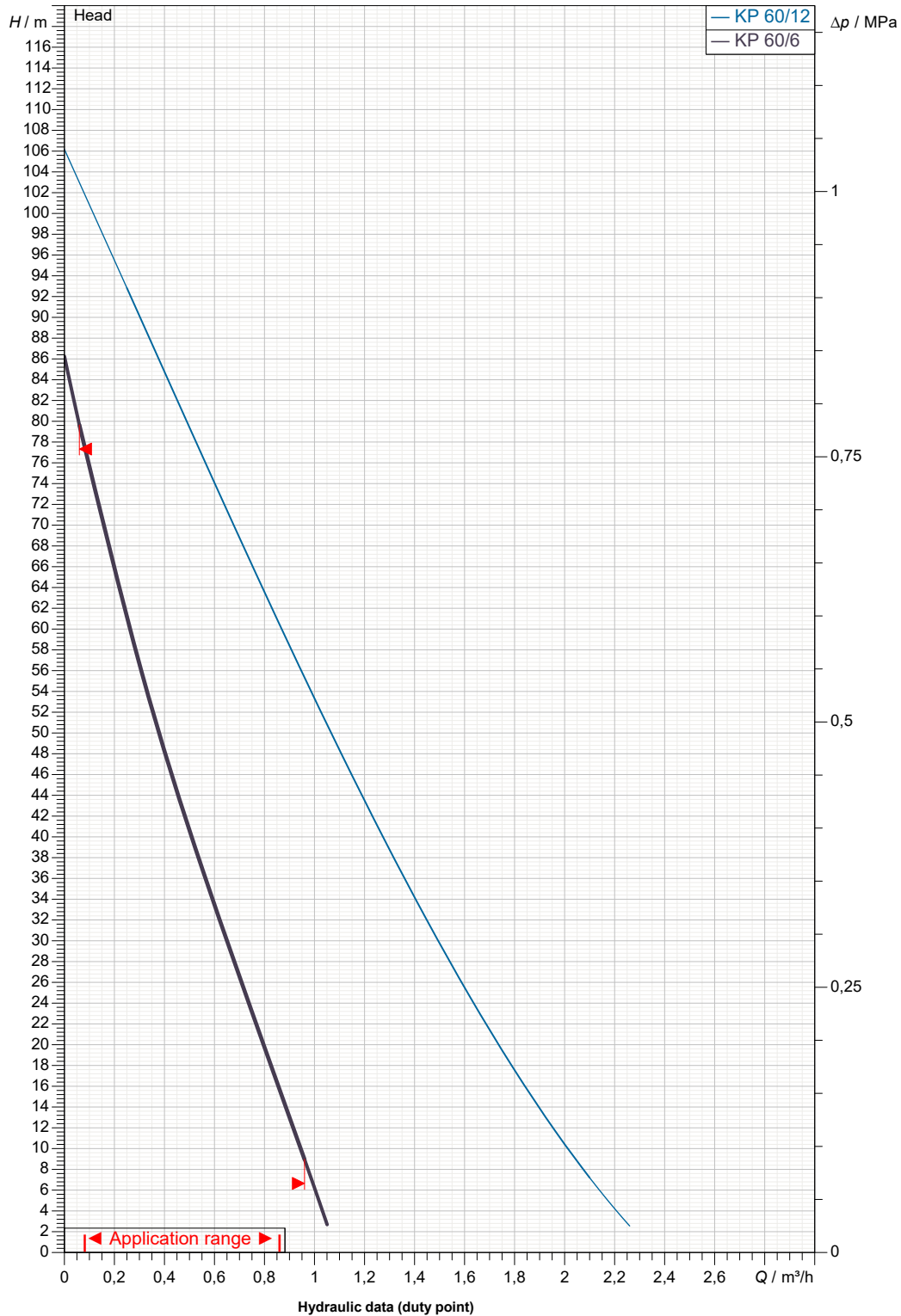
Receiver

From

Society
Reference
Address
Phone
Fax
E-mail

KP 60/6 M

Curve tolerance according to ISO 9906



Suction side :
1/2 " G
12 bar (1200 kPa)

Discharge side :
1/2 " G
12 bar (1200 kPa)

Flow :

Head :

Rated speed :
2.800 1/min

MAIN_PROJECT_TITLE

BUSINESS_PROCESS_ID

OWNER_

ISSUE_DATE



DIMENSIONAL DRAWING

2019-12-11

Page 3 / 3

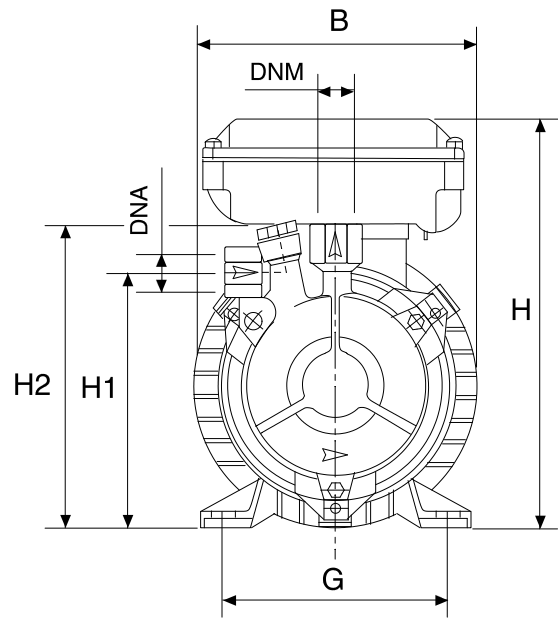
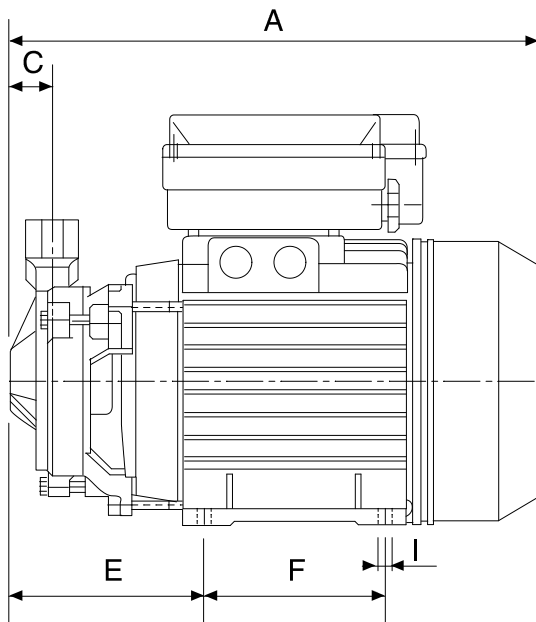
DAB PUMPS S.p.A.
Via Marco Polo, 14 - 35035 Mestrino (PD), Italy
Tel. +39 049 5125000 - Fax +39 049 5125950
www.dabpumps.com

Receiver

From

Society
Reference
Address
Phone
Fax
E-mail

KP 60/6 M



Dimensions in mm

Pump connection

1	A	262					
2	B	142					Suction
3	C	21					1/2" G
4	DNA	1/2" G					12 bar (1200 kPa)
5	DNM	1/2" G					
6	E	96					Discharge
7	F	90					1/2" G
8	G	112					12 bar (1200 kPa)
9	H	204					
10	H1	127					
11	H2	151					
12	I Ø	7					

MAIN_PROJECT_TITLE

BUSINESS_PROCESS_ID

OWNER

ISSUE_DATE