

Receiver

From

Society
Reference
Address
Phone
Fax
E-mail

Item n° :

60170078

Model :

NOVAIR 600 M-NA 10m cable

Pump data

Pressure rating :

Min. fluid temperature : 0 °C

Max. fluid temperature : 35 °C

Max. Ambient temperature :

Requested data

Flow :

Head :

Fluid : Water

Fluid Temperature : 20 °C

Density : 998,3 kg/m³

Kinematic viscosity : 1,005 mm²/s

Vapor pressure : 2,34 kPa

Hydraulic data (duty point)

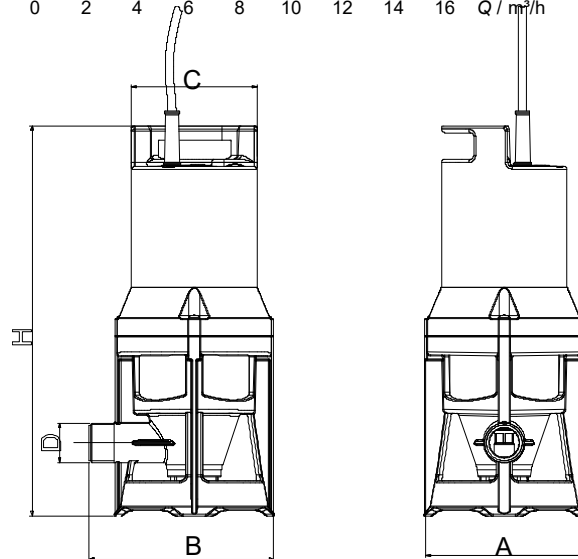
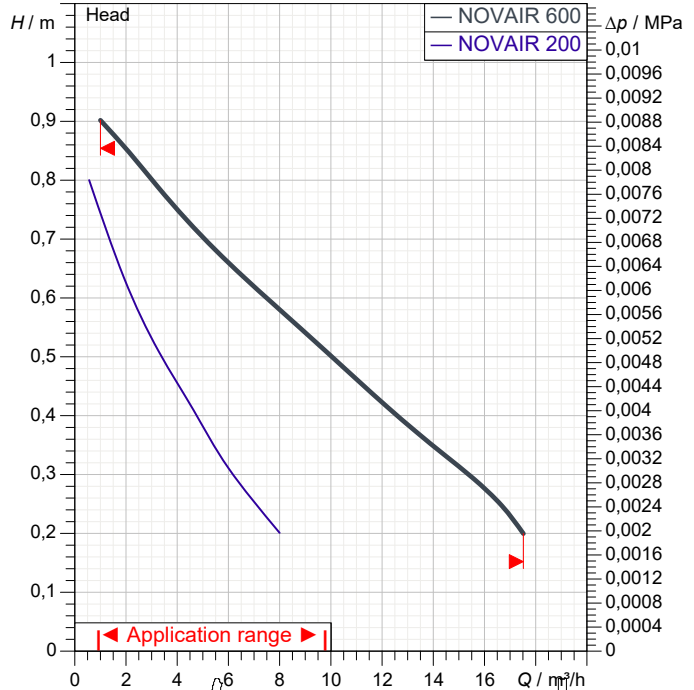
Flow :

Head :

Materials

Pump body	Technopolymer
Impeller	Technopolymer
OR ring	NBR 70
Motor shaft	AISI 416
Ceramic bushing	AISI 303 + Ceramic
Motor casing	Stainless Steel (AISI 304)
Radial seal	NBR 70

Curve tolerance according to ISO 9906



Motor data

Motor brand :	DAB	
Nominal power P2 :	0,4 kW	
Rated voltage :	1~ 220-240 V	50 Hz
Nominal current :	3 A	
Number of poles :	2	
Rated speed :	2.850 1/min	
Degree of protection :	IP 68	

Weight : 5,4 kg

Dimensions in mm

A	130,5				
B	158				
C	Ø 106				
D	1" 1/4 G				
H	380,2				

Pump connection

Suction side :	/
Discharge side :	/



PERFORMANCE CURVES

DAB PUMPS S.p.A.
Via Marco Polo, 14 - 35035 Mestrino (PD), Italy
Tel. +39 049 5125000 - Fax +39 049 5125950
www.dabpumps.com

2020-10-13

Page 2 / 3

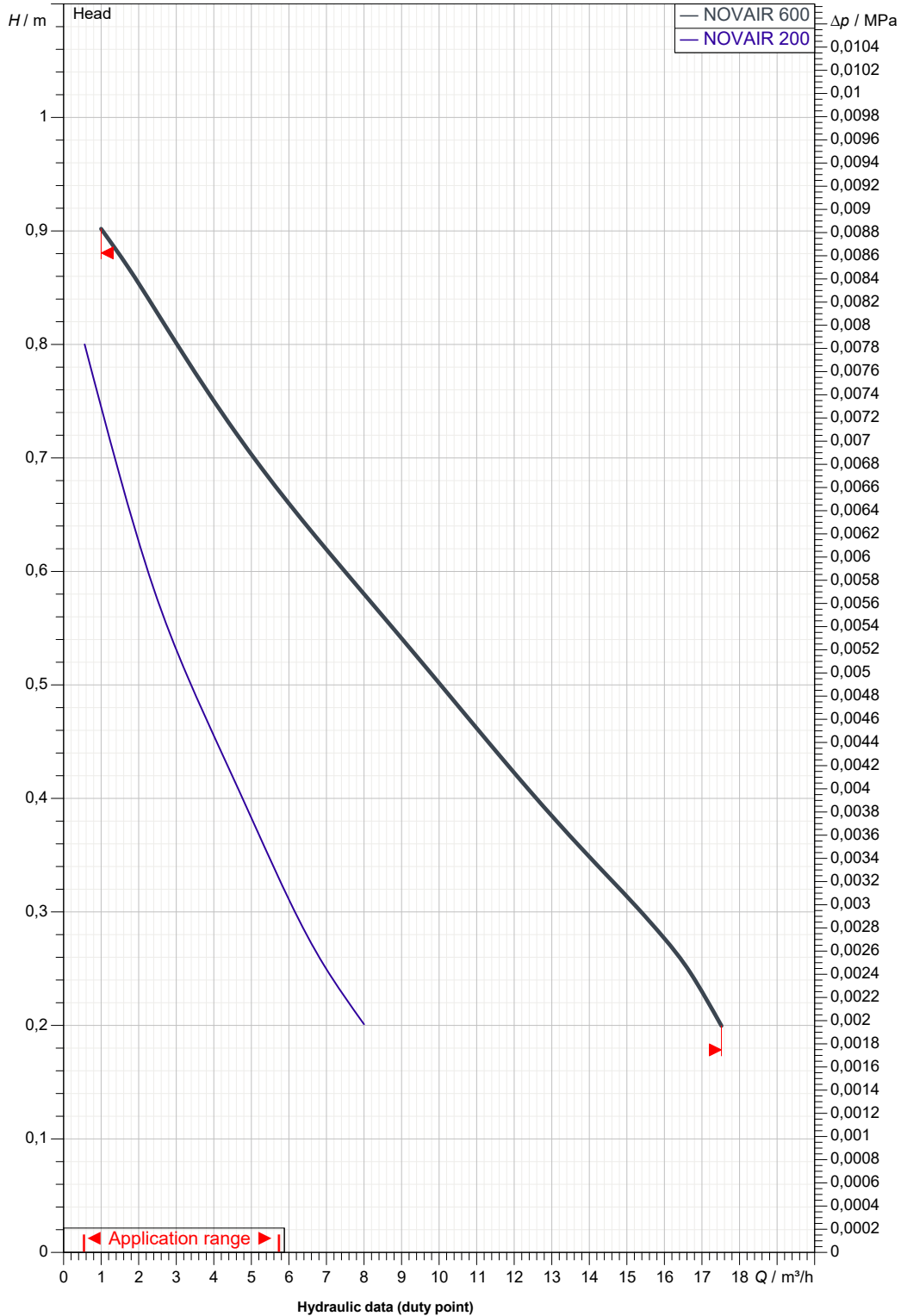
Receiver

From

Society
Reference
Address
Phone
Fax
E-mail

NOVAIR 600 M-NA 10m cable

Curve tolerance according to ISO 9906



Suction side :

Discharge side :

Flow :

Head :

Rated speed :

2.850 1/min

MAIN_PROJECT_TITLE

BUSINESS_PROCESS_ID

OWNER_

ISSUE_DATE



DIMENSIONAL DRAWING

2020-10-13

Page 3 / 3

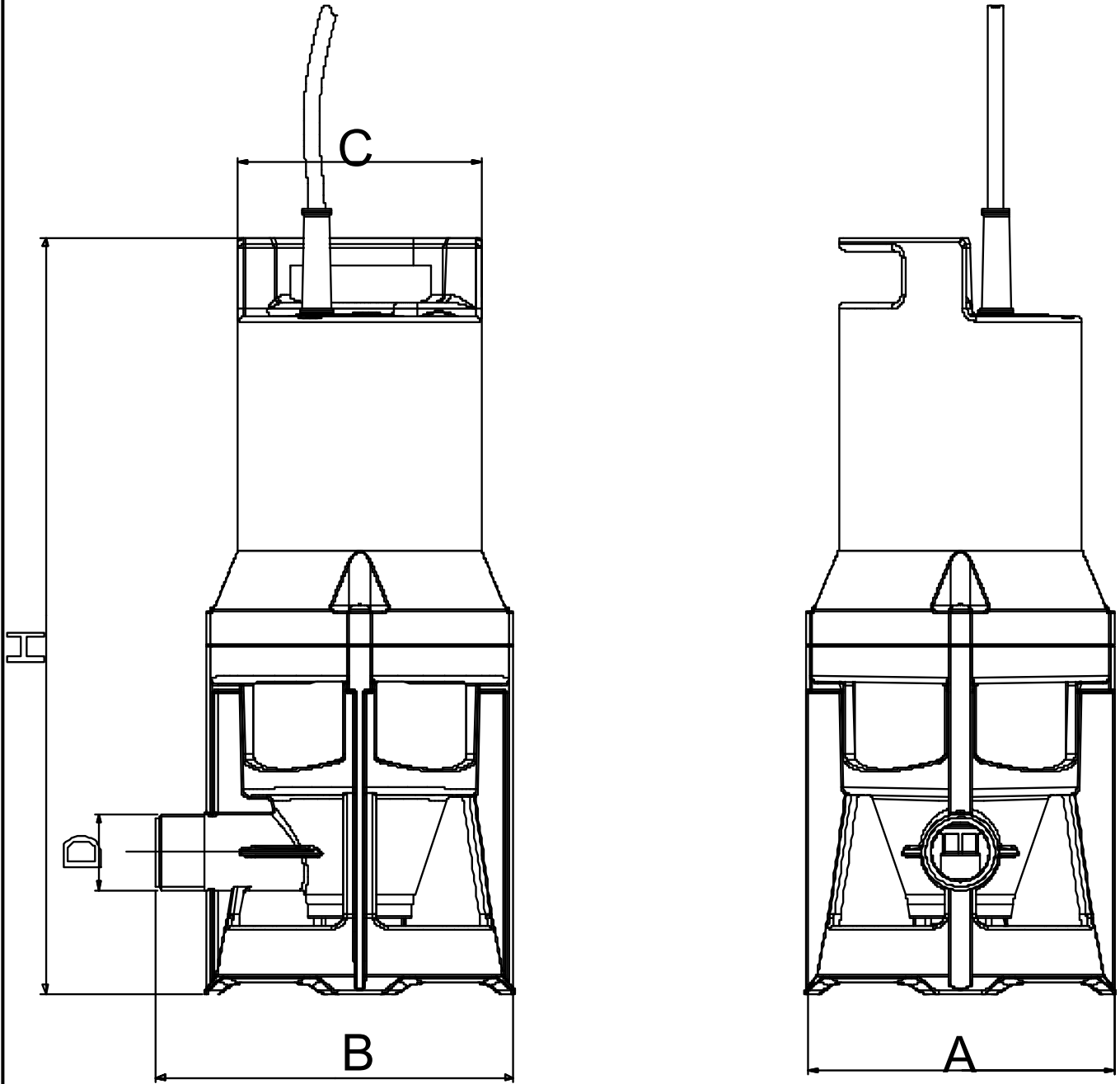
DAB PUMPS S.p.A.
Via Marco Polo, 14 - 35035 Mestrino (PD), Italy
Tel. +39 049 5125000 - Fax +39 049 5125950
www.dabpumps.com

Receiver

From

Society
Reference
Address
Phone
Fax
E-mail

NOVAIR 600 M-NA 10m cable



Dimensions in mm					Pump connection
1	A	130,5			Suction
2	B	158			
3	C	Ø 106			
4	D	1" 1/4 G			
5	H	380,2			Discharge
6					
7					
8					
9					
10					
11					
12					

MAIN_PROJECT_TITLE	BUSINESS_PROCESS_ID	OWNER_	ISSUE_DATE
--------------------	---------------------	--------	------------