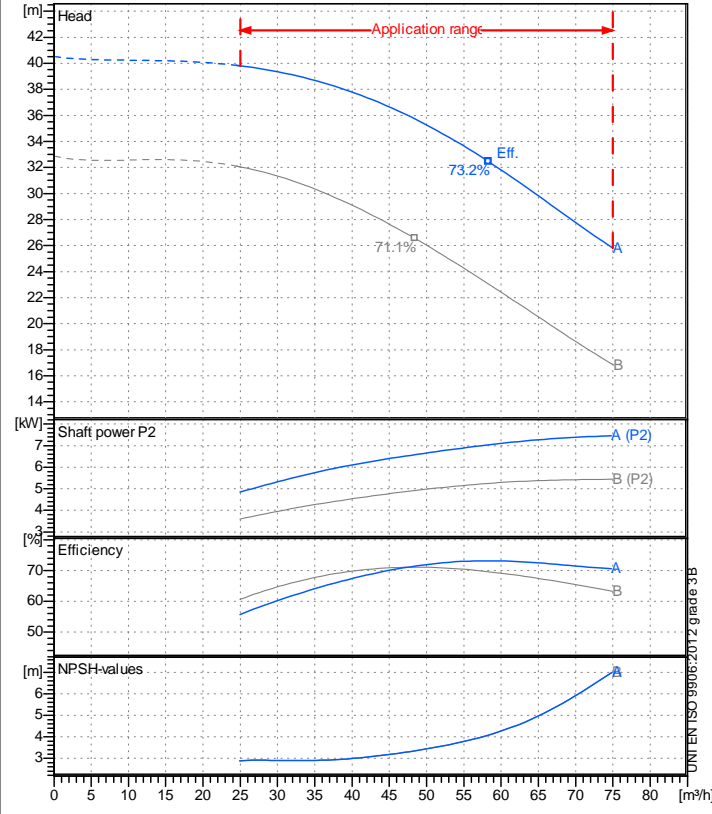


Company name  
 Respons. Department  
 Person in charge  
 Phone number  
 Fax no  
 E-mail address

Receiver	From



### Operating data specification

Nominal flow	m <sup>3</sup> /h 0
Nominal head	m 0
Static head	m 0
NPSH - v value of plant	m 0
Inlet pressure	bar 0.09793
Fluid	Water, pure
Operating temperature t A	°C 20
Density at t A	kg/dm <sup>3</sup> 0.9983
Kin. viscosity at t A	mm <sup>2</sup> /s 1.005

### Pump

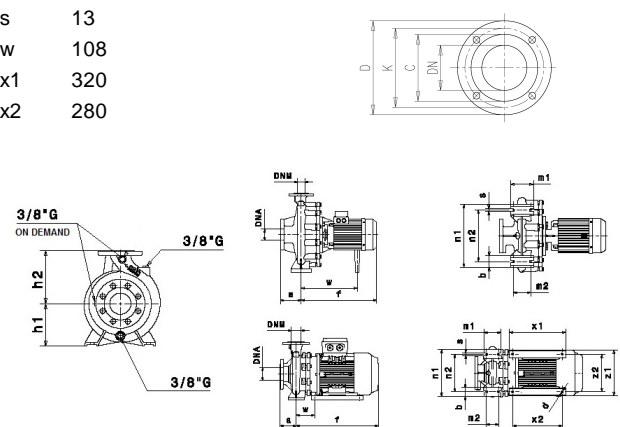
Pump name	IR50-160A		
Size	65/50/160		
MEI (Reg. 547/2002 EU) >	0,4		
Speed 1/min	2900	No of stages	1
Impeller type			
Flow	Nominal	m <sup>3</sup> /h	
	Max-	m <sup>3</sup> /h 75	
	Min-	m <sup>3</sup> /h 25	
Head	Nominal	m	
	Max-	m 39.8	
	Min-	m 25.8	
Head H(Q=0)	m	40.5	
NPSH 3%	m		
Max. working pressure	bar	3.97	
Shaft power	kW		
Efficiency	%		
Max absorbed power	kW	7.4598	

### Materials Pump

Shaft	Stainless steel AISI 431 (1.4057)		
Impeller	Cast iron EN-GJL-250		
Pump body	Cast iron EN-GJL-250		
Seal disc	Cast iron EN-GJL-250		
Gasket	Natural fiber		
Mechanical seal	BVEG (Grafito/Ossido Allumina/EPDM)		

### Dimensions in mm

a	100	z1	261	DNM	DNA		
b	50	z2	216	C	102	C	122
d	12	D	165	D	185		
f	504	DN	50	DN	65		
h1	160	K	125	K	145		
h2	180	n°	4 x 19 mm	n°	4 x 19 mm		
m1	100						
m2	71						
n1	265						
n2	212						
s	13						
w	108						
x1	320						
x2	280						



<b>Motor</b>	Manufacturer / Type	SAER	132-2P-10	
Efficiency	IEC 60034-30	IE3		
Rated power	kW 7.5	Efficiency 4/4	90.7 %	
Number of poles	2	Frame size	132	
Electric current	A 14.4 A	Speed	1/min 2949	
Electric voltage	V 400 V	3~	Hz 50	
Starting mode	Unknown			
Degree of protection	IP 55	Insulation class	F	

Remarks:

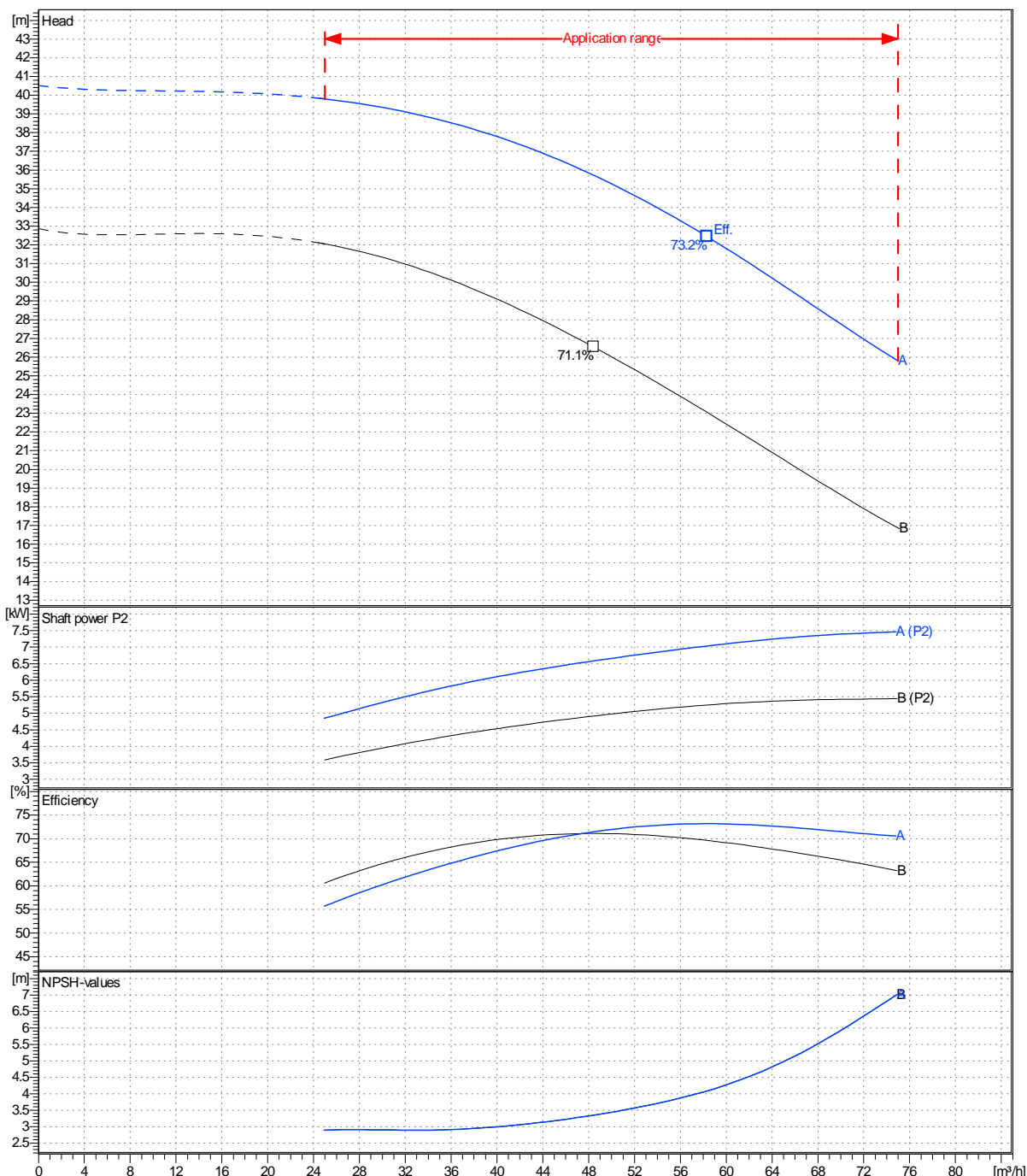
Project	Project ID	Created by	Created on	Last update
			<b>2021-08-05</b>	

<b>Receiver</b>	<b>From</b>
Company name	
Respons. Department	
Person in charge	
Phone number	
Fax no	
E-mail address	

Operating area	Flow	Head	Impeller type
Operating data specification	0 m <sup>3</sup> /h	0 m	Impeller construction Sense of rotation
Pump data	m <sup>3</sup> /h	m	Closed Clockwise from the drive end
			Outlet width DN50
	Flow	Head	Shaft power P2
	Min. Max. $\eta$ Max.	H(Q=0) $\eta$ Max.	P2(Q=0) Max. $\eta$ Max.
	m <sup>3</sup> /h m <sup>3</sup> /h m <sup>3</sup> /h	m m	kW kW kW
	25 75 58.3	40.5 32.4	7.46 7.04
			Speed 1/min 2900
			Frequency Hz 50 Hz

 Performance data based to: Water, pure [100%]; 20°C; 0.998kg/dm<sup>3</sup>; 1mm<sup>2</sup>/s

UNI EN ISO 9906:2012 - Grade 3B



Project	Project ID	Created by	Created on <b>2021-08-05</b>	Last update
---------	------------	------------	---------------------------------	-------------

Revision no

Pump dimensions

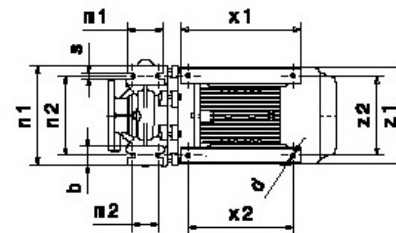
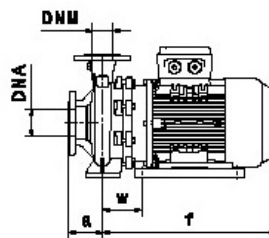
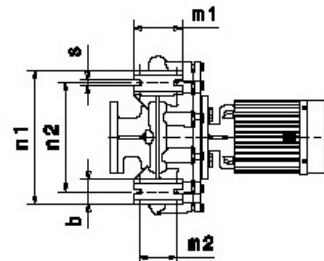
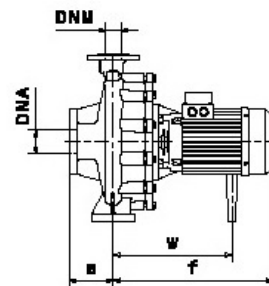
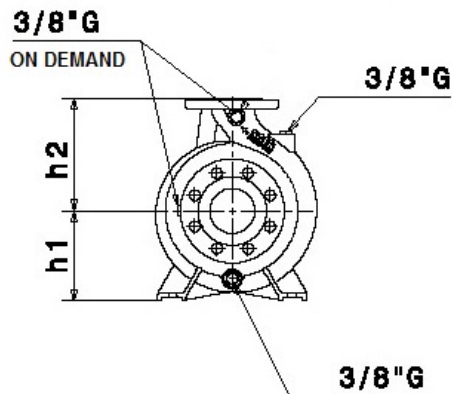
Connections

Suction side DN65 PN10 / PN16	Discharge port DN50 PN10 / PN16
-------------------------------------	---------------------------------------

Dimensions in mm

a  
b  
d  
f  
h1  
h2  
m1  
m2  
n1  
n2  
s  
w  
x1  
x2  
z1  
z2

100  
50  
12  
504  
160  
180  
100  
71  
265  
212  
212  
13  
108  
320  
280  
261  
216



Disegni dimensionali e immagini non vincolanti. Saer si riserva il diritto di effettuare cambiamenti senza alcun preavviso.  
Dimensional drawing and picture are not binding. Saer reserves the right to make changes without prior notice.

Project

Project ID

Created by

Created on  
2021-08-05

Last update