



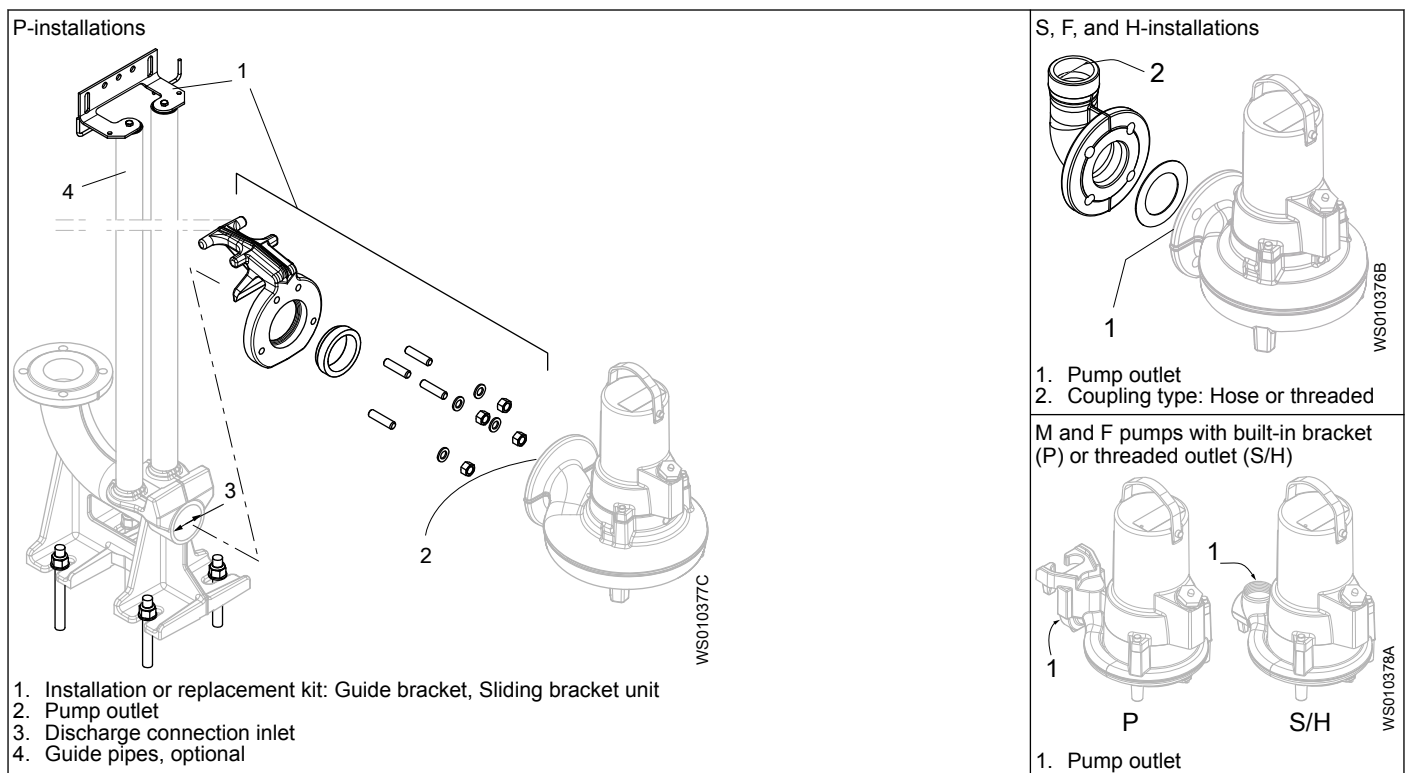
3069

Installation Kits

1 Practical Information

1.1 Definitions

The kits listed include parts of the installation equipment needed. For the parts not included in the kits, contact the sales and service representative.



Guide bracket material	Material standard
Galvanized	ASTM A 573 Gr. 65/42, A 283 Gr. D, EN 10025-2:2004
316	ASTM/AISI 316L, 316Ti, EN 10088-2/3:2005, EN 10250-4:1999

Coating

Standard coating	Primer and top coating.
Special coating	Blasted clean metal that is coated with oxirane ester. Thickness approximately 360 µm.

2 P-installation Kits

2.1 Semipermanent wet installation

P-installation

Sliding bracket kit, anchor bolts, and brackets for guide systems 3/4 in, 1 in, 2 in. The discharge connection is ordered separately.

<p>Pump outlet 50 mm (2 in), 3/4 in guide system</p> <p>1. Sliding bracket unit, not included in kit for M and F pumps 2. Discharge connection, not included in kit 3. Anchor bolt kit 4. Guide bracket</p> <p style="text-align: right;">WS009321A</p>	
<p>Pump outlet DN 65 mm (2.5 in), and DN 80 mm (3 in), 1 in guide system</p> <p>1. Sliding bracket unit 2. Discharge connection, not included in kit 3. Anchor bolt kit 4. Guide bracket</p> <p style="text-align: right;">WS009775A</p>	<p>Pump outlet DN 65 mm (2.5 in), and DN 80 mm (3 in), 2 in guide system</p> <p>1. Sliding bracket unit 2. Discharge connection, not included in kit 3. Anchor bolt kit 4. Guide bracket</p> <p style="text-align: right;">WS009325B</p>

Kit part No.		Pump outlet, DN/mm (in)	Pump hydraulic version	Guide pipe dimension	Guide bracket material	Discharge connection inlet, mm (in)
Standard coating	Special coating					
8069900	8069940	50 (2)	N, D	3/4 in	316	50 (2)
8070100	8070120	50 (2)	M	3/4 in	316	50 (2)
8071700	8071730	DN 65 (2.5)	N, D	1 in	316	65 (2.5)
8071100	8071120	DN 65 (2.5)	N, D	2 in	Galvanized	65 (2.5)
8071110	8071130	DN 65 (2.5)	N, D	2 in	316	65 (2.5)
8071140	8071150	DN 65 (2.5)	N, D	1 in	316	80 (3)
8071160	8071170	DN 65 (2.5)	N, D	2 in	316	80 (3)
8071180	8071190	DN 65 (2.5)	N, D	2 in	Galvanized	80 (3)
8072500	8072530	DN 80 (3)	N, D	1 in	316	80 (3)
8071920	8071960	DN 80 (3)	N, D	2 in	316	80 (3)
8071900	8071950	DN 80 (3)	N, D	2 in	Galvanized	80 (3)

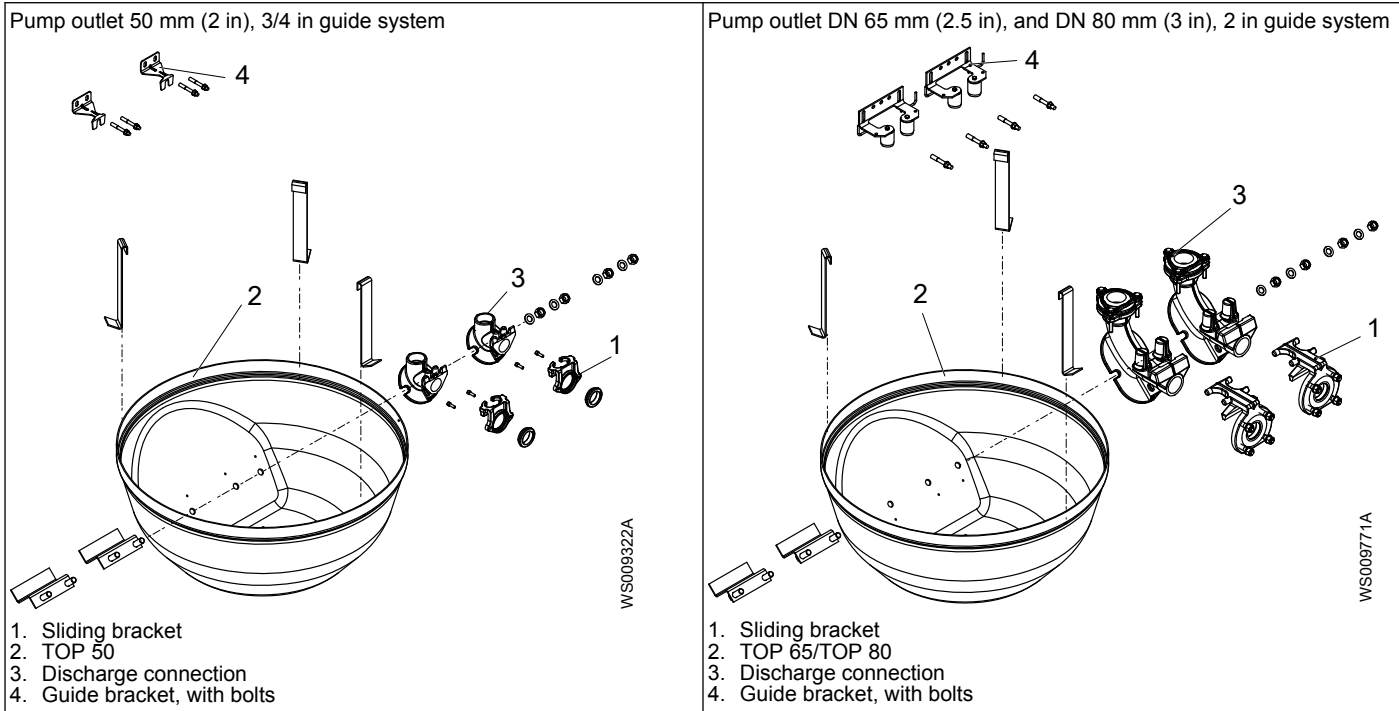
2.2 Discharge connections

The discharge connections are ordered separately.

Part no		Pump outlet, DN/mm (in)	Guide pipe dimension	Inlet, mm (in)	Outlet	Applicable to installation kit part number	
Standard coating	Special coating					Standard coating	Special coating
4865500	4865542	50 (2)	3/4 in	50 (2)	2 in ISO	8069900	8069940
						8070100	8070120
4865501	4865543	50 (2)	3/4 in	50 (2)	2–11½ NPT	8069900	8069940
						8070100	8070120
5554800	5554840	50 (2)	3/4 in	50 (2)	3 in ISO	8069900	8069940
						8070100	8070120
5554801	5554841	50 (2)	3/4 in	50 (2)	3–8 NPT	8069900	8069940
						8070100	8070120
7817902	7817942	DN 65 (2.5)	1 in	65 (2.5)	EN/ANSI	8071700	8071730
4931706	4931746	DN 65 (2.5)	2 in	65 (2.5)	EN/ANSI	8071100	8071120
						8071110	8071130
7752402	7752442	DN 65 (2.5)	1 in	80 (3)	EN/ANSI	8071140	8071150
4446807	4446847	DN 65 (2.5)	2 in	80 (3)	EN	8071160	8071170
						8071180	8071190
4446805	4446845	DN 65 (2.5)	2 in	80 (3)	ANSI	8071160	8071170
						8071180	8071190
7752402	7752442	DN 80 (3)	1 in	80 (3)	EN/ANSI	8072500	8072530
4446807	4446847	DN 80 (3)	2 in	80 (3)	EN	8071920	8071960
						8071900	8071950
4446805	4446845	DN 80 (3)	2 in	80 (3)	ANSI	8071920	8071960
						8071900	8071950

2.3 Top installation

Flygt TOP basin with two sets of sliding brackets, discharge connection and guide bracket for 2 in system.

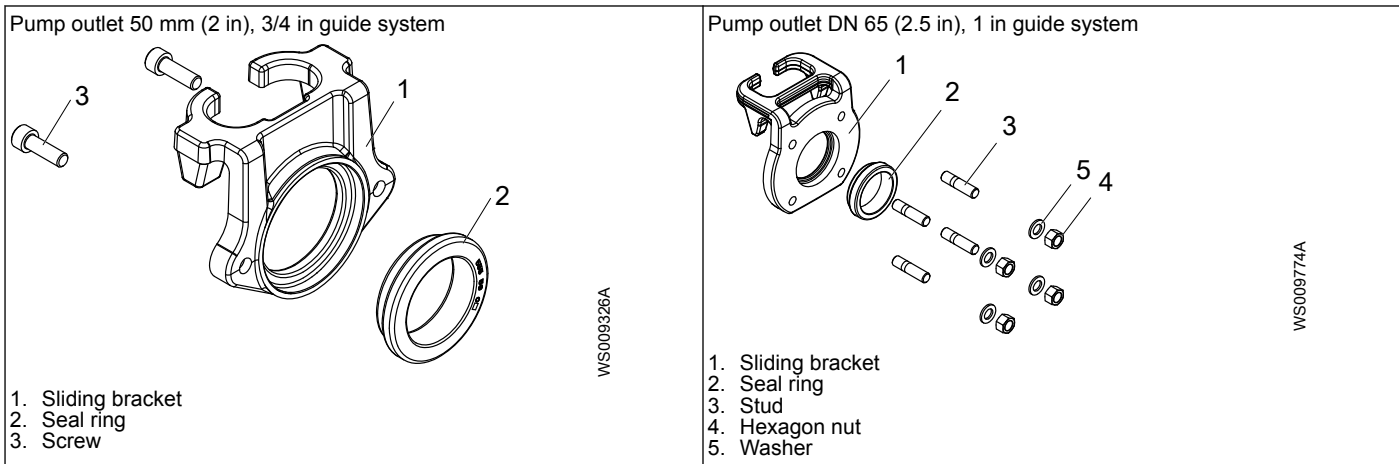


Kit part No.		Pump		Guide system		Discharge connection	
Standard coating	Special coating	Pump outlet, DN/mm (in)	Pump hydraulic version	Guide pipe dimension	Guide bracket material	Pipe connection	Diameter outlet nominal, mm (in)
8070200	8070210	50 (2)	N, D, F	3/4 in	316	Threaded	50 (2)
8071200	8071210	DN 65 (2.5)	N, D	2 in	316	Multi-joint	65 (2.5)
8072010	8072020	DN 80 (3)	N, D	2 in	316	Multi-joint	80 (3)

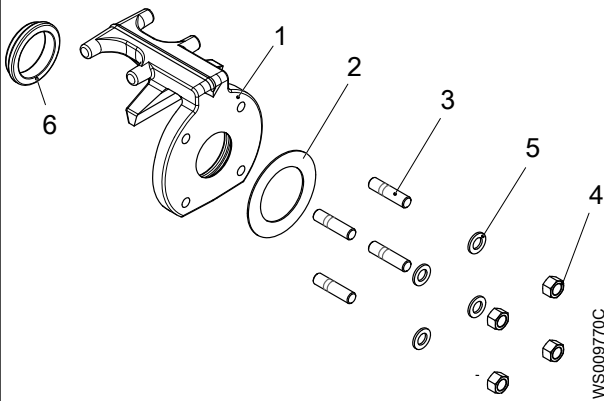
3 Replacement kits

3.1 P-installation, replacement kits

Sliding bracket kit for guide system 3/4 in, 1 in and 2 in.

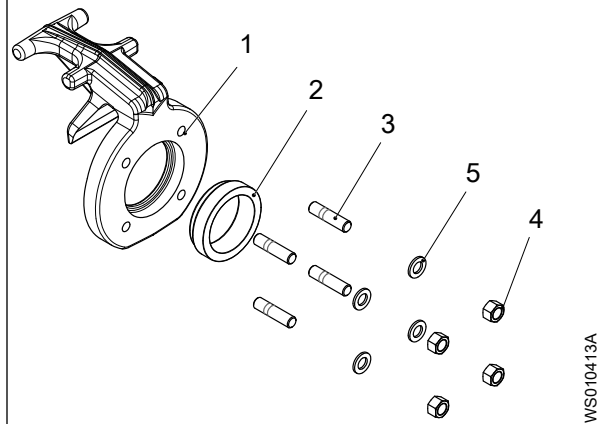


Pump outlet DN 65 (2.5 in), 2 in guide system, 65 mm (2.5 in) discharge connection



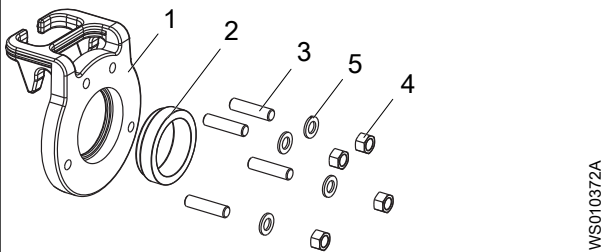
1. Sliding bracket
2. Gasket
3. Stud
4. Hexagon nut
5. Washer
6. Seal ring

Pump outlet DN 65 (2.5 in), 2 in guide system, 80 mm (3 in) discharge connection



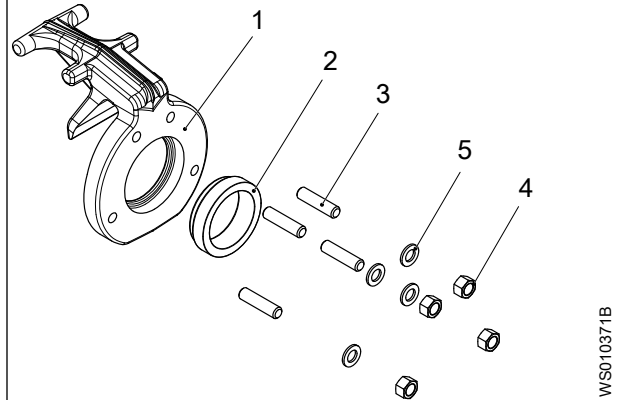
1. Sliding bracket
2. Seal ring
3. Stud
4. Hexagon nut
5. Washer

Pump outlet DN 80 (3 in), 1 in guide system



1. Sliding bracket
2. Seal ring
3. Stud
4. Hexagon nut
5. Washer

Pump outlet DN 80 (3 in), 2 in guide system



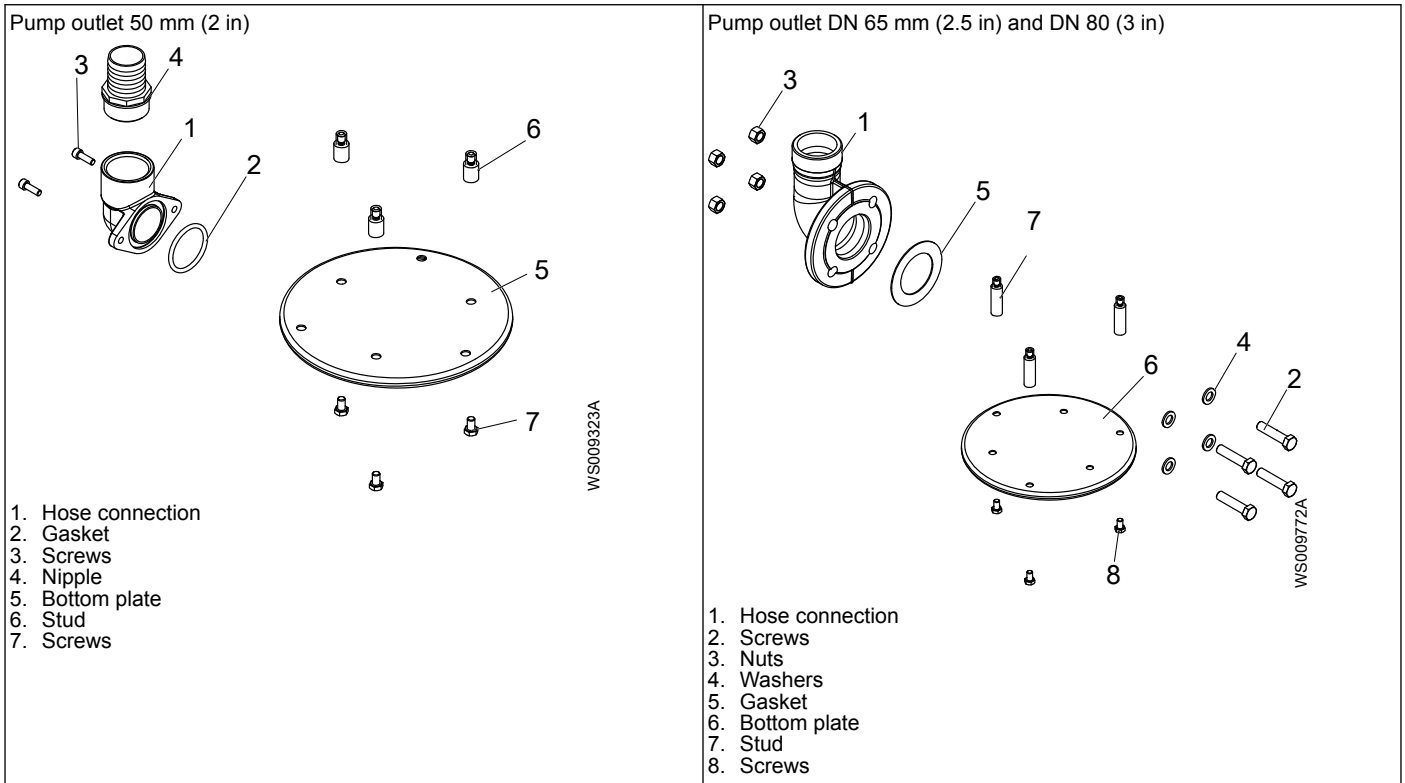
1. Sliding bracket
2. Seal ring
3. Stud
4. Hexagon nut
5. Washer

Kit part No.		Pump outlet, DN/mm (in)	Guide pipe dimension	Discharge connection inlet, mm (in)
Standard coating	Special coating			
7481840	7481870	50 (2)	3/4 in	50 (2)
7818102	7818142	DN 65 (2.5)	1 in	65 (2.5)
7481800	7481880	DN 65 (2.5)	2 in	65 (2.5)
7481830	7481829	DN 65 (2.5)	2 in	80 (3)
7767800	7767840	DN 80 (3)	1 in	80 (3)
7481810	7481890	DN 80 (3)	2 in	80 (3)

4 S-installation Kits

4.1 Portable, semipermanent, wet installation

Discharge bend for hose or threaded connection. Pump stand.

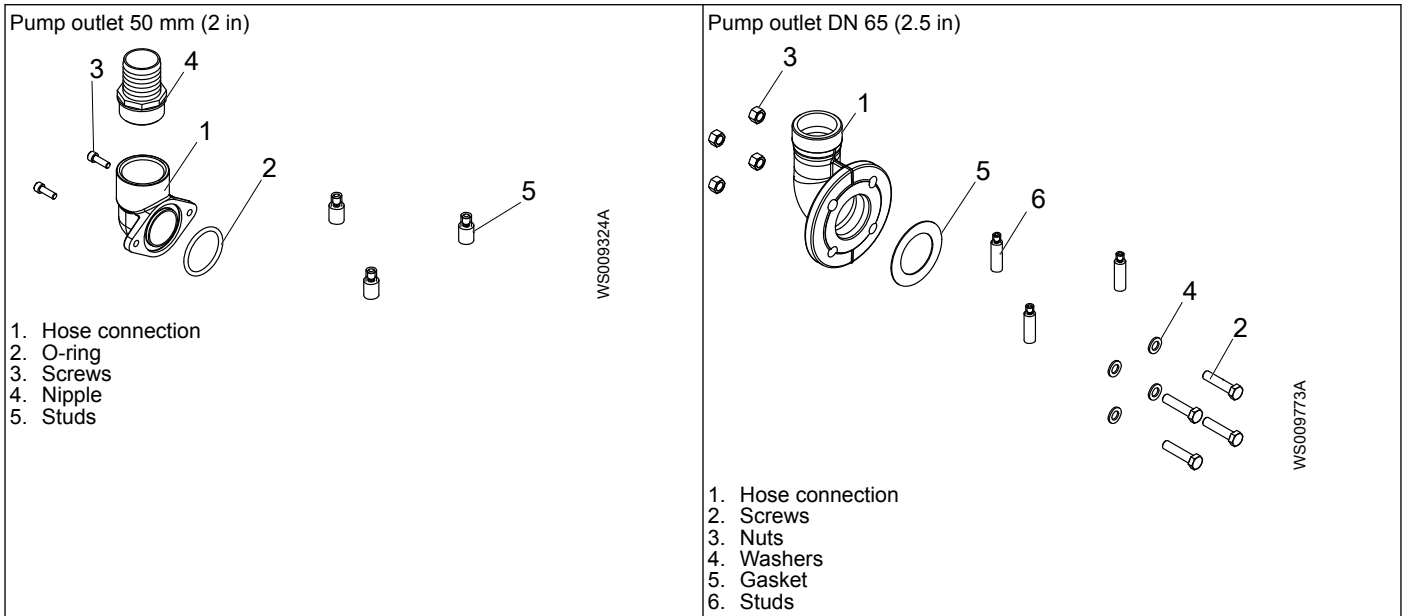


Kit part No.		Pump	Hose connection		
Standard coating	Special coating	Outlet, DN/mm (in)	Type	Outlet, mm (in)	Coupling standard
8070500	8070530	50 (2)	Hose	50 (2)	–
8070510	8070540	50 (2)	Threaded, internal	–	2–11 1/2 NPT
8070520	8070550	50 (2)	Threaded, internal	–	ISO 7/1-Rp2
8071400	8071430	DN 65 (2.5)	Threaded, external	–	ISO G3
8071410	8071440	DN 65 (2.5)	Threaded, external	–	3–8 NPSM
8071420	8071450	DN 65 (2.5)	Hose	75 (3)	–
8072200	8072240	DN 80 (3)	Threaded, external	–	ISO G3
8072210	8072250	DN 80 (3)	Threaded, external	–	3–8 NPSM
8072220	8072260	DN 80 (3)	Hose	75 (3)	–

5 F-installation Kits

5.1 Semipermanent, quick connection

Discharge bend for hose or threaded connection. Pump feet.



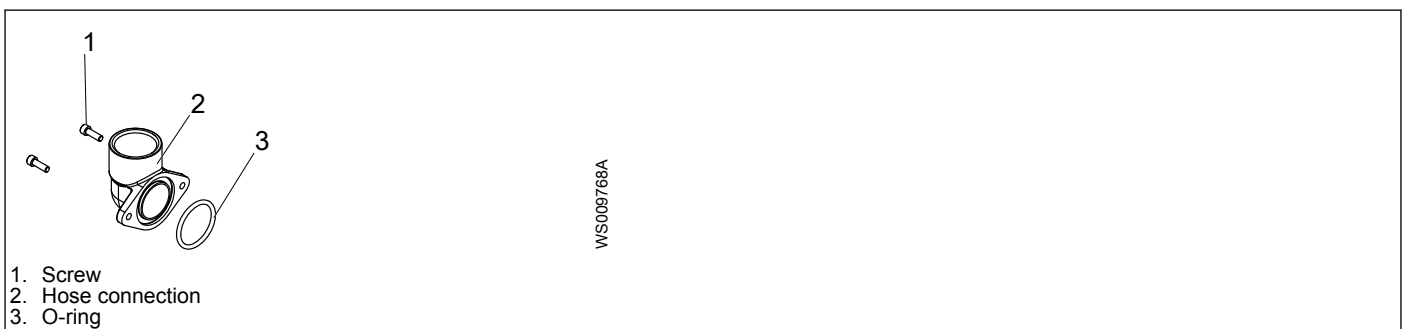
Kit part No.		Pump		Hose connection		
Standard coating	Special coating	Outlet, DN/mm (in)	Hydraulic version	Type	Outlet hose, mm (in)	Coupling standard
839270 *)	–	50 (2)	M, F	Hose	50 (2)	–
8070600	8070630	50 (2)	N, D	Hose	50 (2)	–
8070610	8070640	50 (2)	N, D	Threaded, internal	–	2-11 1/2 NPT
8070620	8070650	50 (2)	N, D	Threaded, internal	–	ISO 7/1-Rp2
8071500	8071530	DN 65 (2.5)	N, D	Threaded, external	–	ISO G3
8071510	8071540	DN 65 (2.5)	N, D	Threaded, external	–	3-8 NPSM
8071520	8071550	DN 65 (2.5)	N, D	Hose	75 (3)	–
8072300	8072340	DN 80 (3)	N, D	Threaded, external	–	ISO G3
8072310	8072350	DN 80 (3)	N, D	Threaded, external	–	3-8 NPSM
8072320	8072360	DN 80 (3)	N, D	Hose	75 (3)	–

*) Nipple

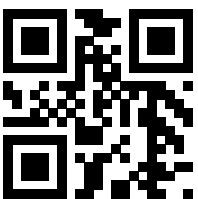
6 H-installation Kits

6.1 Semipermanent wet installation

Outlet bend for installation in Compit.



Part no	Pump		Hose connection	
	Outlet, mm (in)	Hydraulic version	Type	Coupling standard
8070400	50 (2)	N, D	Threaded, internal	ISO 7/1-Rp2
8070410	50 (2)	N, D	Threaded, internal	2-11 1/2 NPT



Xylem Water Solutions Global Services AB
361 80 Emmaboda
Sweden
Tel: +46-471-24 70 00
Fax: +46-471-24 74 01
<http://tpi.xyleminc.com>
www.xylemwatersolutions.com/contacts/
© 2017 Xylem Inc

886964_4.0_en-US_2019-10_KL_3069

xylem
Let's Solve Water