

MIXER BRACKET SYSTEM

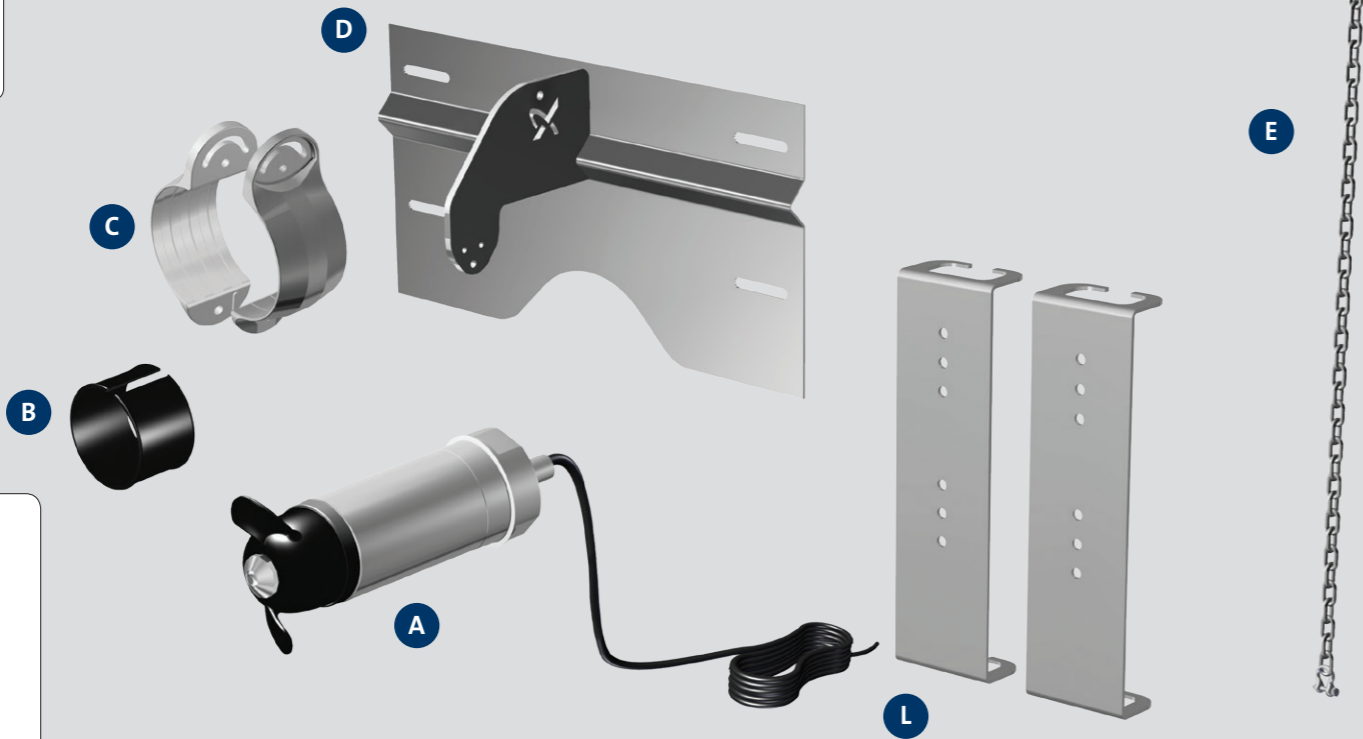
DN25/DN40/DN50 GUIDERAILS

Further product
documentation



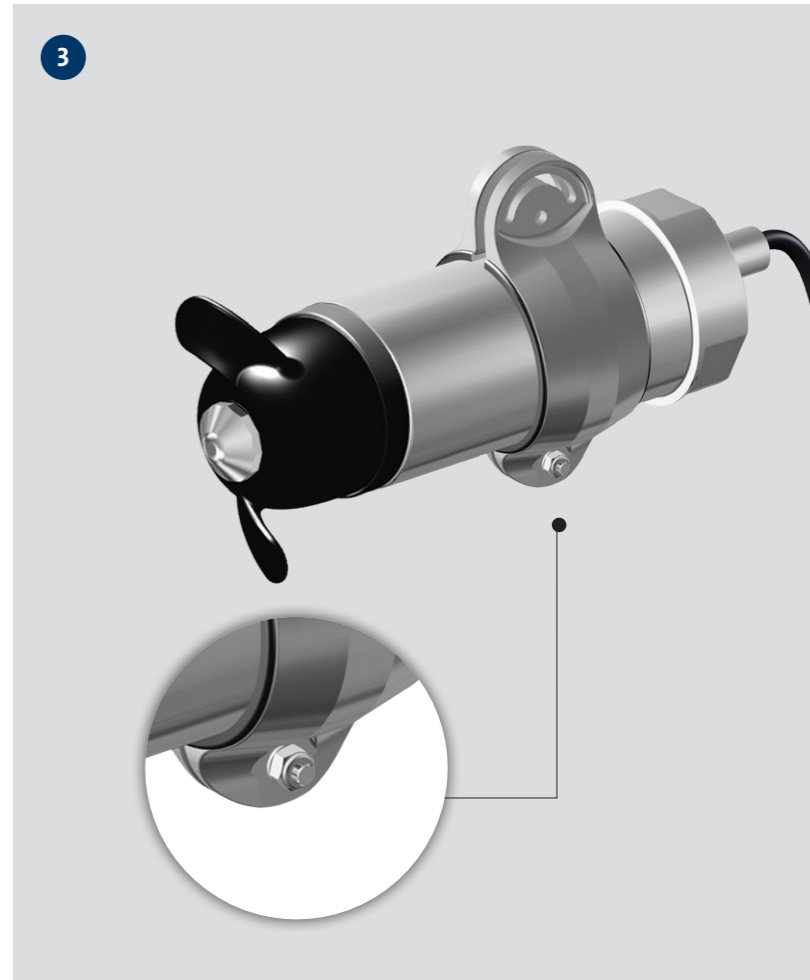
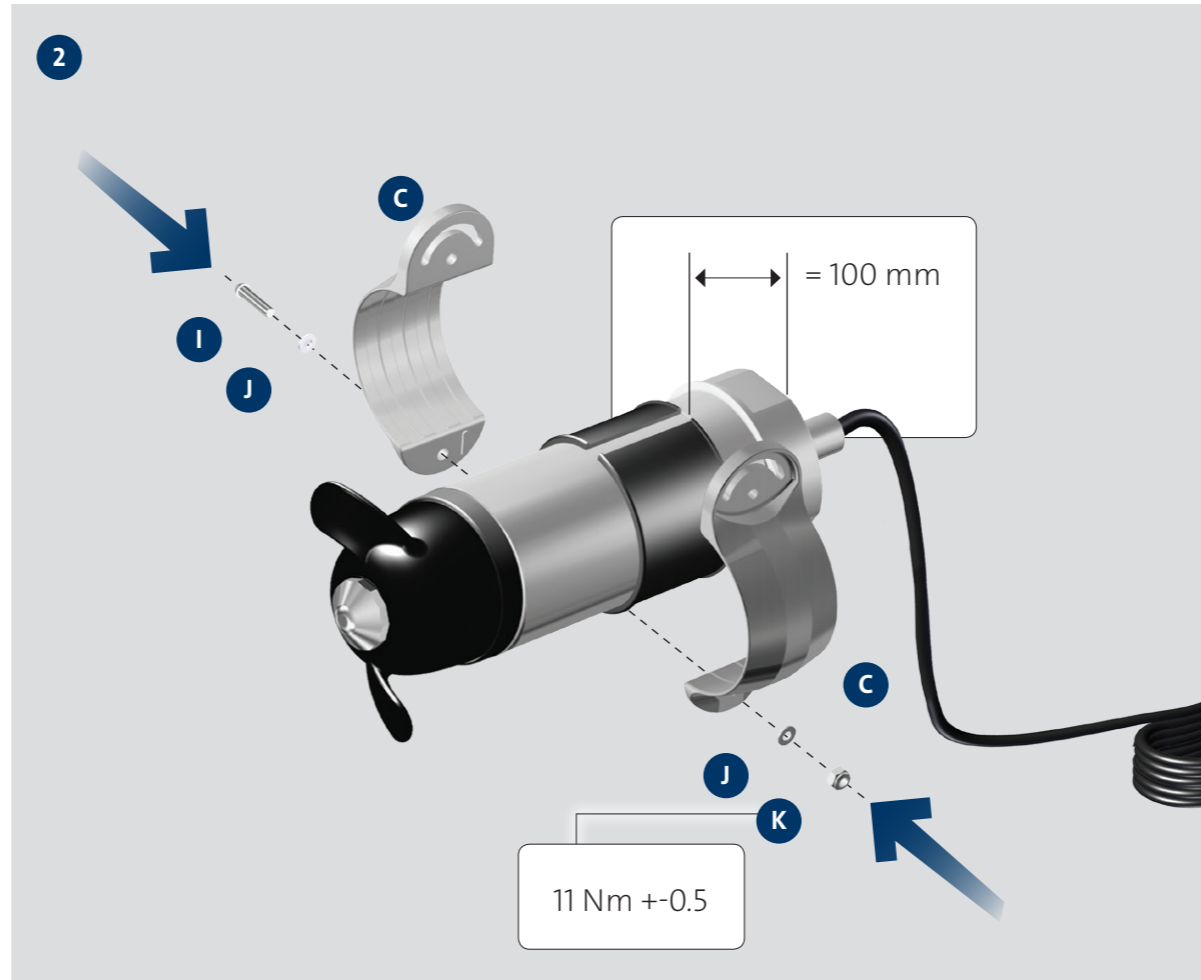
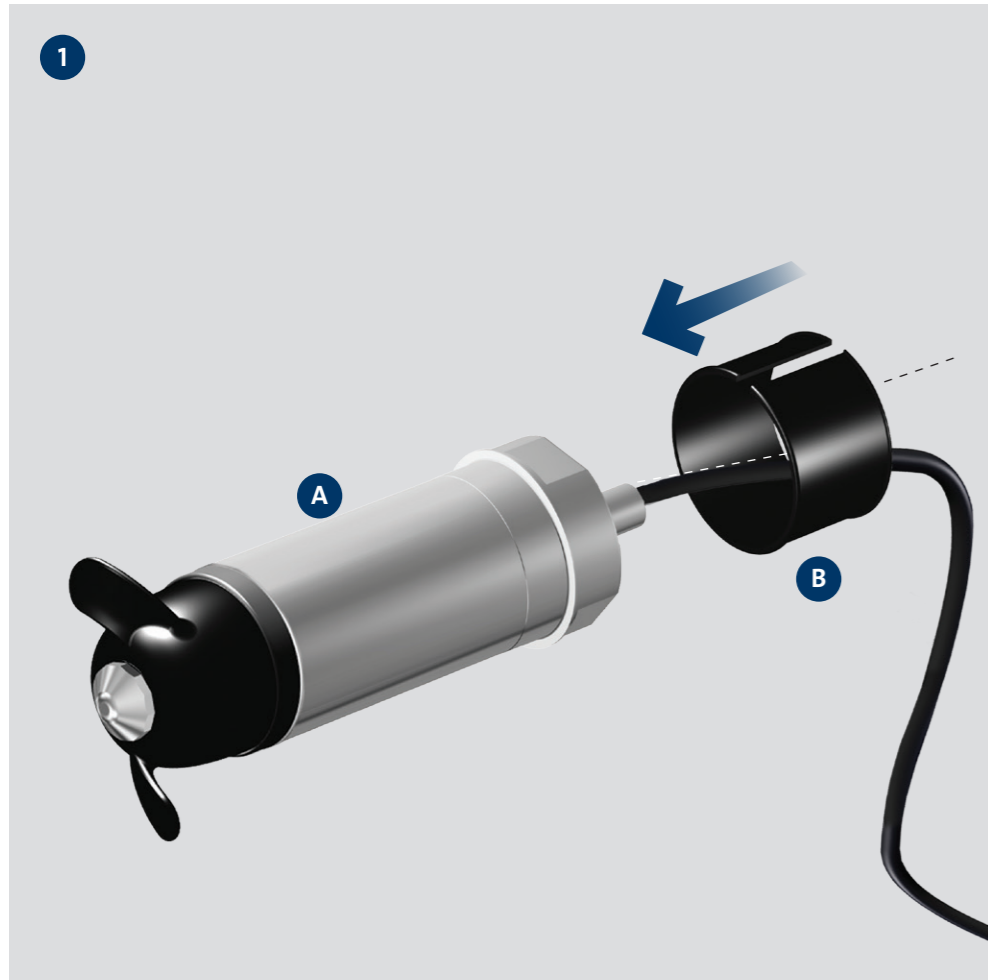
net.grundfos.com/qr/i/96526302

1 inch / DN25



1.5 inch / DN40





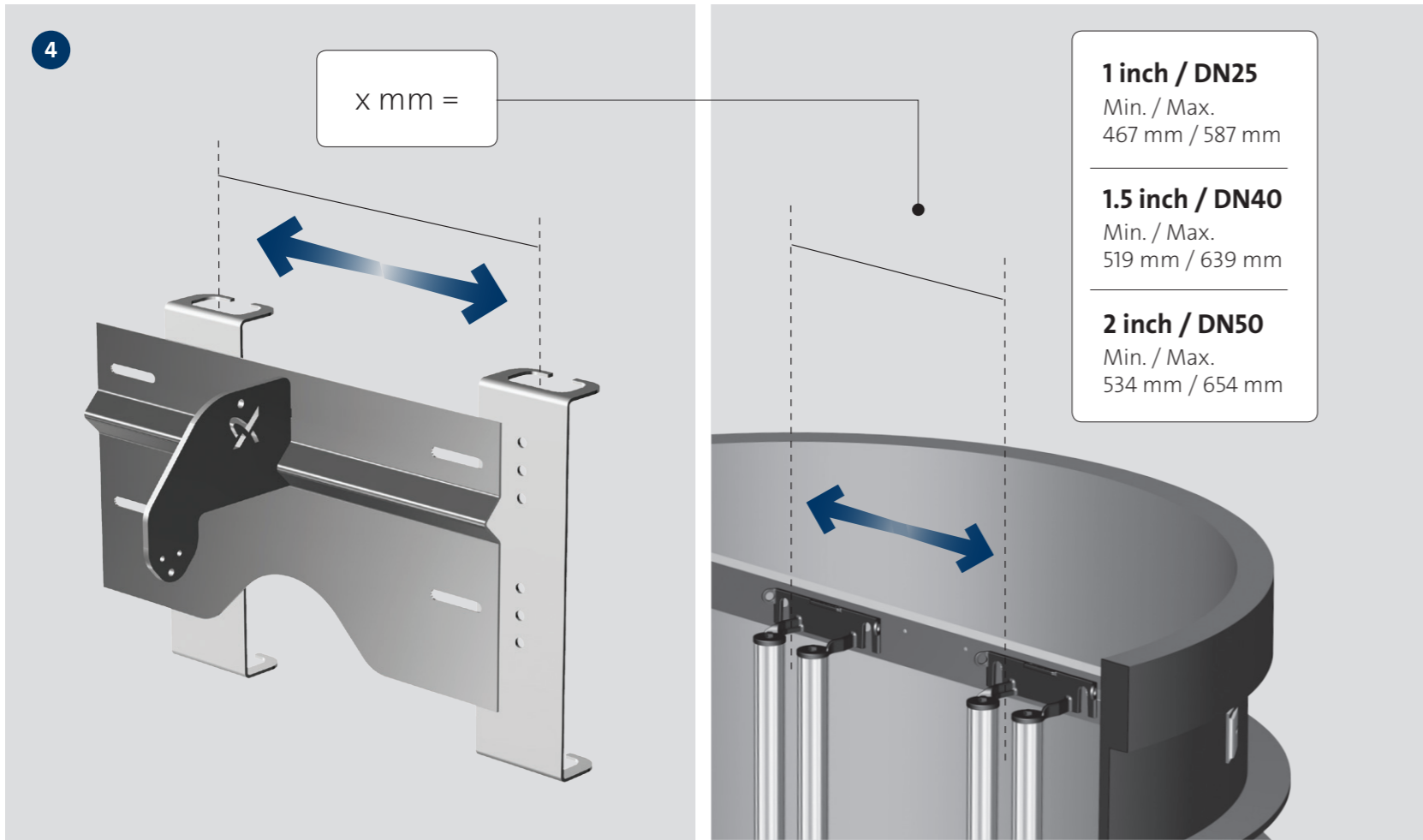
4

x mm =

- 1 inch / DN25**
Min. / Max.
467 mm / 587 mm

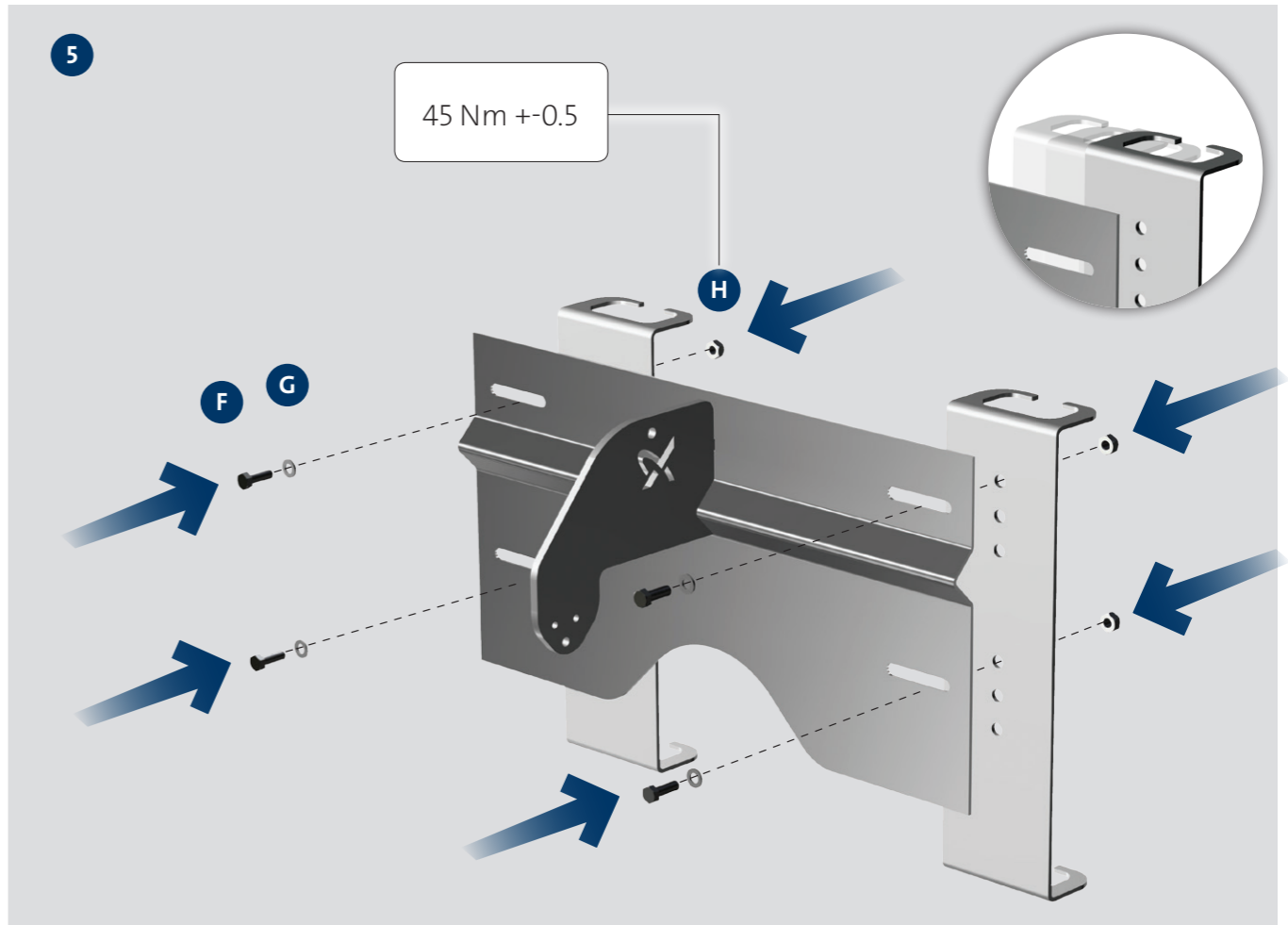
- 1.5 inch / DN40**
Min. / Max.
519 mm / 639 mm

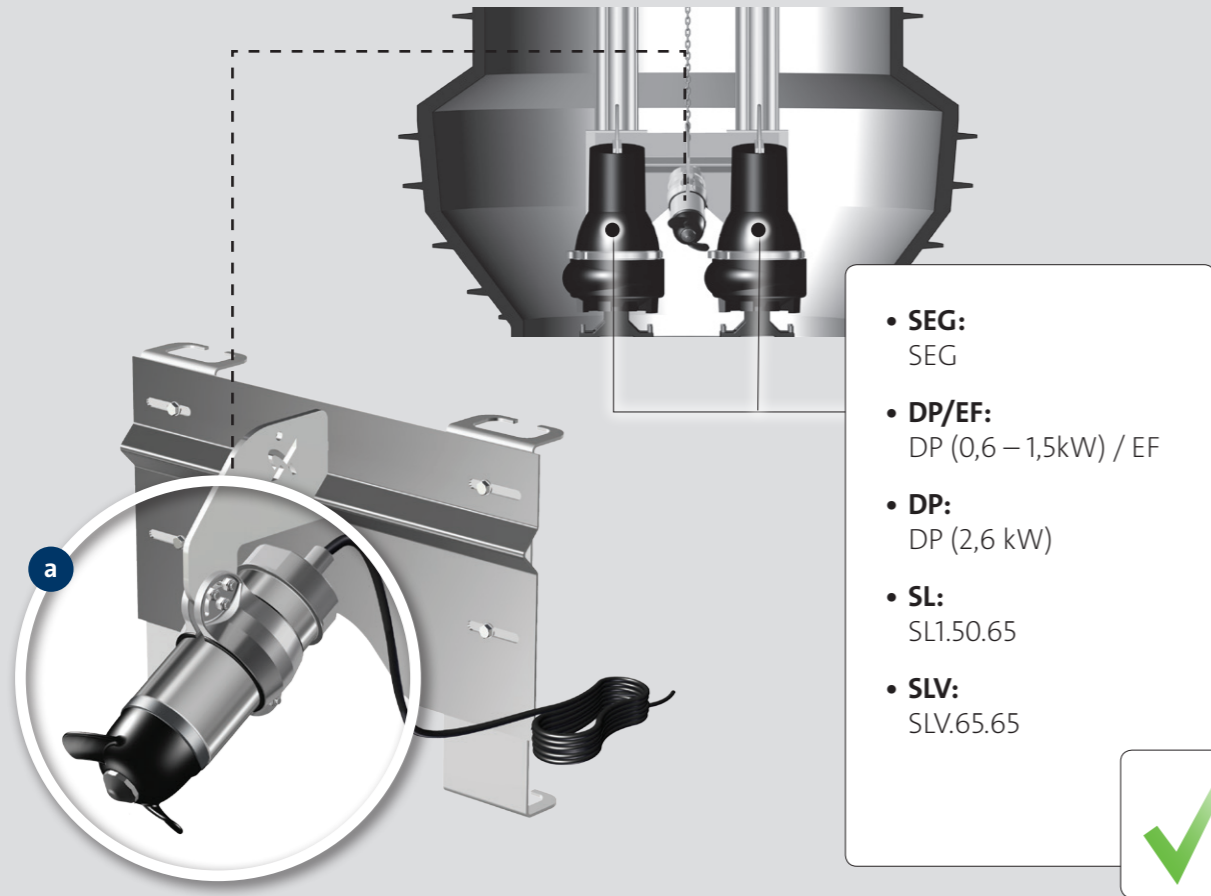
- 2 inch / DN50**
Min. / Max.
534 mm / 654 mm



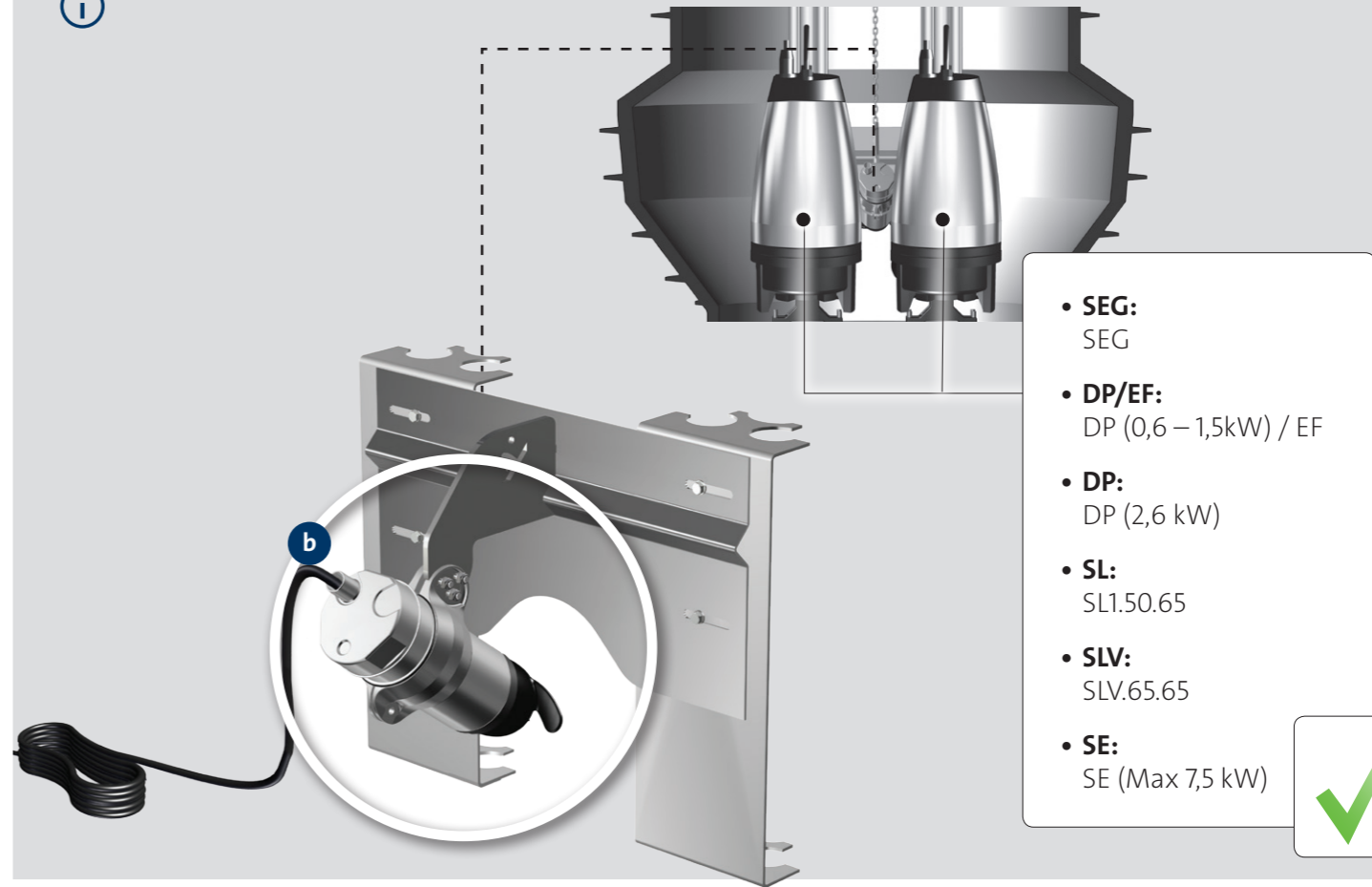
5

45 Nm +/-0.5





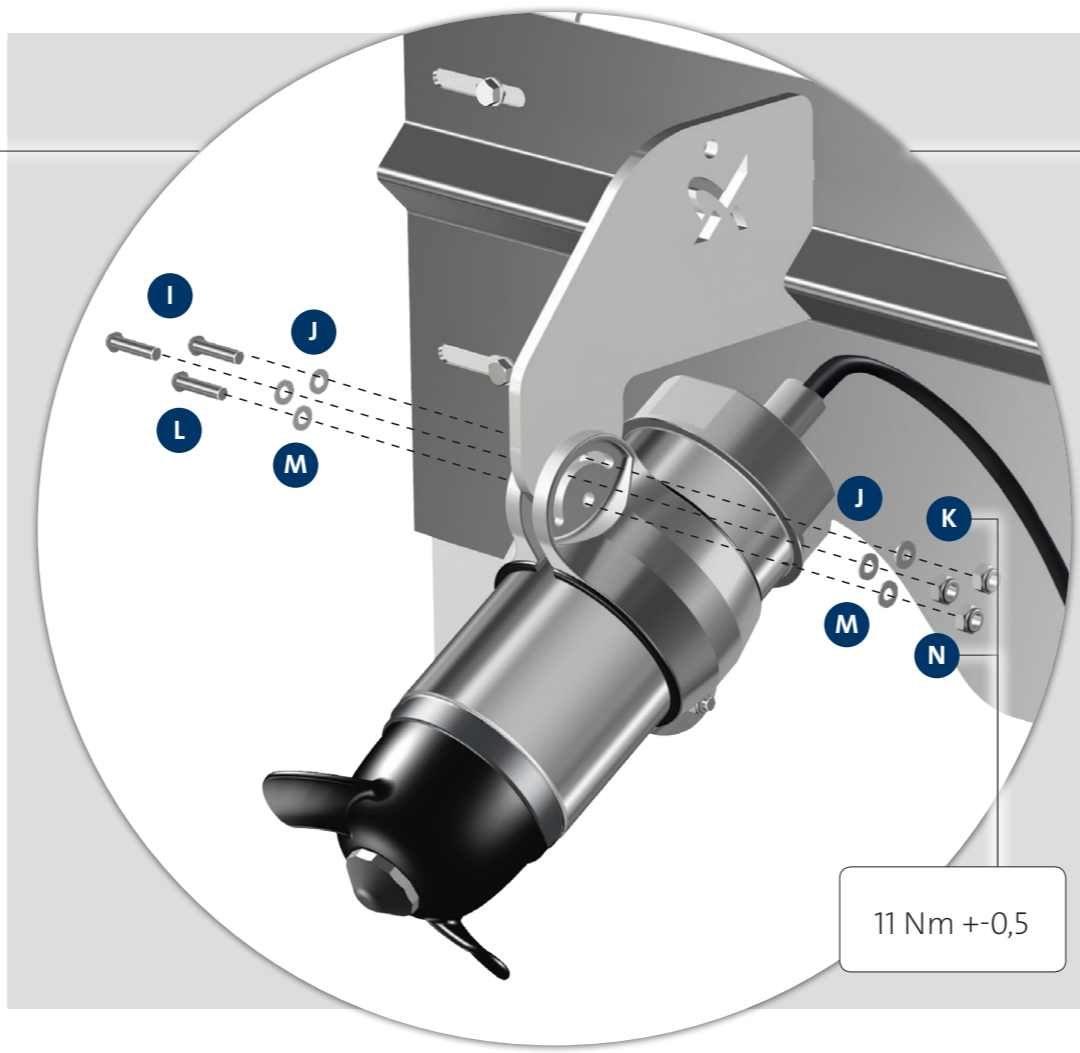
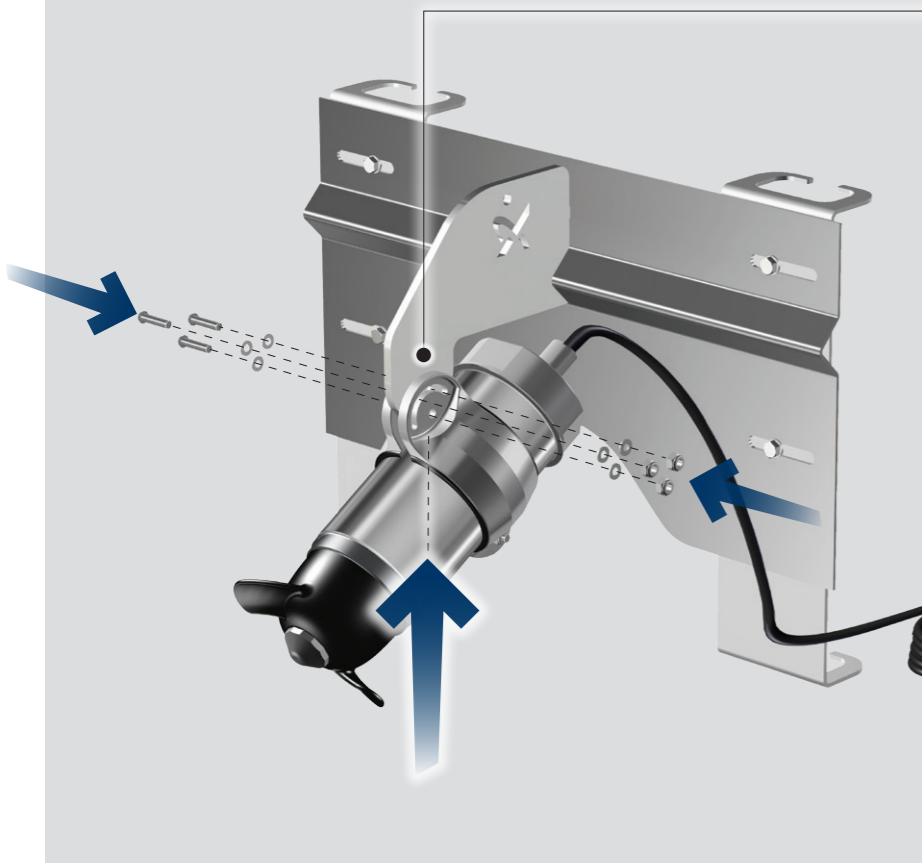
- **SEG:**
SEG
- **DP/EF:**
DP (0,6 – 1,5kW) / EF
- **DP:**
DP (2,6 kW)
- **SL:**
SL1.50.65
- **SLV:**
SLV.65.65



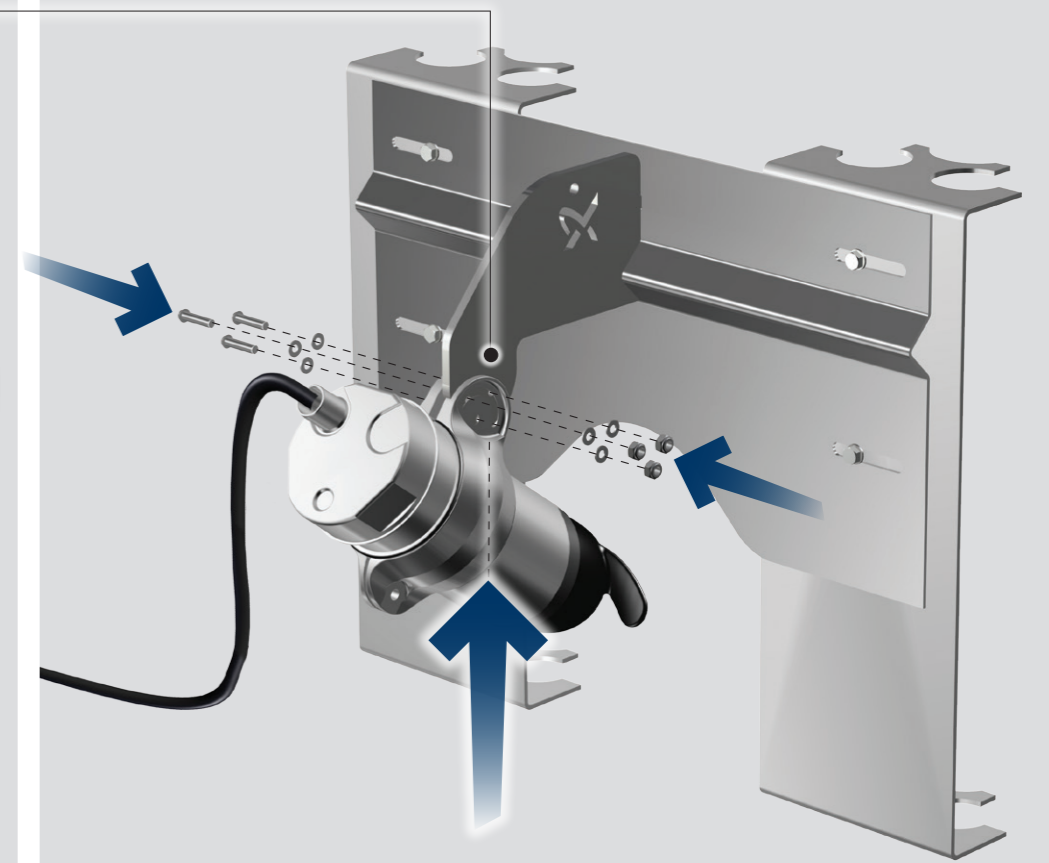
- **SEG:**
SEG
- **DP/EF:**
DP (0,6 – 1,5kW) / EF
- **DP:**
DP (2,6 kW)
- **SL:**
SL1.50.65
- **SLV:**
SLV.65.65
- **SE:**
SE (Max 7,5 kW)



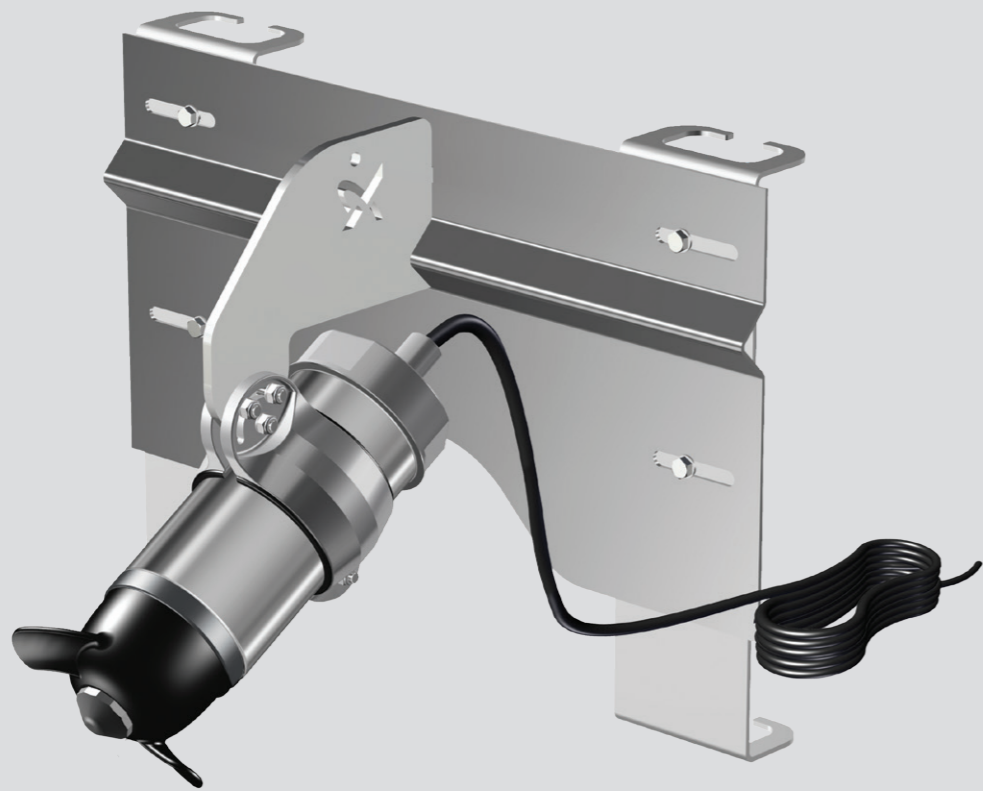
6a



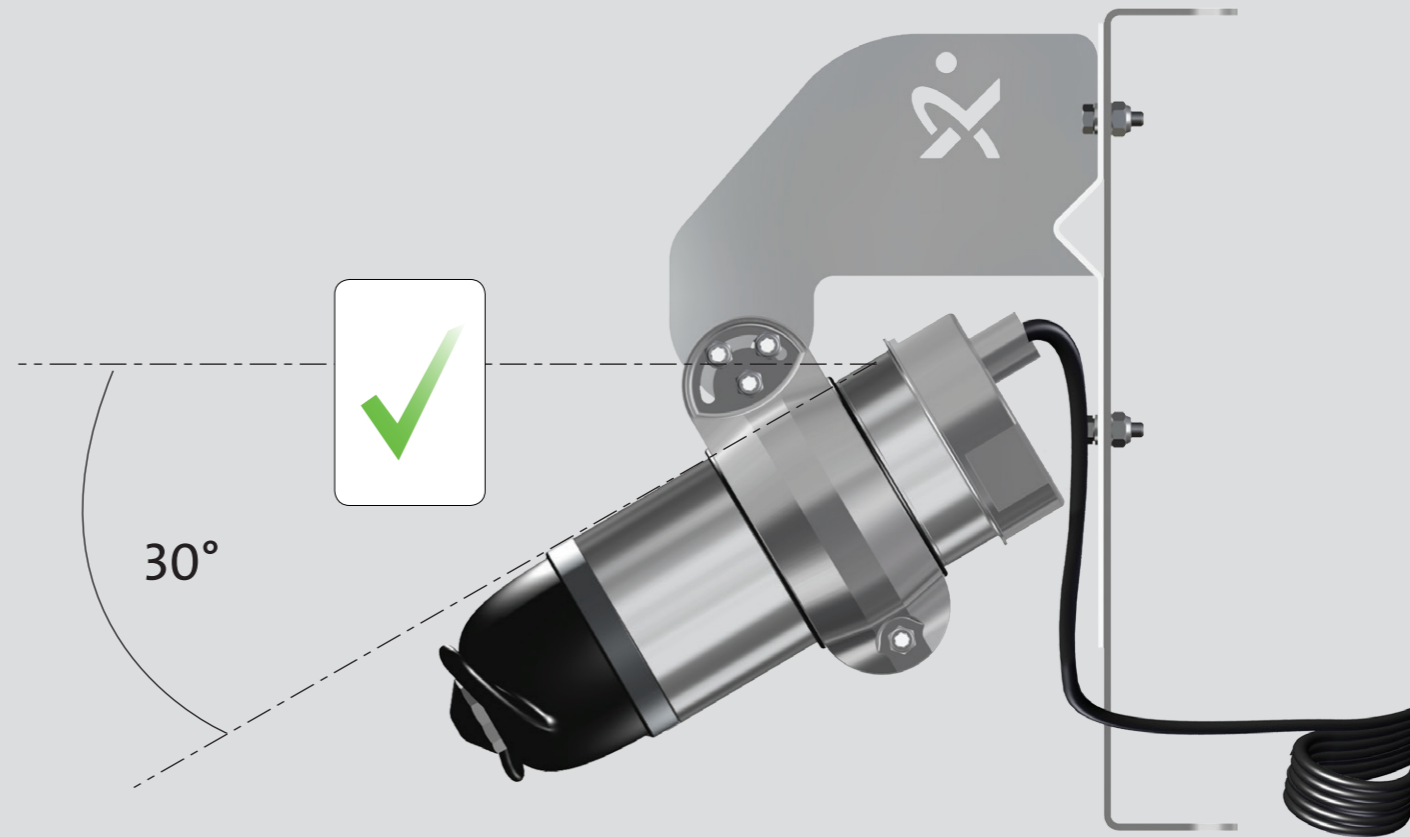
6b



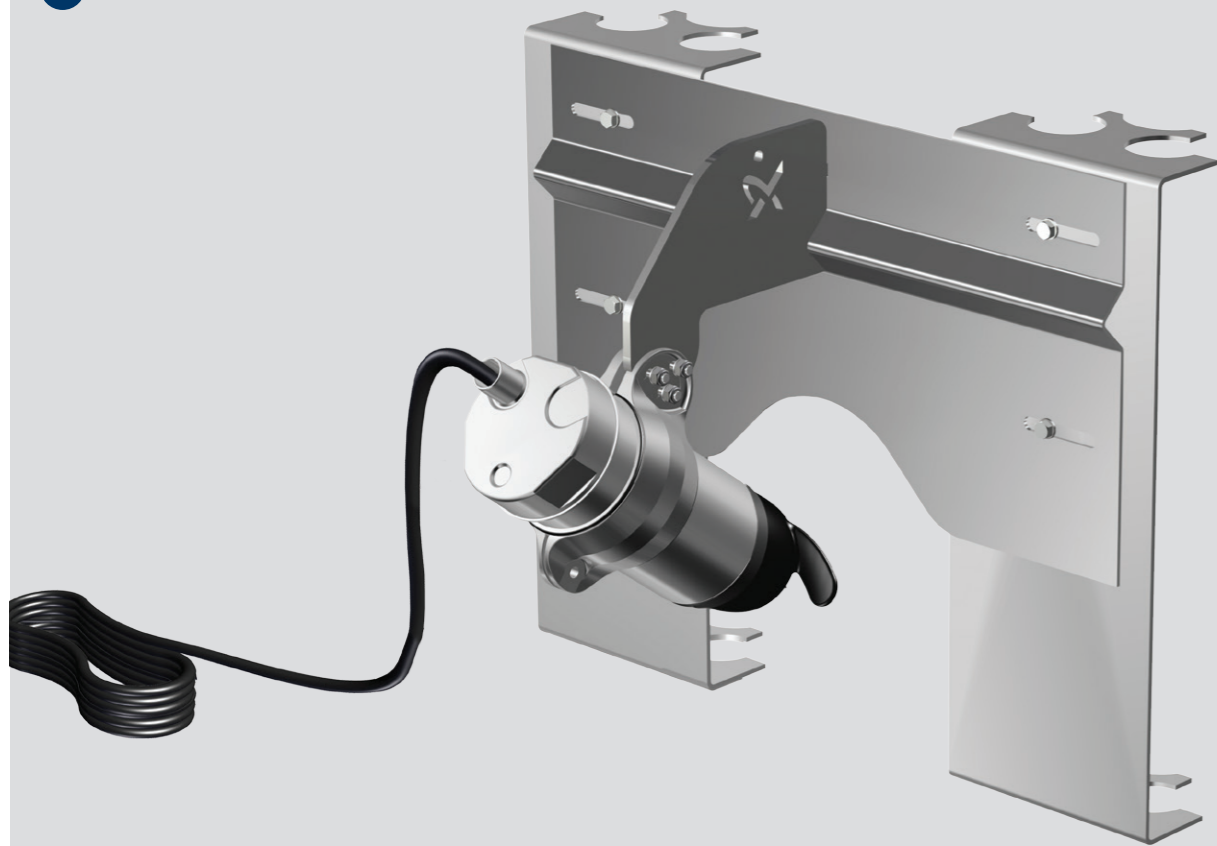
7a



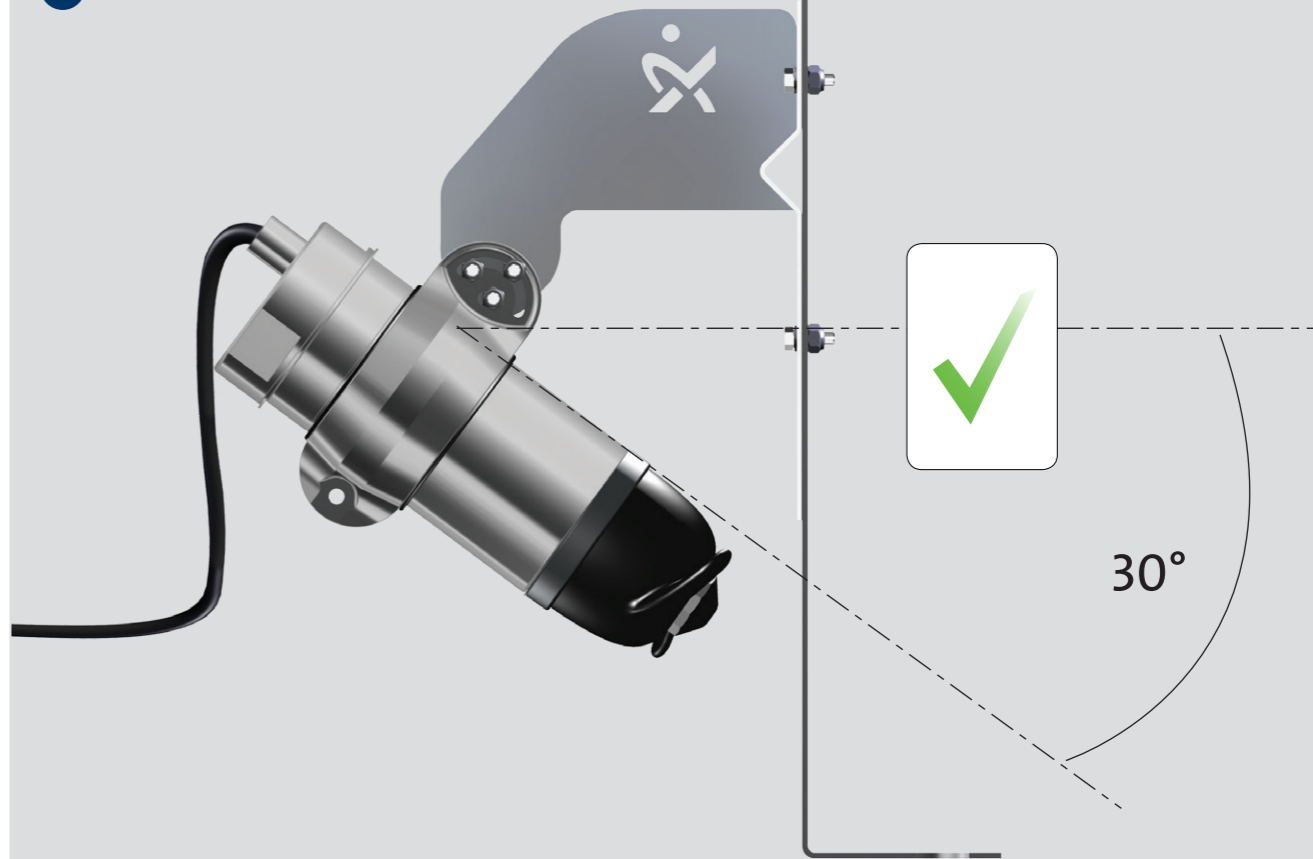
8a

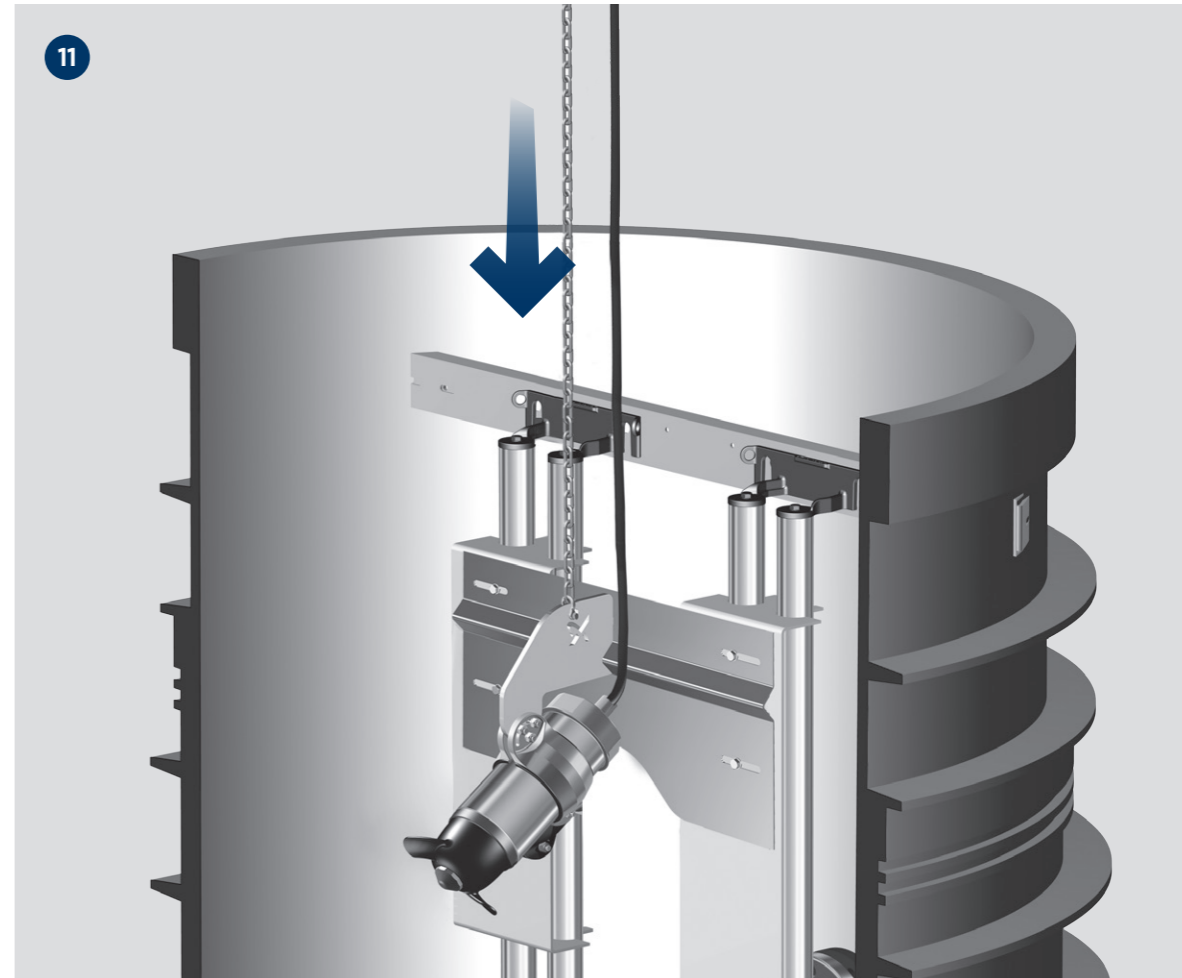
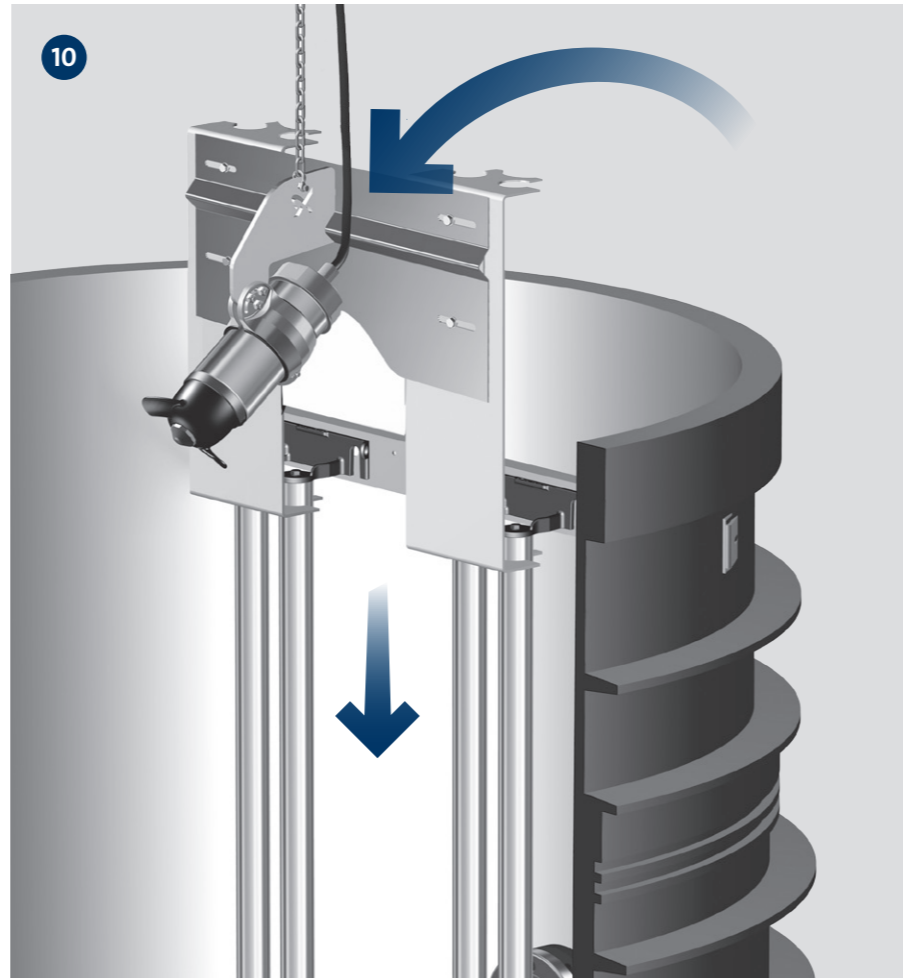
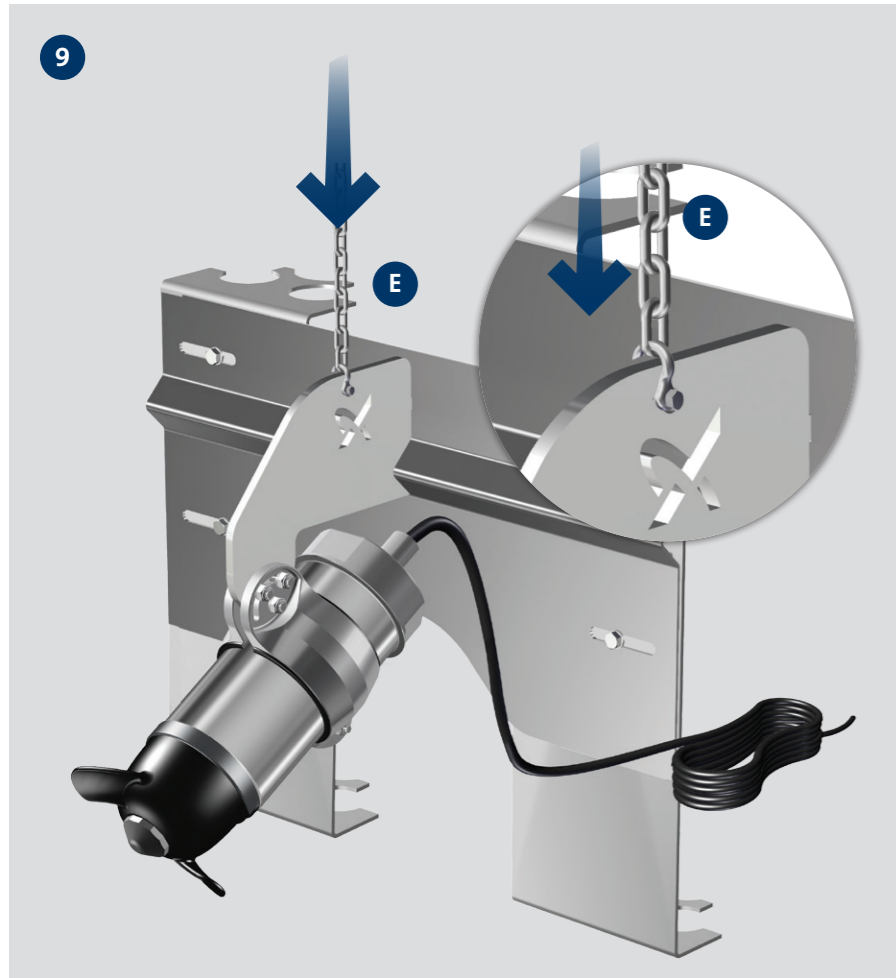


7b

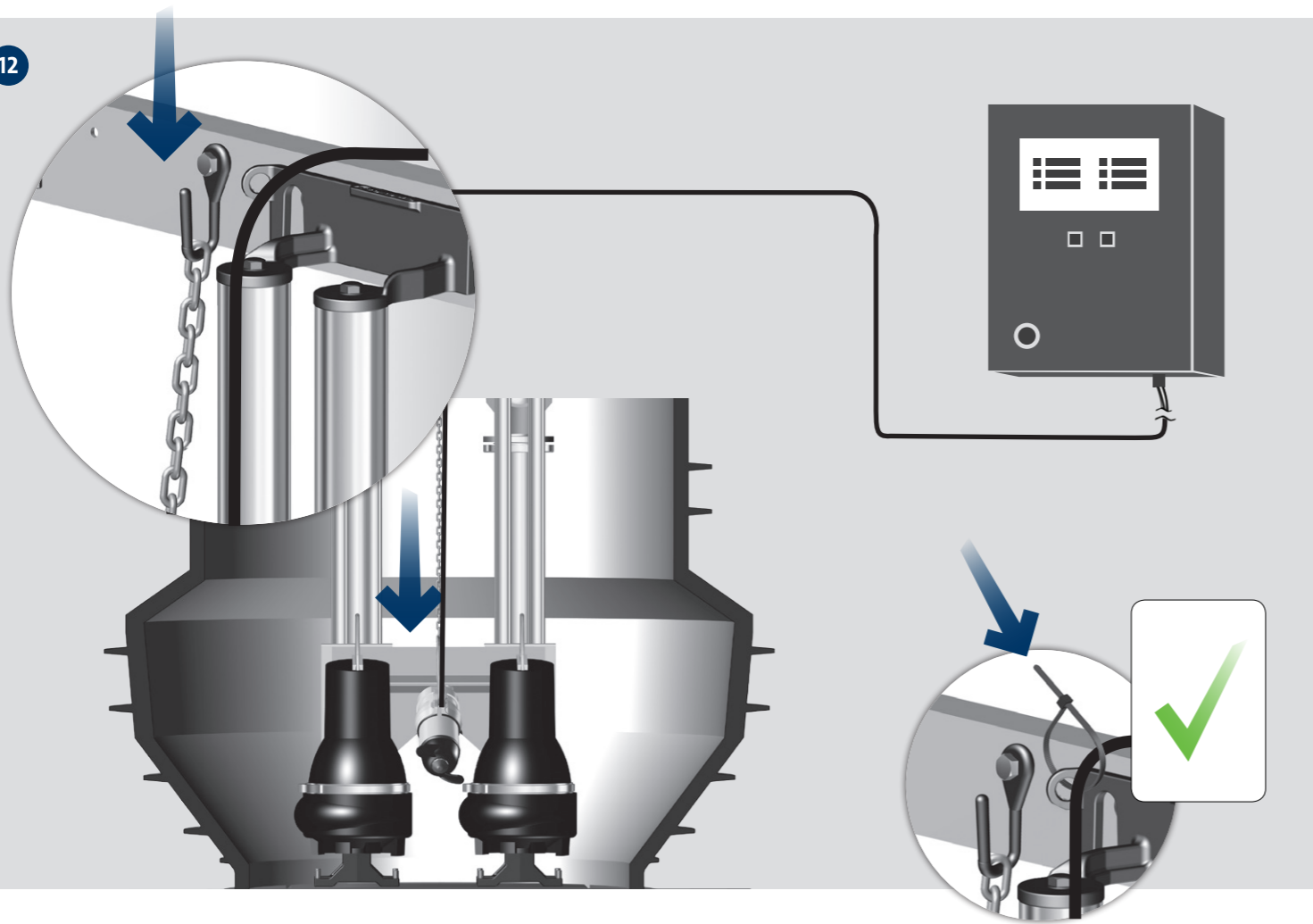


8b





12



i



99044298 0217

ECM: 1203977

be think innovate

GRUNDFOS 

The name Grundfos, the Grundfos logo, and the phrase be think innovate, are registered trademarks owned by Grundfos Holding A/S or Grundfos A/S, Denmark. All rights reserved worldwide.