

Receiver

From

Society
Reference
Address
Phone
Fax
E-mail

Item n° :

1D5111G9B

Model :

CP-G 80-2400/A/BAQE/5,5 IE2

Pump data

MEI ≥

Pressure rating : PN 16
Min. fluid temperature : -10 °C
Max. fluid temperature : 140 °C
Max. Ambient temperature : 40 °C

Requested data

Flow :
Head :
Fluid (%) :
Fluid Temperature : 20 °C
Density : 998,3 kg/m³
Kinematic viscosity : 1,005 mm²/s
Vapor pressure :

Real duty point

Flow :
Head :
NPSH :
Shaft power P2 :
Efficiency :

Materials

Pump body : Cast iron 250 UNI ISO 185
Support : Cast iron 250 UNI ISO 185
Impeller : Cast iron 250 UNI ISO 185
Mechanical seal : SEE "SHAFT SEAL" SECTION
OR ring : EPDM Rubber
Shaft with rotor : AISI 304 X5 Cr Ni 1810 UNI 6900/71

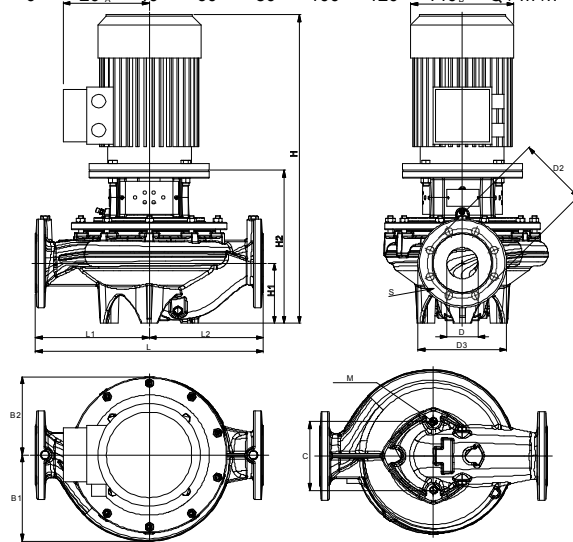
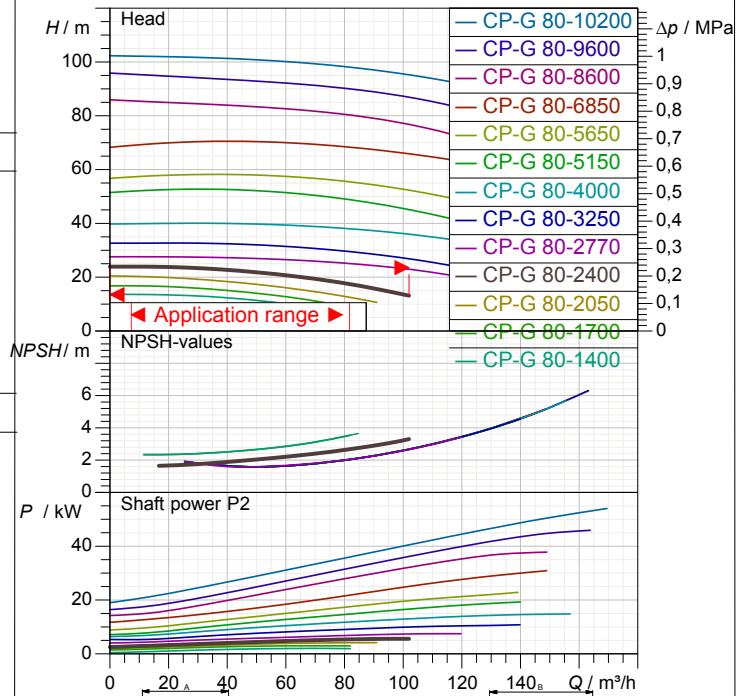
Shaft seal

Type : Rubber
Stationary part : Silicon carbide
Rotating part : Carbon
Elastomer : EPDM

Motor data

Nominal power P2 : 5,5 kW
Rated speed : 2918 1/min
Rated voltage : 3~ 400 V 50 Hz
Nominal current : 10,4 A
Degree of protection : IP 55

Curve tolerance according to ISO 9906



Weight : 114 kg

Dimensions in mm

| | | | |
|----|-----|----|---------|
| A | 210 | H1 | 105 |
| B1 | 135 | H2 | 348 |
| B2 | 151 | L | 360 |
| C | 144 | L1 | 180 |
| D | 80 | L2 | 180 |
| D2 | 160 | M | M16 |
| D3 | 200 | S | 8 x Ø18 |
| H | 738 | | |

Pump connection

Suction side : DN 80 / PN 16
Discharge side : DN 80 / PN 16

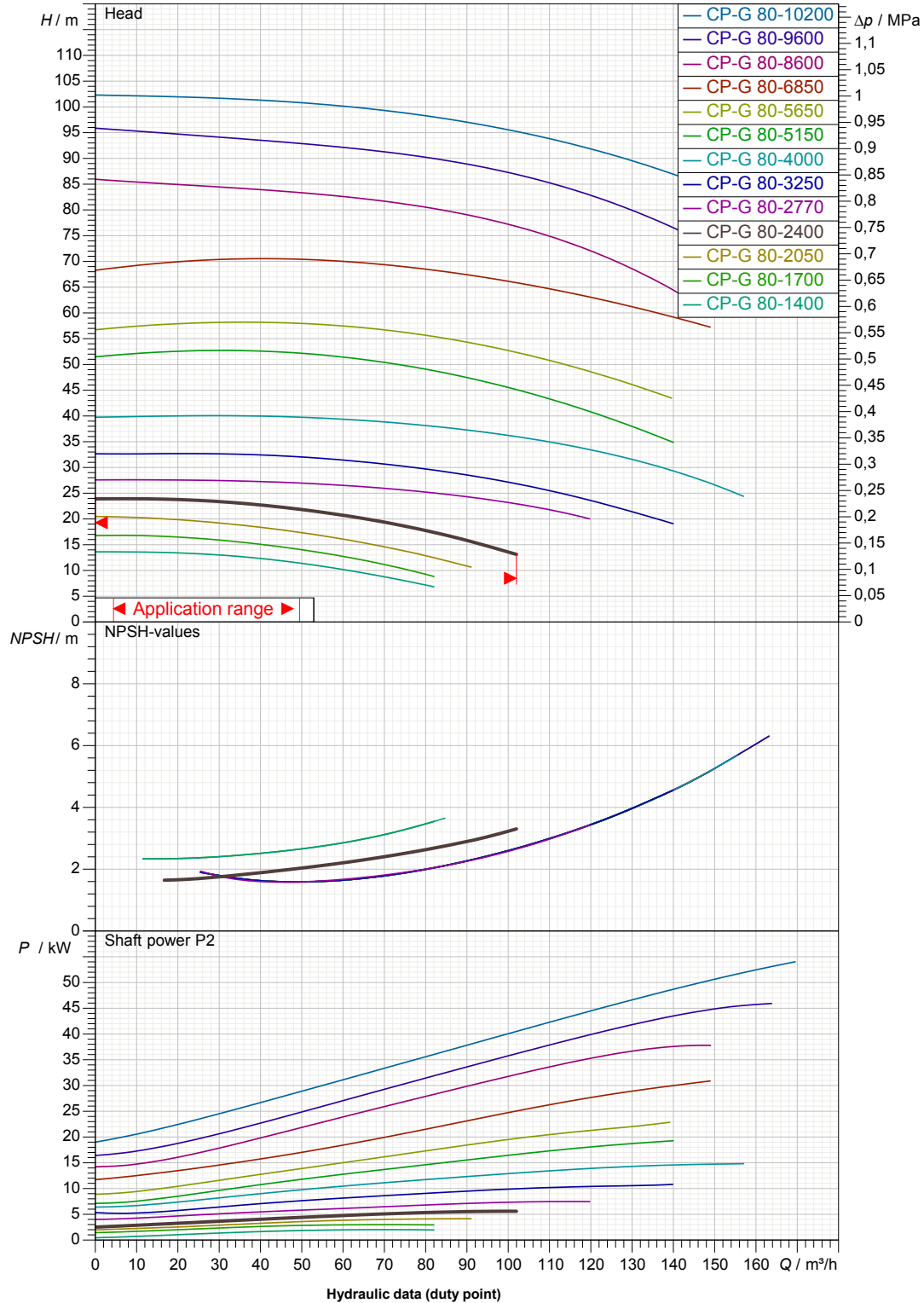
Receiver

From

 Society
 Reference
 Address
 Phone
 Fax
 E-mail

CP-G 80-2400/A/BAQE/5,5 IE2

Curve tolerance according to ISO 9906


 Suction side :
 DN 80
 PN 16

 Discharge side :
 DN 80
 PN 16

Flow :

Head :

 Rated speed :
 2918 1/min

MAIN_PROJECT_TITLE

BUSINESS_PROCESS_IT

OWNER_

ISSUE_DATE



DIMENSIONAL DRAWING

2019-10-2€

Page 3 / 3

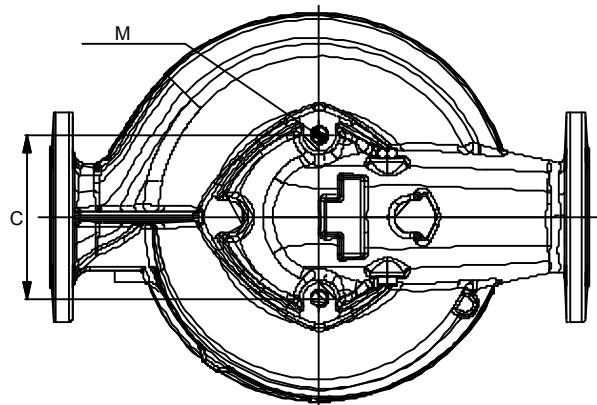
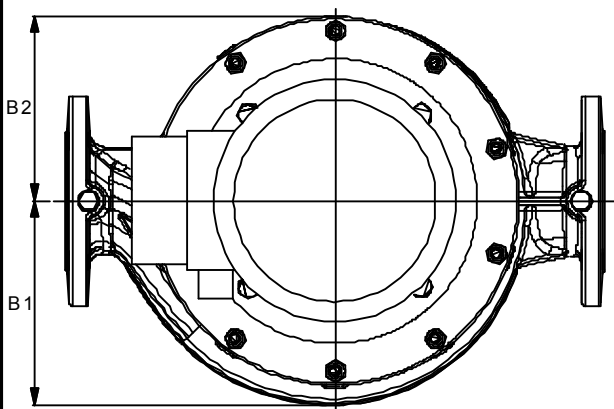
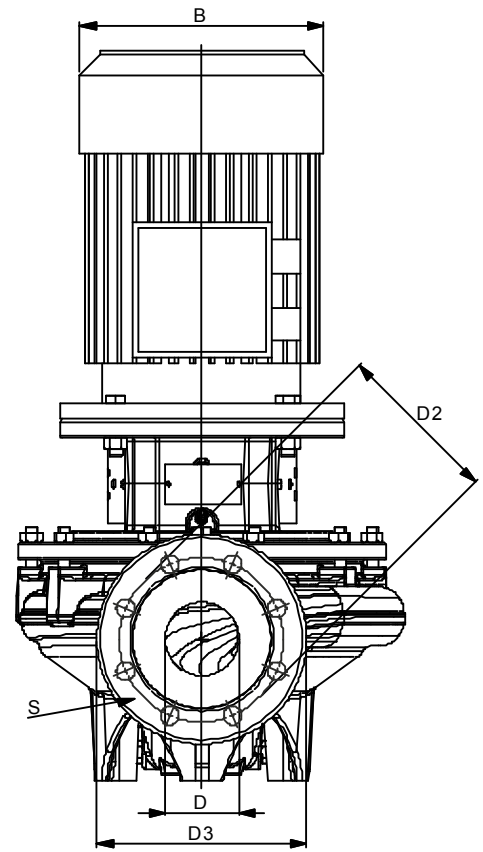
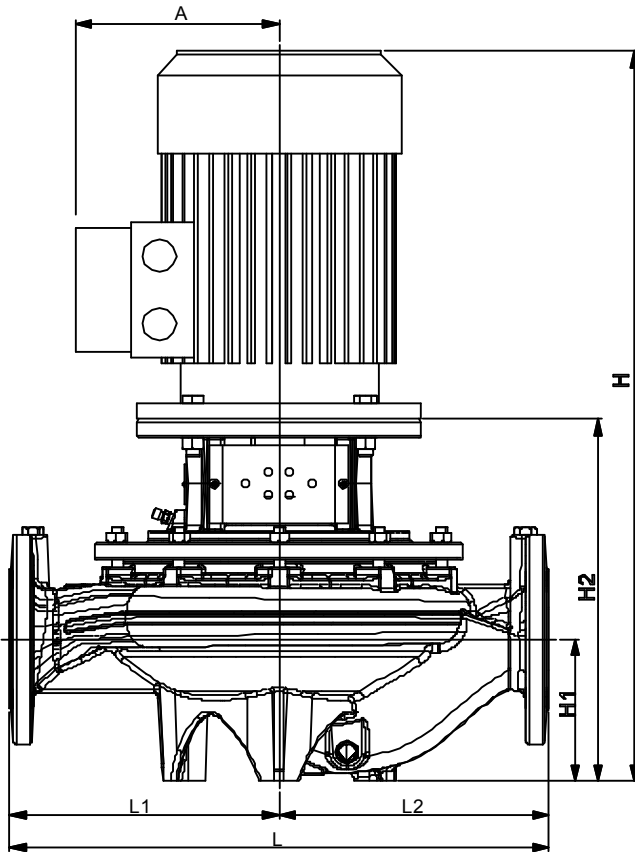
DAB PUMPS S.p.A.
Via Marco Polo, 14 - 35035 Mestrino (PD), Italy
Tel. +39 049 5125000 - Fax +39 049 5125950
www.dabpumps.com

Receiver

From

Society
Reference
Address
Phone
Fax
E-mail

CP-G 80-2400/A/BAQE/5,5 IE2



Dimensions in mm

| | | | | |
|----|----|-----|----|---------|
| 1 | A | 210 | L2 | 180 |
| 2 | B1 | 135 | M | M16 |
| 3 | B2 | 151 | S | 8 x Ø18 |
| 4 | C | 144 | | |
| 5 | D | 80 | | |
| 6 | D2 | 160 | | |
| 7 | D3 | 200 | | |
| 8 | H | 738 | | |
| 9 | H1 | 105 | | |
| 10 | H2 | 348 | | |
| 11 | L | 360 | | |
| 12 | L1 | 180 | | |

Pump connection

Suction
DN 80
PN 16

Discharge
DN 80
PN 16

MAIN_PROJECT_TITLE

BUSINESS_PROCESS_ID

OWNER_

ISSUE_DATE