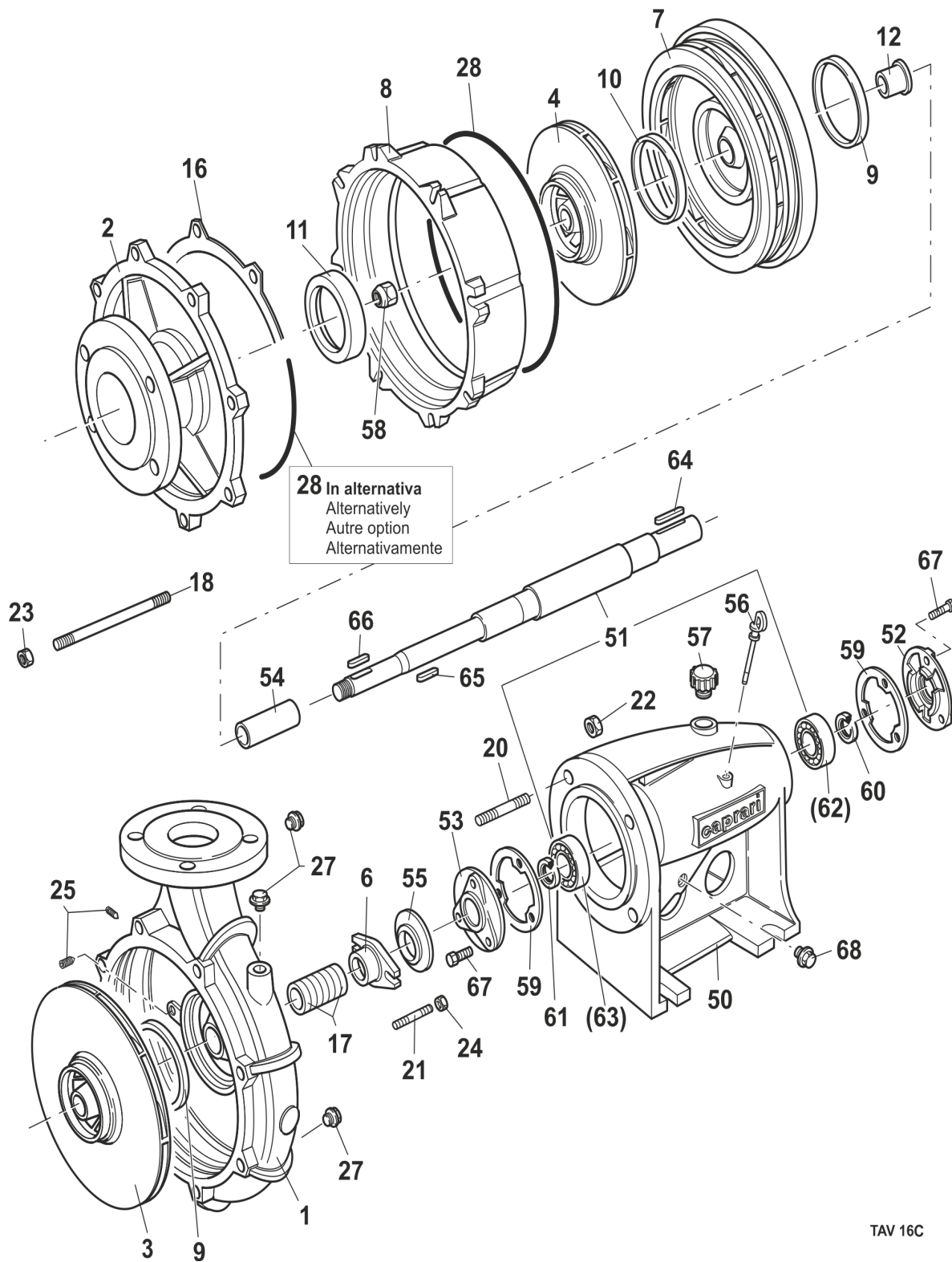


CAPRARI S.p.A

41123 MODENA (ITALY) - VIA EMILIA OVEST, 900
 Tel. +39 059897611 - Fax +39 059 897897
 email: info@caprari.it - www.caprari.com



780188 - MEC-MR65-3/2A HORIZONTAL PUMP



COMPONENTS LIST

| Pos. | Code | Serial N° | Description | Qty |
|------|--------|------------------|---------------------------------------|------|
| 1 | 400093 | MECM65-3/260-1 | DELIVERY CASING | 1 PZ |
| 2 | 400391 | MEC65/260-3 | SUCTION COVER | 1 PZ |
| 3 | 400791 | MECM65-3/260-5A | IMPELLER D.260 | 1 PZ |
| 4 | 400807 | MEC65/200-5A | IMPELLER D.205 | 1 PZ |
| 6 | 410643 | MECM65-3/260-8 | STUFFING BOX | 1 PZ |
| 7 | 430384 | MECM65-73 | DIFFUSER | 1 PZ |
| 8 | 430393 | MECM65-74 | STAGE CASING | 1 PZ |
| 9 | 440536 | MEC65/200-165A | WEAR RING | 2 PZ |
| 10 | 440536 | MEC65/200-165A | WEAR RING | 1 PZ |
| 11 | 440537 | MEC65/200-165B | WEAR RING | 1 PZ |
| 12 | 410710 | MECM65/2-10 | SPACER SLEEVE | 1 PZ |
| 16 | 330722 | MEC50/260-141 | GASKET FOR SUCTION COVER | 2 PZ |
| 17 | 330325 | TG02052 | PACKING 30X42X6 | 8 PZ |
| 18 | 300591 | PS01094 | SPECIAL STUD M12X105 | 8 PZ |
| 20 | 300361 | PN0733 | STUD M14(6G/6G)X30 UNI 5909-5.8 | 4 PZ |
| 21 | 300394 | PN02007 | STUD M10(6G/6G)X50 UNI5909 | 2 PZ |
| 22 | 310028 | DN0734 | NUT M14 UNI 5588-6S | 4 PZ |
| 23 | 310025 | DN0676 | NUT M12 UNI 5588-6S | 8 PZ |
| 24 | 310201 | DN01374 | NUT M10 UNI5588-A2 | 2 PZ |
| 25 | 300745 | GC0735 | DOWEL M10X12 UNI 5923-12.9 | 2 PZ |
| 27 | 310714 | TF01304 | PLUG 3/8"GAS CONICAL (AFL N.290/292) | 3 PZ |
| 28 | 330463 | OR01093 | OR SEAL 266,29X3,53 OR41050 (AP) | 1 PZ |
| 50 | 440805 | MEC2A-178 | PEDESTAL | 1 PZ |
| 51 | 411147 | MEC2-3AMR/2-1007 | PUMP SHAFT + CSN L.539 | 1 PZ |
| 62 | 350082 | CSN0359 | BEARING 3206/C3 (N.14 BALLS) | 1 PZ |
| 63 | 350082 | CSN0359 | BEARING 3206/C3 (N.14 BALLS) | 1 PZ |
| 52 | 410679 | MEC2AC-9 | BEARING COVER | 1 PZ |
| 53 | 410679 | MEC2AC-9 | BEARING COVER | 1 PZ |
| 54 | 450551 | MEC2-3AMR-220 | SHAFT SPACER SLEEVE | 1 PZ |
| 55 | 310852 | PRA01344 | DEFLECTOR 26,8X55 | 1 PZ |
| 56 | 310816 | MEC2A-26 | OIL DIPSTICK | 1 PZ |
| 57 | 310743 | MEC1A-28 | OIL FILTER PLUG | 1 PZ |
| 58 | 330132 | DS02309 | NON-STANDARD NUT M18X1.5X16 UNI7474 | 1 PZ |
| 59 | 330824 | MEC2A-146 | GASKET FOR FLANGE | 2 PZ |
| 60 | 330247 | AT01243 | SEAL RING 30x40x7 | 1 PZ |
| 61 | 330247 | AT01243 | SEAL RING 30x40x7 | 1 PZ |
| 64 | 310446 | LCH0968 | FEATHER KEY A8X7X50 UNI6604-C50 | 1 PZ |
| 65 | 310434 | LCH0760 | FEATHER KEY A8X7X35 (TOL.UNI6604)-C50 | 1 PZ |
| 66 | 310427 | LCH0732 | FEATHER KEY A6X6X30 (TOL.UNI6604)-C50 | 1 PZ |
| 67 | 300055 | VTE0116 | SCREW M8X20 UNI 5739-8.8 | 6 PZ |
| 68 | 310714 | TF01304 | PLUG 3/8"GAS CONICAL (AFL N.290/292) | 1 PZ |