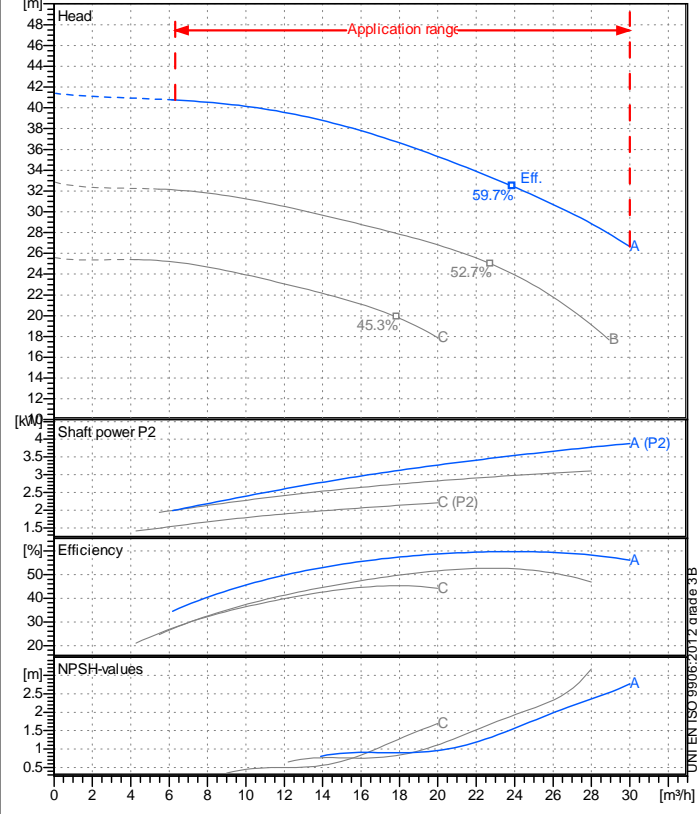


Company name
 Respons. Department
 Person in charge
 Phone number
 Fax no
 E-mail address

Receiver	From



Operating data specification

Nominal flow	m³/h 0
Nominal head	m 0
Static head	m 0
NPSH - v value of plant	m 0
Inlet pressure	bar 0.09793
Fluid	Water, pure
Operating temperature t A	°C 20
Density at t A	kg/dm³ 0.9983
Kin. viscosity at t A	mm²/s 1.005

Pump

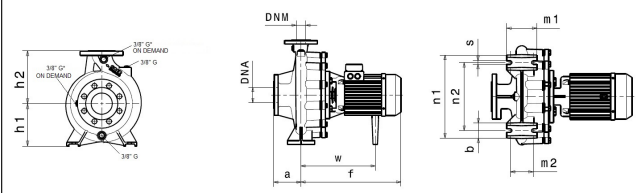
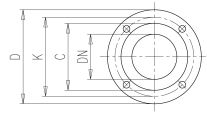
Pump name		IRX32-160SA	
Size		50/32/160	
MEI (Reg. 547/2002 EU) >		0,5	
Speed 1/min	2900	No of stages	1
Impeller type		Radial impeller	
Flow	Nominal	m³/h	
	Max-	m³/h	30
	Min-	m³/h	6.31
Head	Nominal	m	
	Max-	m	40.8
	Min-	m	26.6
Head H(Q=0)	m	41.4	
NPSH 3%	m		
Max. working pressure	bar	4.05	
Shaft power	kW		
Efficiency	%		
Max absorbed power	kW	3.8805	

Materials Pump

Shaft	Duplex Stainless steel (1.4362)
Impeller	Precision cast Stainless steel AISI 316 (1.4408)
Pump body	Cast Stainless steel AISI 316 (1.4408)
Seal disc	Cast Stainless steel AISI 316 (1.4408)
Gasket	Natural fiber
Mechanical seal	Q1Q1VG (SiC/SiC/FPM rubber)

Dimensions in mm

a	80	DNM		DNA	
b	50	C	78	C	102
f	427	D	140	D	165
h1	132	DN	32	DN	50
h2	160	K	100	K	125
m1	100	n°	4 x 19 mm	n°	4 x 19 mm
m2	70				
n1	240				
n2	190				
s	14				
w	304				



Motor	Manufacturer / Type	SAER	112-2P-5,5
Efficiency	IEC 60034-30	IE3	
Rated power	kW 4	Efficiency 4/4	88.1 %
Number of poles	2	Frame size	112
Electric current	A 7.5 A	Speed	1/min 2925
Electric voltage	V 400 V	3~	Hz 50
Starting mode	Unknown		
Degree of protection	IP 55	Insulation class	F

Remarks:

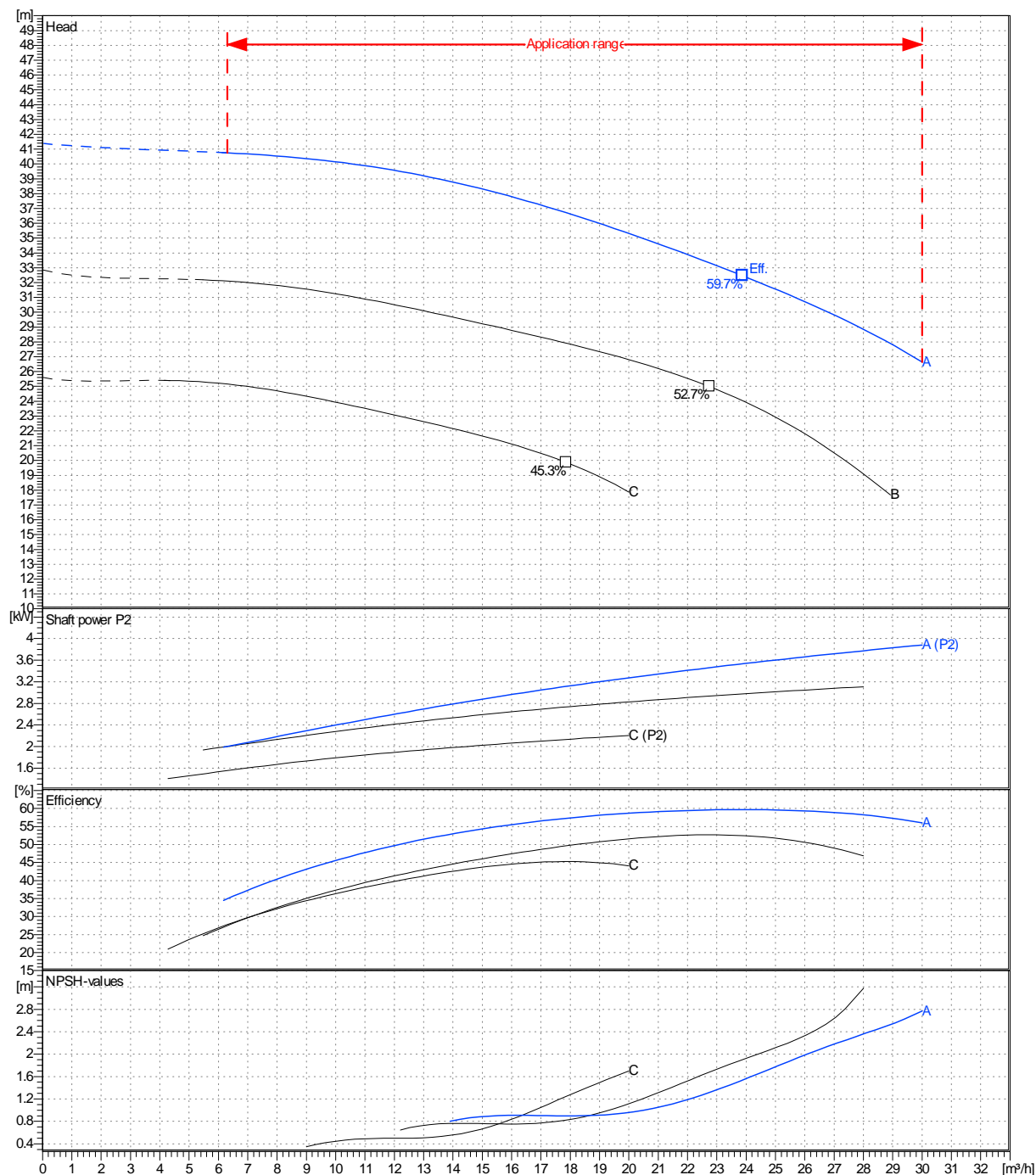
Project	Project ID	Created by	Created on	Last update
			2021-08-05	

Receiver		From	
Company name			
Respons. Department			
Person in charge			
Phone number			
Fax no			
E-mail address			

Operating area	Flow	Head	Impeller type	Radial impeller						
Operating data specification	0 m ³ /h	0 m	Impeller construction	Closed						
Pump data	m ³ /h	m	Sense of rotation	Clockwise from the drive end						
			Outlet width	DN32						
	Flow		Head		Shaft power P2		Speed	1/min	2900	
	Min.	Max.	η Max.	H(Q=0)	η Max.	P2(Q=0)	Max.	η Max.	Frequency	Hz
	m ³ /h	m ³ /h	m ³ /h	m	m	kW	kW	kW		50 Hz
	6.31	30	23.9	41.4	32.5		3.88	3.53		

Performance data based to: Water, pure [100%]; 20°C; 0.998kg/dm³; 1mm²/s

UNI EN ISO 9906:2012 - Grade 3B



Project	Project ID	Created by	Created on	Last update
			2021-08-05	

Revision no

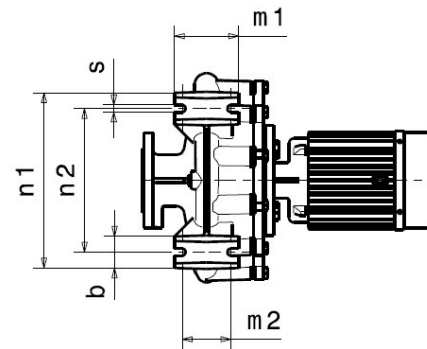
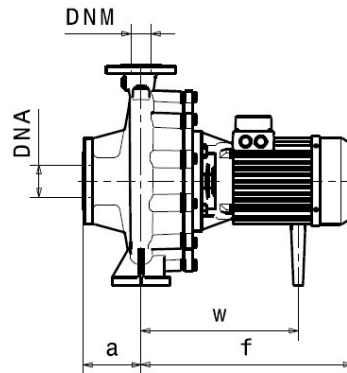
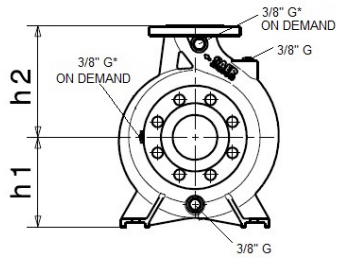
Pump dimensions

Connections

Suction side DN50 PN10 / PN16	Discharge port DN32 PN10 / PN16
-------------------------------------	---------------------------------------

Dimensions in mm

a	80		
b	50		
f	427		
h1	132		
h2	160		
m1	100		
m2	70		
n1	240		
n2	190		
s	14		
w	304		



Disegni dimensionali e immagini non vincolanti. Saer si riserva il diritto di effettuare cambiamenti senza alcun preavviso.
Dimensional drawing and picture are not binding. Saer reserves the right to make changes without prior notice.

Project

Project ID

Created by

Created on
2021-08-05

Last update