

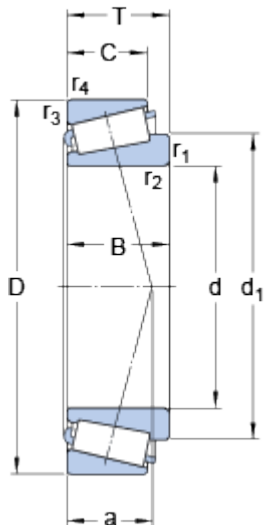
30212

SKF Explorer

Dimension series

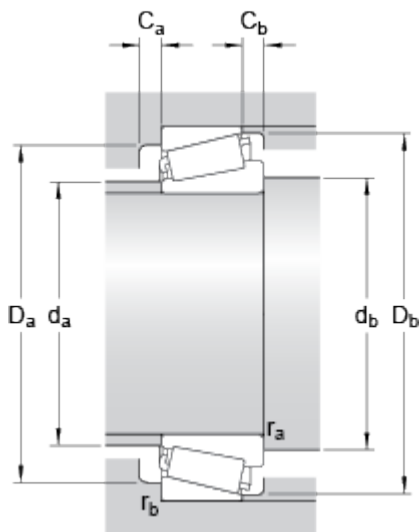
3 EB

Dimensions



d	60	mm
D	110	mm
T	23.75	mm
d ₁	≈ 80.9	mm
B	22	mm
C	19	mm
r _{1,2}	min. 2	mm
r _{3,4}	min. 1.5	mm
a	21.531	mm

Abutment dimensions



d _a	max. 70	mm
d _b	min. 70	mm
D _a	min. 96	mm
D _a	max. 101.5	mm
D _b	min. 103	mm
C _a	min. 3	mm
C _b	min. 4.5	mm
r _a	max. 2	mm

r_b

max.

mm

1.5**Calculation data**

Basic dynamic load rating	C	120	kN
Basic static load rating	C_0	114	kN
Fatigue load limit	P_u	13.2	kN
Reference speed		5000	r/min
Limiting speed		6000	r/min
Calculation factor	e	0.4	
Calculation factor	Y	1.5	
Calculation factor	Y_0	0.8	

Mass

Mass bearing		0.88	kg
--------------	--	-------------	----
