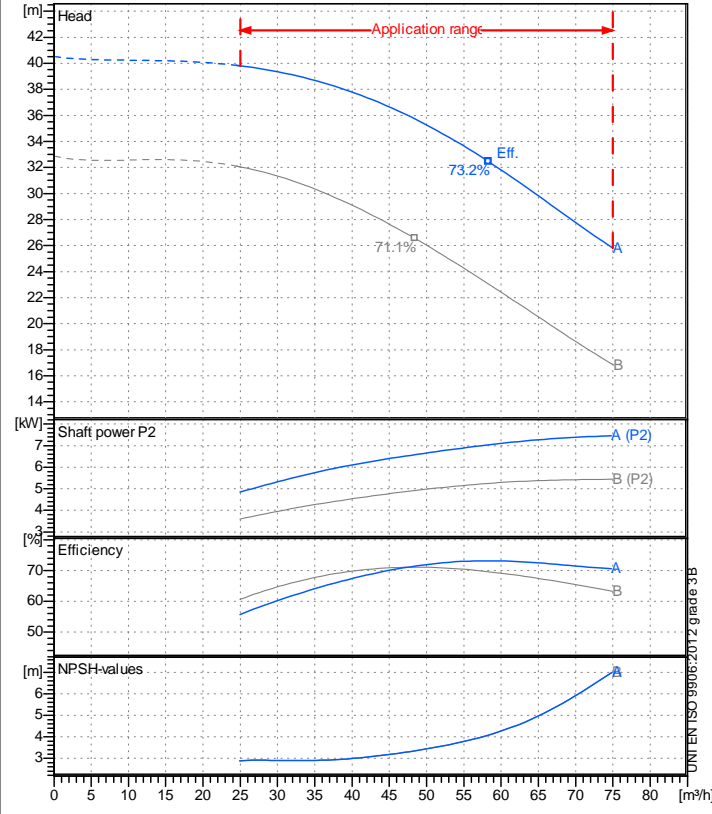


Company name
 Respons. Department
 Person in charge
 Phone number
 Fax no
 E-mail address

Receiver	From



Operating data specification

Nominal flow	m³/h 0
Nominal head	m 0
Static head	m 0
NPSH - v value of plant	m 0
Inlet pressure	bar 0.09793
Fluid	Water, pure
Operating temperature t A	°C 20
Density at t A	kg/dm³ 0.9983
Kin. viscosity at t A	mm²/s 1.005

Pump

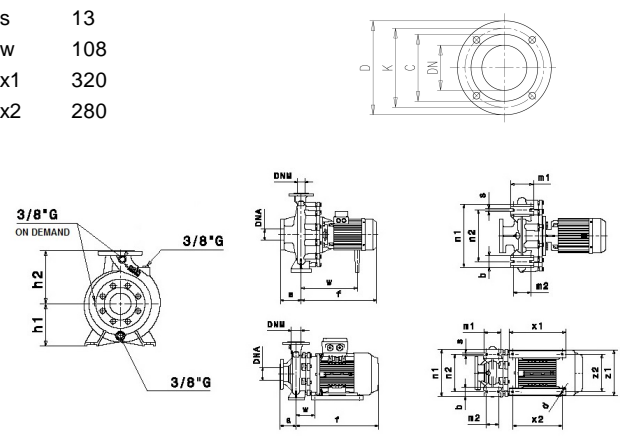
Pump name	IRX50-160A		
Size	65/50/160		
MEI (Reg. 547/2002 EU) >	0,4		
Speed 1/min	2900	No of stages	1
Impeller type			
Flow	Nominal	m³/h	
	Max-	m³/h	75
	Min-	m³/h	25
Head	Nominal	m	
	Max-	m	39.8
	Min-	m	25.8
Head H(Q=0)	m	40.5	
NPSH 3%	m		
Max. working pressure	bar	3.97	
Shaft power	kW		
Efficiency	%		
Max absorbed power	kW	7.4598	

Materials Pump

Shaft	Duplex Stainless steel (1.4362)
Impeller	Precision cast Stainless steel AISI 316 (1.4408)
Pump body	Cast Stainless steel AISI 316 (1.4408)
Seal disc	Cast Stainless steel AISI 316 (1.4408)
Gasket	Natural fiber
Mechanical seal	Q1Q1VG (SiC/SiC/FPM rubber)

Dimensions in mm

a	100	z1	261	DNM	DNA		
b	50	z2	216	C	102	C	122
d	12	D	165	D	185		
f	504	DN	50	DN	65		
h1	160	K	125	K	145		
h2	180	n°	4 x 19 mm		4 x 19 mm		
m1	100						
m2	71						
n1	265						
n2	212						
s	13						
w	108						
x1	320						
x2	280						



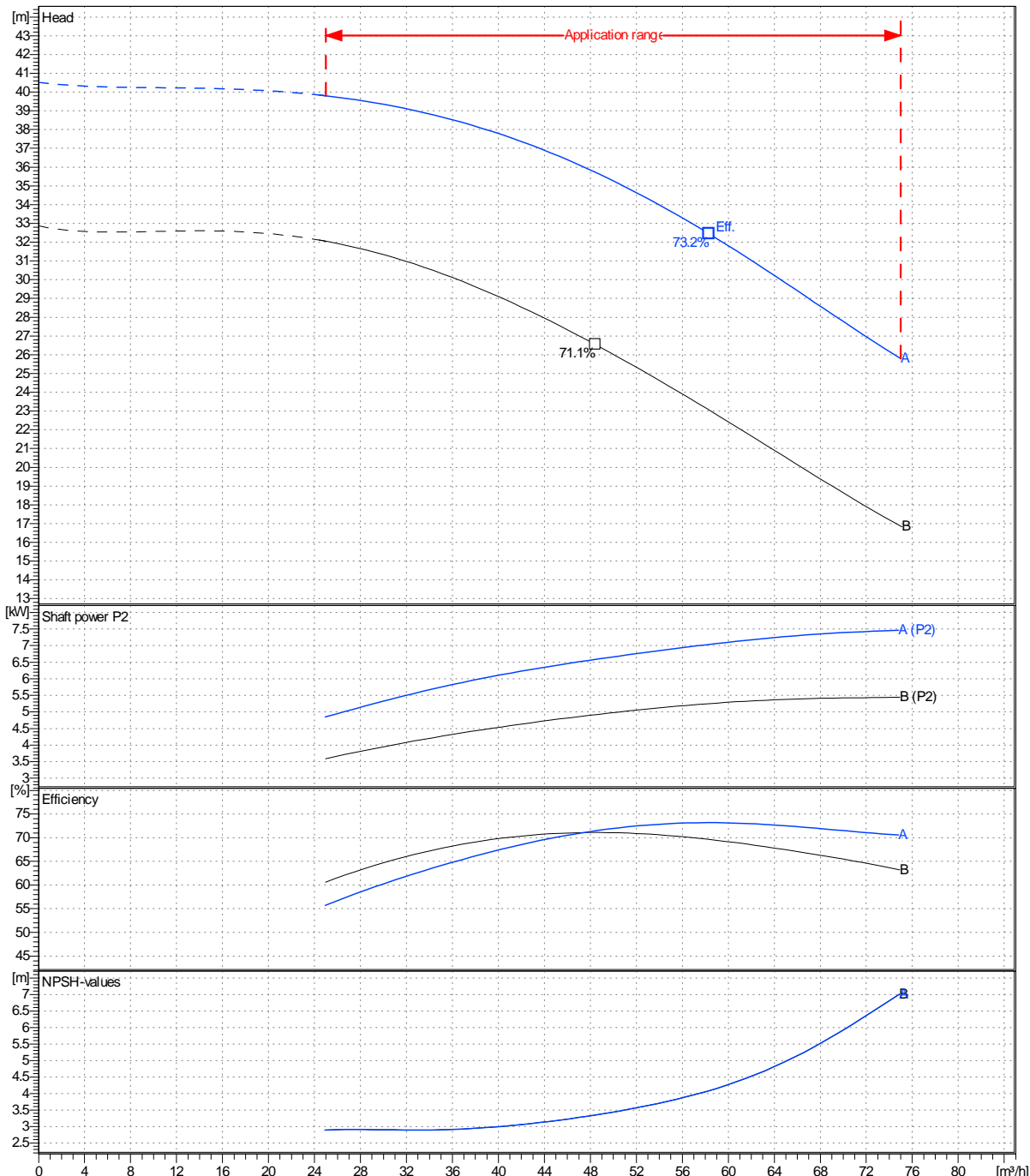
Motor	Manufacturer / Type	SAER	132-2P-10	
Efficiency	IEC 60034-30	IE3		
Rated power	kW 7.5	Efficiency 4/4	90.7 %	
Number of poles	2	Frame size	132	
Electric current	A 14.4 A	Speed	1/min 2949	
Electric voltage	V 400 V	3~	Hz 50	
Starting mode	Unknown			
Degree of protection	IP 55	Insulation class	F	

Remarks:				
Project	Project ID	Created by	Created on	Last update
			2021-08-05	

Receiver	From
Company name	
Respons. Department	
Person in charge	
Phone number	
Fax no	
E-mail address	

Operating area	Flow	Head	Impeller type
Operating data specification	0 m ³ /h	0 m	Impeller construction Sense of rotation
Pump data	m ³ /h	m	Closed Clockwise from the drive end
			Outlet width DN50
	Flow	Head	Shaft power P2
	Min. Max. η Max.	H(Q=0) η Max.	P2(Q=0) Max. η Max.
	m ³ /h m ³ /h m ³ /h	m m	kW kW kW
	25 75 58.3	40.5 32.4	7.46 7.04
			Speed 1/min 2900
			Frequency Hz 50 Hz

Performance data based to: Water, pure [100%] ; 20°C; 0.998kg/dm³; 1mm²/s UNI EN ISO 9906:2012 - Grade 3B



Project	Project ID	Created by	Created on 2021-08-05	Last update
---------	------------	------------	---------------------------------	-------------

Revision no

Pump dimensions

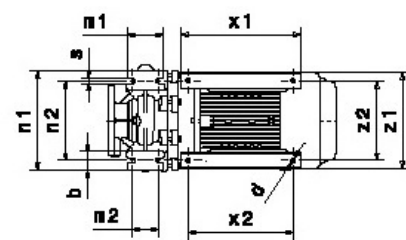
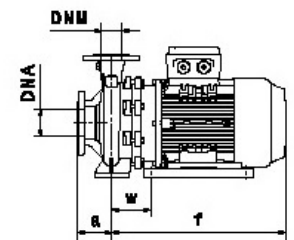
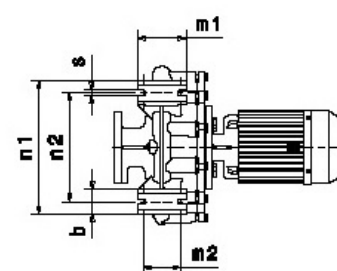
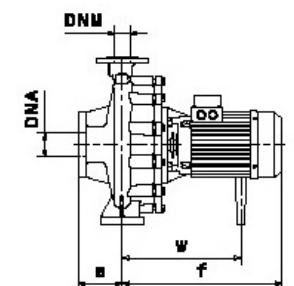
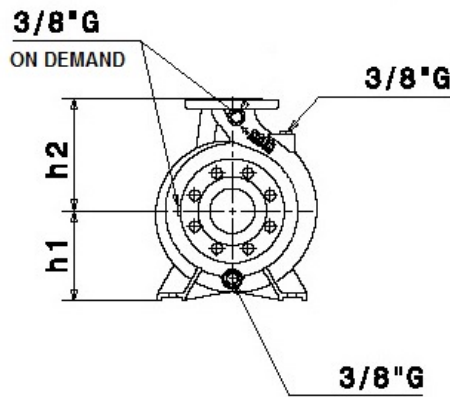
Connections

Suction side	Discharge port
DN65	DN50
PN10 / PN16	PN10 / PN16

Dimensions in mm

a
b
d
f
h1
h2
m1
m2
n1
n2
s
w
x1
x2
z1
z2

100
50
12
504
160
180
100
71
265
212
212
13
108
320
280
261
216



Disegni dimensionali e immagini non vincolanti. Saer si riserva il diritto di effettuare cambiamenti senza alcun preavviso.
Dimensional drawing and picture are not binding. Saer reserves the right to make changes without prior notice.