

Receiver

From

Society
Reference
Address
Phone
Fax
E-mail

Item n° :

60150968

Model :

EVOPLUS B 150/250.40 M

Pump data

Pressure rating : 1,6 MPa
Min. fluid temperature : -10 °C
Max. fluid temperature : 110 °C
EEI : ≤ 0,20

Minimum suction head :

Temperature °C 90 100

Minimum suction head : m 20 25

Requested data

Flow :
Head :
Fluid (%) :
Fluid Temperature : 20 °C
Density : 998,3 kg/m³
Kinematic viscosity : 1,005 mm²/s
Vapor pressure : 2,34 kPa

Hydraulic data (duty point)

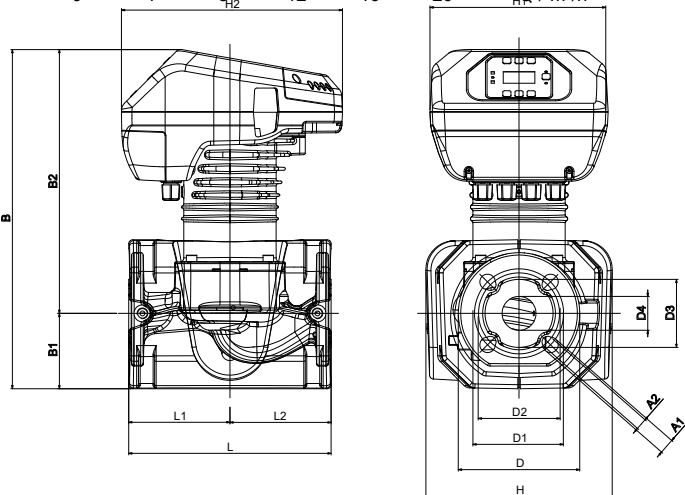
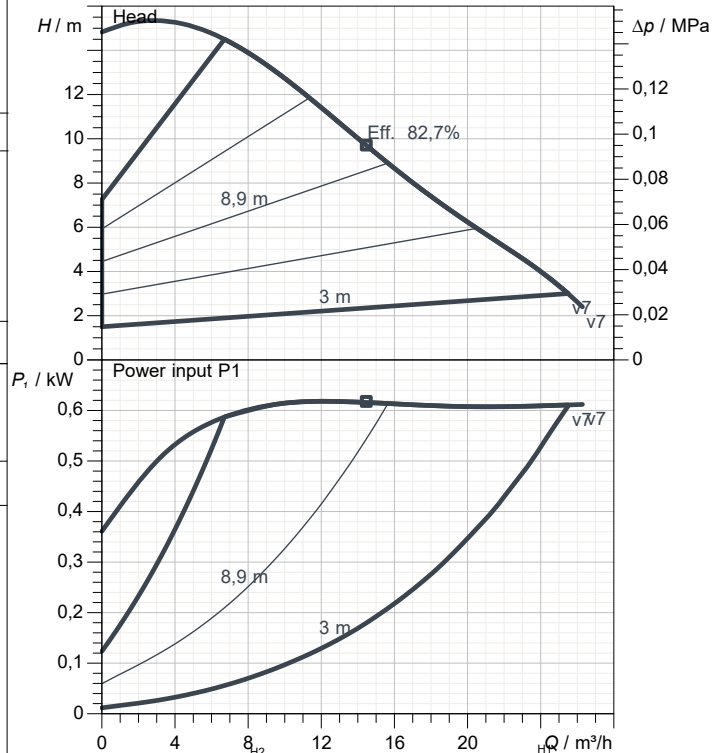
Flow :

Head :

Materials

Pump body Cast iron 250 UNI ISO 185 - CTF
Impeller Technopolymer
Motor shaft Stainless steel
Seal ring EPDM
Motor casing Die cast aluminium
Closing flange Stainless steel
Thrust ring support Stainless steel

Curve tolerance according to ISO 9906



Motor data

Motor brand : DAB
Power input P1 : 0,61 kW
Rated voltage : 1~ 220-240 V 50 Hz
Nominal current : 2,9 A
Degree of protection : IP 44

Dimensions in mm

A1	19	D1	110	H2	273		
A2	14	D2	100	L	250		
B	419	D3	84	L1	125		
B1	93	D4	42	L2	125		
B2	326	H	230				
D	150	H1	220				

Weight : 20 kg

Pump connection

Suction side : DN 40 / PN6, PN10, PN16
Discharge side : DN 40 / PN6, PN10, PN16

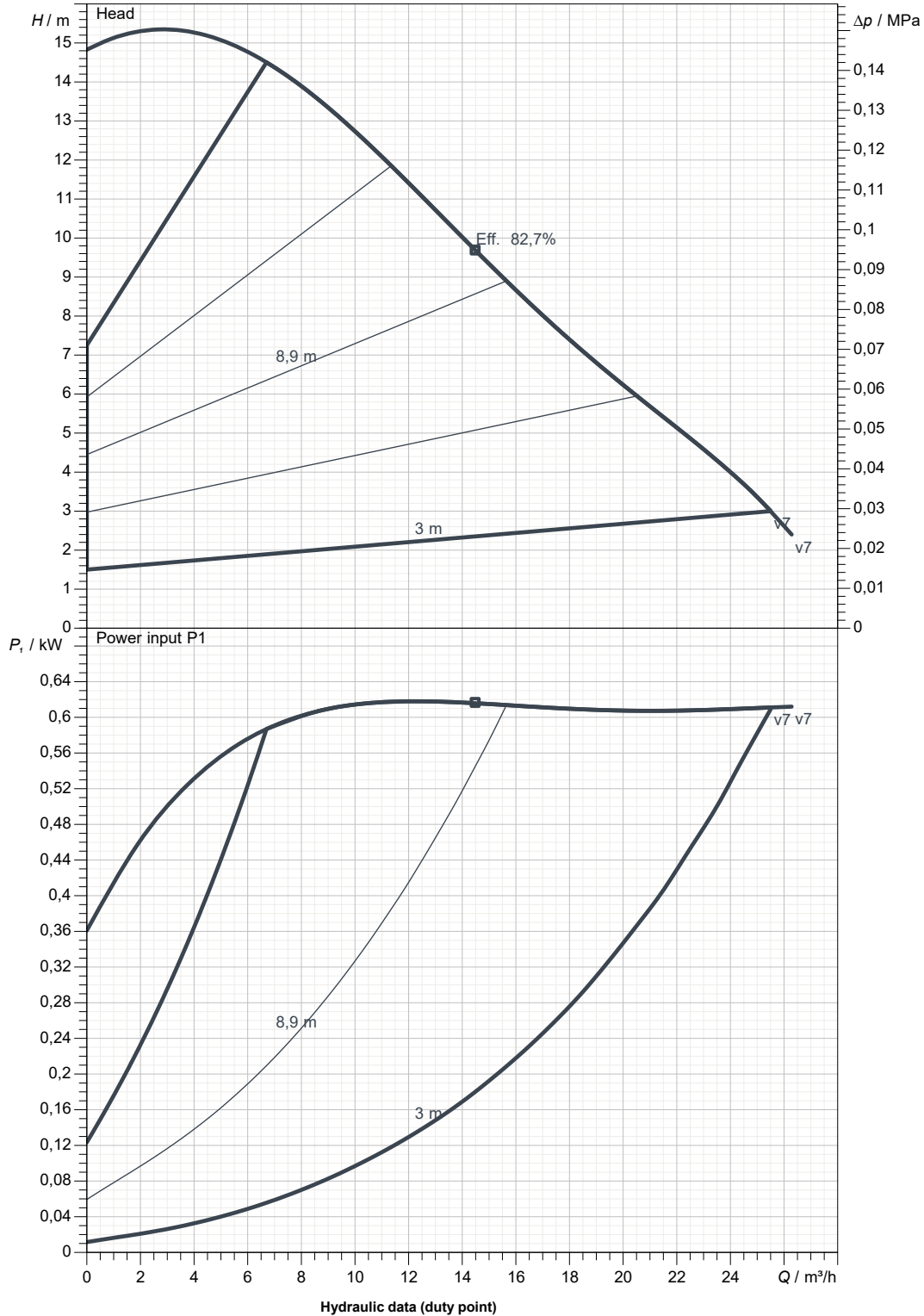
Receiver

From

 Society
 Reference
 Address
 Phone
 Fax
 E-mail

EVOPLUS B 150/250.40 M

Curve tolerance according to ISO 9906


 Suction side :
 DN 40
 PN6, PN10, PN16

 Discharge side :
 DN 40
 PN6, PN10, PN16

Flow :

Head :

 Rated speed :
 2.900 1/min

MAIN_PROJECT_TITLE

BUSINESS_PROCESS_ID

OWNER_

ISSUE_DATE



DIMENSIONAL DRAWING

2020-04-27

Page 3 / 3

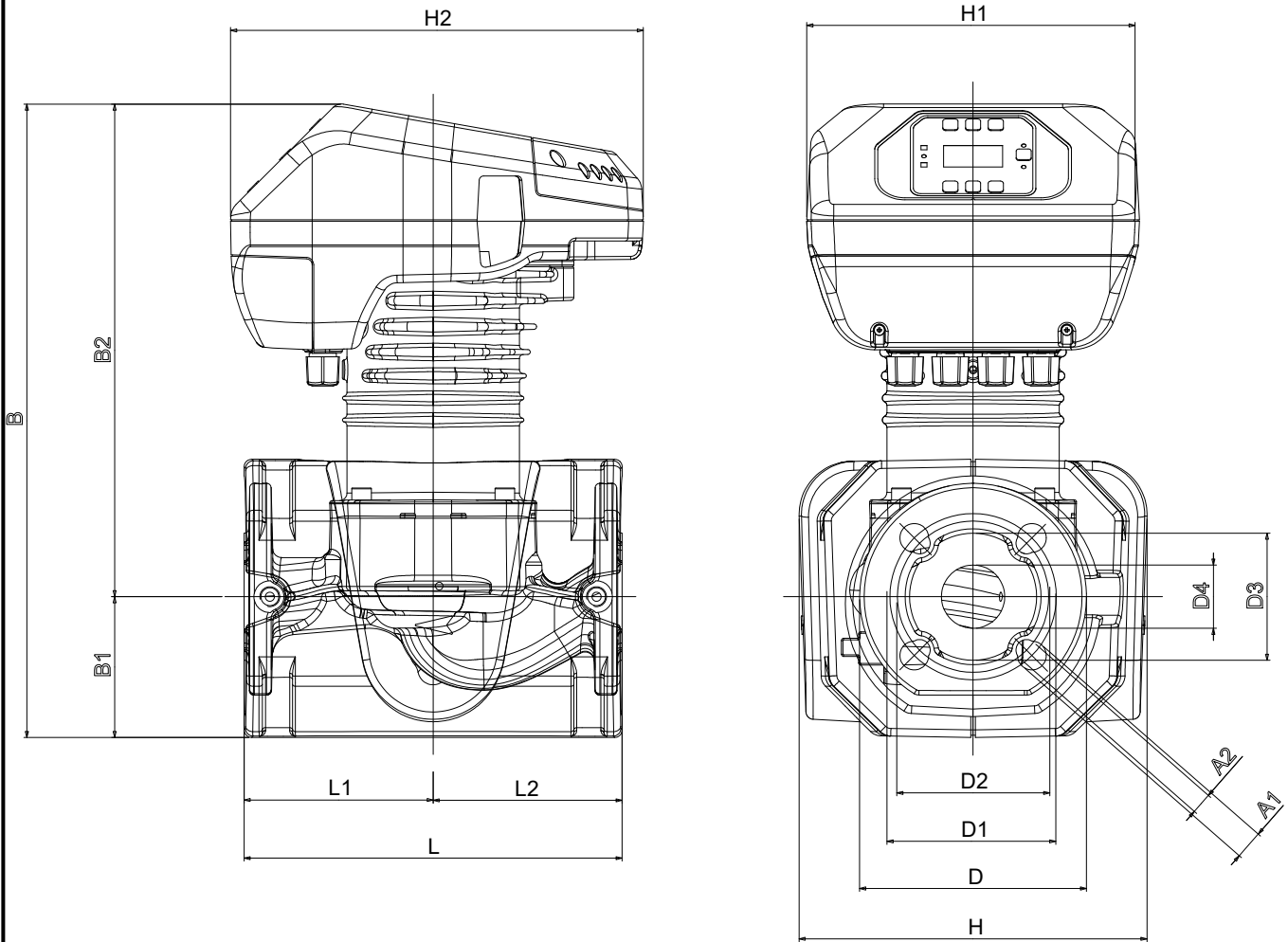
DAB PUMPS S.p.A.
Via Marco Polo, 14 - 35035 Mestrino (PD), Italy
Tel. +39 049 5125000 - Fax +39 049 5125950
www.dabpumps.com

Receiver

From

Society
Reference
Address
Phone
Fax
E-mail

EVOPLUS B 150/250.40 M



Dimensions in mm					Pump connection	
1	A1	19	H2	273	Suction DN 40 PN6, PN10, PN16 Discharge DN 40 PN6, PN10, PN16	
2	A2	14	L	250		
3	B	419	L1	125		
4	B1	93	L2	125		
5	B2	326				
6	D	150				
7	D1	110				
8	D2	100				
9	D3	84				
10	D4	42				
11	H	230				
12	H1	220				

MAIN_PROJECT_TITLE	BUSINESS_PROCESS_ID	OWNER	ISSUE_DATE
--------------------	---------------------	-------	------------