



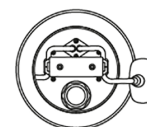
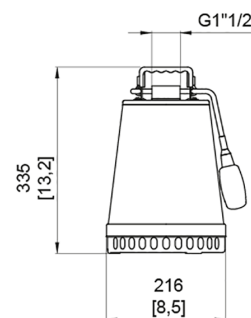
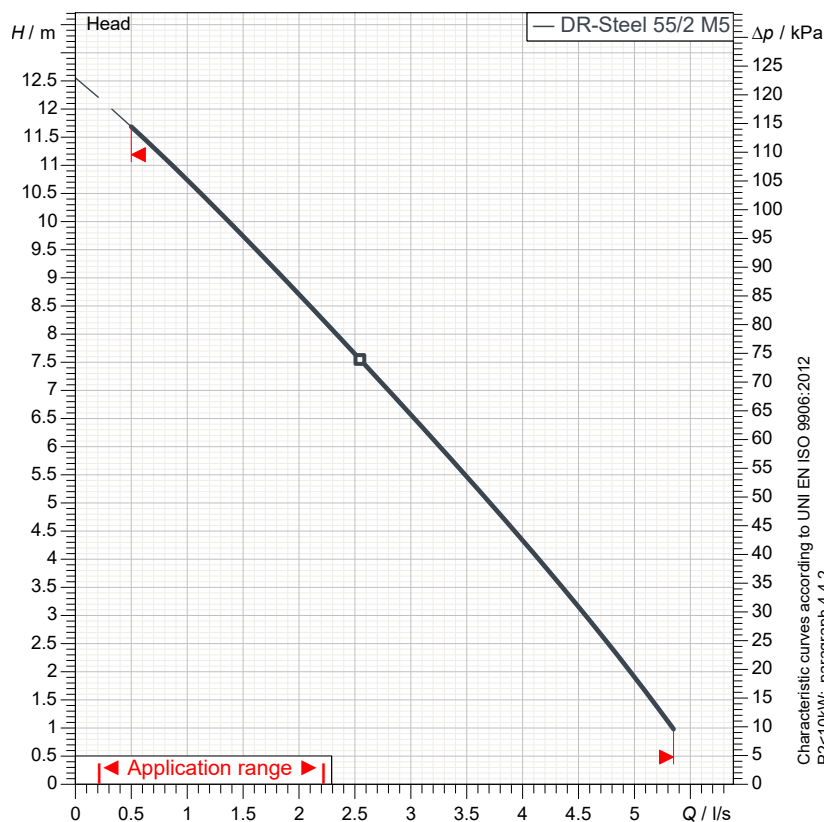
better together

Data sheet DR-Steel 55 M5

**Steel
series**

Technical specification

1~ 50 Hz



[mm
[inch]

Pump

| | |
|---------------|----------------|
| Series | Steel series |
| Pump name | DR-Steel 55 M5 |
| Configuration | 0 TG5H2300NN |
| Standard | EN 809:2009 |

Motor data

| | |
|----------------------|------------|
| Rated voltage | 230 V |
| Frequency | 50 Hz |
| Motor phases | 1~ |
| Number of poles | 2 |
| Rated power P2 | 0.55 kW |
| Incoming power P1 | 1.00 kW |
| Rated current | 4.3 A |
| rpm | 2900 1/min |
| cos φ | 0.97 |
| Rated torque | 1.8 Nm |
| Start | |
| Degree of protection | IP 68 |
| Insulation class | F |

Hydraulic

| | |
|---------------------------|-------------------------|
| Type | DR (Multi-channel open) |
| Free passage | 12 mm |
| Impeller type | Open channel impeller |
| Max. hydraulic efficiency | |
| Suction | - |
| Discharge | G 1" 1/2 - |
| Curve tolerance | UNI EN ISO 9906:2012 |

Operating limits (standard pumps)

| | |
|---|------------------------|
| Max. ambient temperature | 40 °C |
| Max. density treated liquid | 1100 kg/m ³ |
| Max. immersion depth | 10 m |
| pH treated liquid | 6 ÷ 14 |
| Max. start per hour (equally distributed) | 30 |
| Wet/dry use | WET |
| Max. acoustic pressure level | 70 dB |
| Operating mode | S1 - Continuous use |

Construction materials

| | |
|-----------|-------------------------------|
| Case | Stainless steel - AISI 304 |
| Shaft | Stainless steel AISI 431 |
| Hydraulic | Stainless steel - AISI 304 |
| Impeller | Stainless steel - AISI 304 |
| Screws | Stainless steel - Class A2-70 |
| Gaskets | NBR |
| Strainer | Stainless steel - AISI 304 |

Construction features

| | |
|--------------------|---|
| Main cable | 3G1 |
| Cable length | 5 mt - Shuko plug |
| Mechanical seals | 1 in silicon carbide (SiC) and 1 in alumina graphite (AL) |
| Weight* | 7.7 kg |
| Electrical variant | Thermal protection, capacitor and float switch (on the motor cover) |

* cable and fixing system excluded



better together

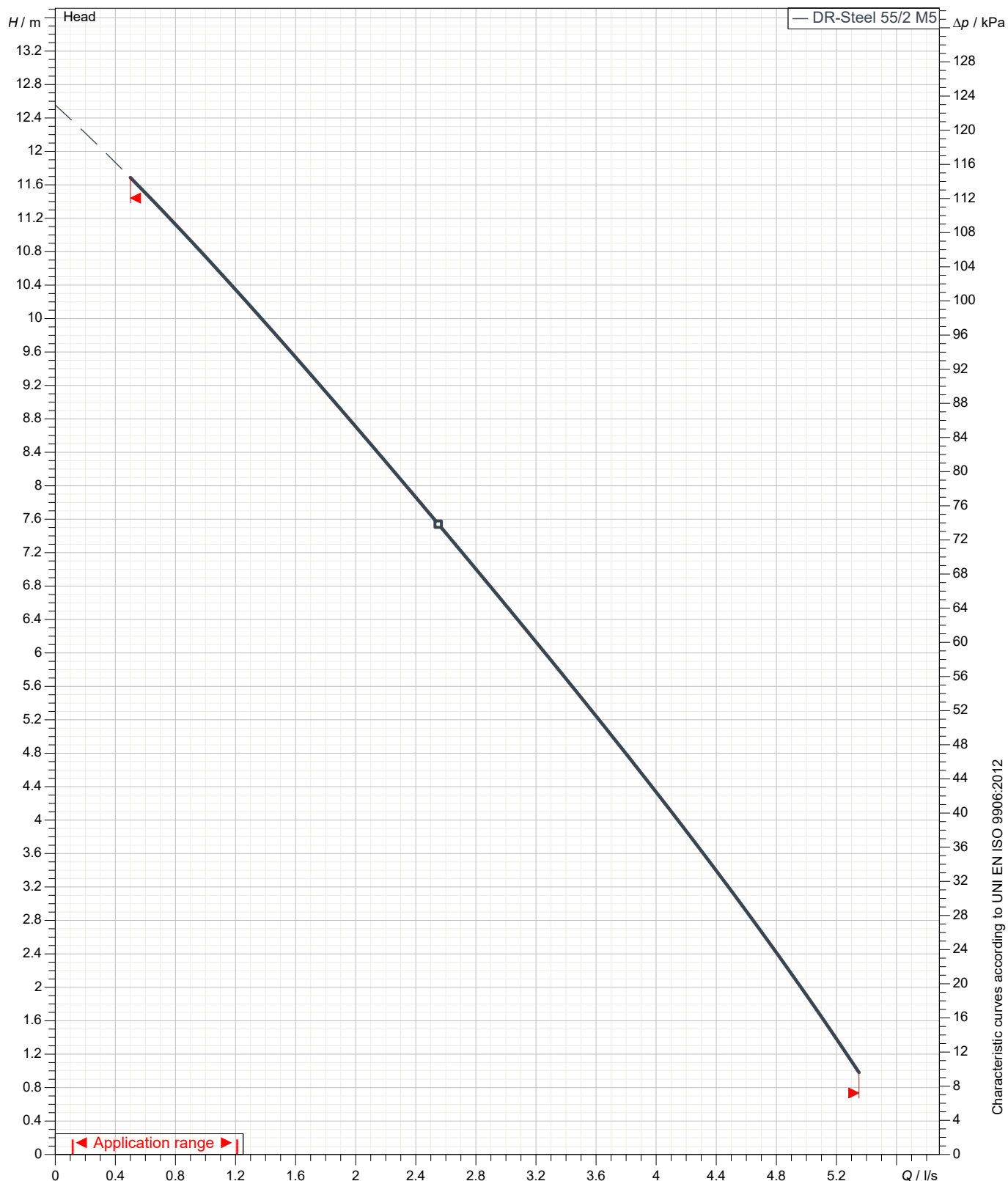
Data sheet DR-Steel 55 M5

Steel
series

Pump performance curves

1~ 50 Hz

| | | | | | | |
|---|------|--|----------------------|------------------------------------|---------------------------------------|--------------|
| Hydraulic type DR (Multi-channel open) | | Impeller type Open channel impeller | | Free passage 12 mm | Discharge G 1" 1/2 | Suction - |
| DUTY POINT | | | | | | |
| Flow | Head | Shaft power P2 | Hydraulic efficiency | Density 998.3 kg/m ³ | Viscosity 1.005 mm ² /s | |



Characteristic curves according to UNI EN ISO 9906:2012
 P2 < 10kW: paragraph 4.4.2
 10kW < P2 < 100kW: Grade 3B
 P2 > 100kW: Grade 2B



better together

Data sheet
DR-Steel 55 M5

Steel
series

Dimensional drawing

1~ 50 Hz

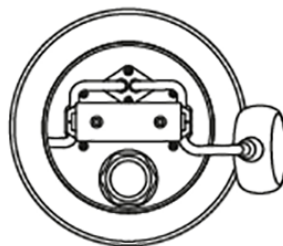
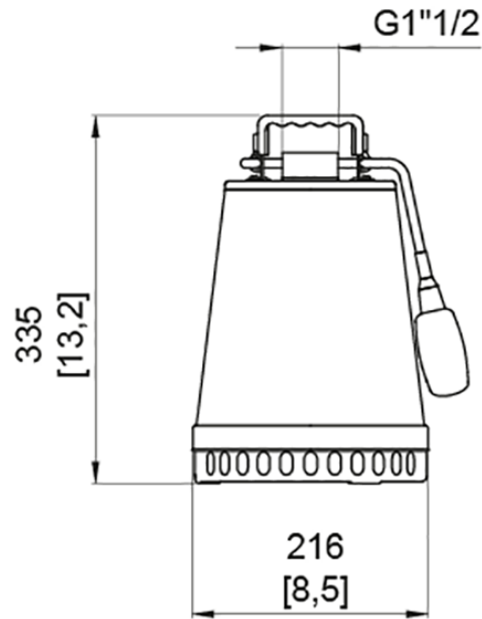
Installation type Free Installation

WET/DRY use: WET

Discharge: G 1" 1/2 -

Suction: -

Pressure rating (suction/discharge): -



[mm
[inch]]